

TERA

Inground
Lighting
Series



Adjustable



Depth Illuminant
(Fixed)



COB



COB
(Asymmetrical)

TERA

High Power Adjustable Inground Series

Tera Alpha (Adjustable)



IK05	DMX	PHASE	1-10V	DALI
IP67	2-3step McAdam <small>(optional)</small>	Driver Included	Operating Hours > 100,000	L70 > 50,000 Hours
CRI 80 90 90+	OPERATION TEMP -20°C to 50°C!	5 Years warranty	RoHS	CE

SPECIFICATIONS

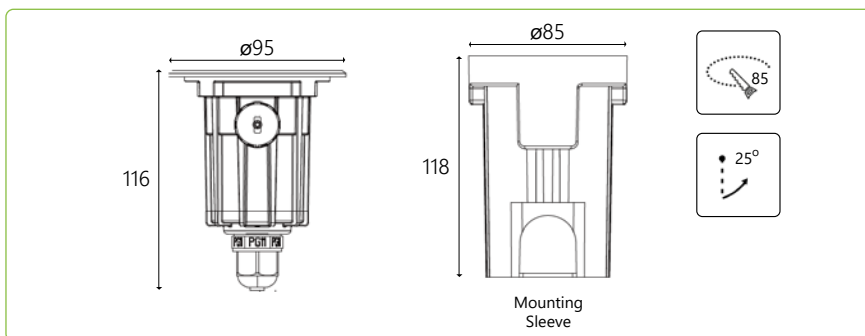
Product Code	LED Output (lm)	LED Power	Efficiency (lm/W)	IP Rating	IK Rating
LY-IG-TEAA-2W-①-②-③-④	140 (@2700K)	1 x 2W (White) 1 x 3W (RGB) 1 x 4W (RGBW)	70 (@2700K)	67	05

CUSTOMIZABLE SPECIFICATIONS

① Beam Angle	② Colour Temperature	③ Input Voltage	④ Dimming
25D 40D 60D	27 (2700K) 30 (3000K) 40 (4000K) 60 (6000K) RGB RGBW	24V (24Vdc) 240V (240Vac - White Only)	ND (Non-Dimming) DA (Dali) D0 (0-10V) PH (Phase) DMX (DMX 512)

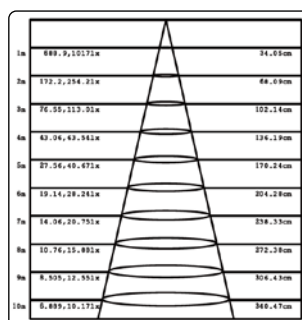
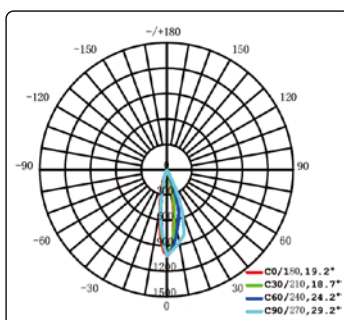
(Example Code Format: LY-IG-TEAA-2W-25D-27-24V-ND)

DIMENSIONS (MM) & LIGHT DISTRIBUTION



LENS ACCESSORY

	Product Code LY-IG-TEAA-HC
	Product Code LY-IG-TEAA-PS
	Product Code LY-IG-TEAA-LS
	Product Code LY-IG-TEAA-CF



TERA

High Power Adjustable Inground Series

Tera Beta (Adjustable)



IK05	DMX	PHASE	1-10V	DALI
IP67	2-3 step McAdam <small>(optional)</small>	Driver Included	Operating Hours > 100,000	L70 > 50,000 Hours
CRI 80 90 90+	OPERATION TEMP -20°C to 50°C!	5 Years warranty	RoHS	CE

SPECIFICATIONS

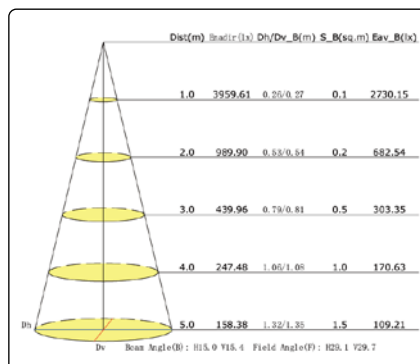
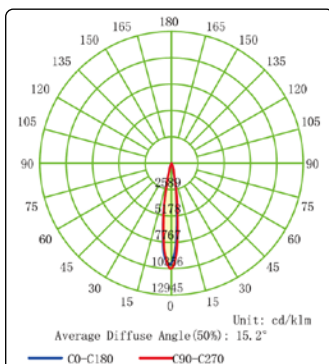
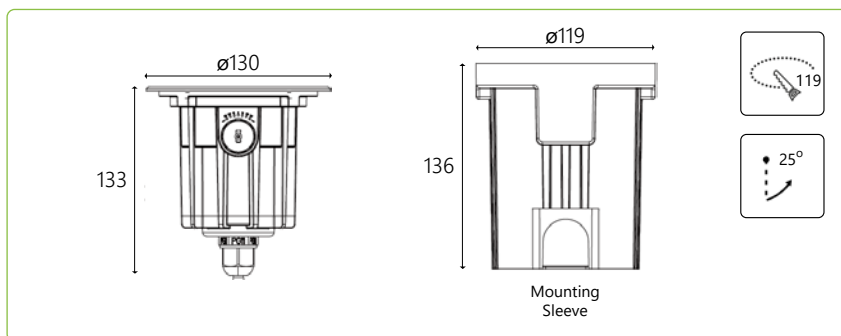
Product Code	LED Output (lm)	LED Power	Efficiency (lm/W)	IP Rating	IK Rating
LY-IG-TEAB-6W-①-②-③-④	420 (@2700K)	3 x 2W (White) 3 x 3W (RGB) 3 x 4W (RGBW)	70 (@2700K)	67	05

CUSTOMIZABLE SPECIFICATIONS

① Beam Angle	② Colour Temperature	③ Input Voltage	④ Dimming
25D 40D 60D	27 (2700K) 30 (3000K) 40 (4000K) 60 (6000K) RGB RGBW	24V (24Vdc) 240V (240Vac - White Only)	ND (Non-Dimming) DA (Dali) D0 (0-10V) PH (Phase) DMX (DMX 512)

(Example Code Format: LY-IG-TEAB-6W-25D-27-24V-ND)

DIMENSIONS (MM) & LIGHT DISTRIBUTION



LENS ACCESSORY

	Product Code LY-IG-TEAB-HC
	Product Code LY-IG-TEAB-PS
	Product Code LY-IG-TEAB-LS
	Product Code LY-IG-TEAB-CF

TERA

High Power Adjustable Inground Series

Tera Gamma (Adjustable)



IK05	DMX	PHASE	1-10V	DALI
IP67	2-3step McAdam <small>(optional)</small>	Driver Included	Operating Hours > 100,000	L70 > 50,000 Hours
CRI 80 90 90+	OPERATION TEMP -20°C to 50°C!	5 Years warranty	RoHS	CE

SPECIFICATIONS

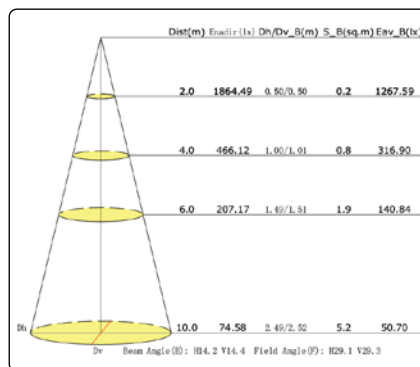
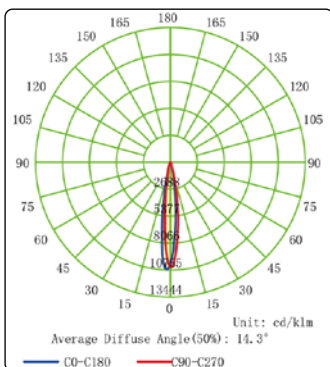
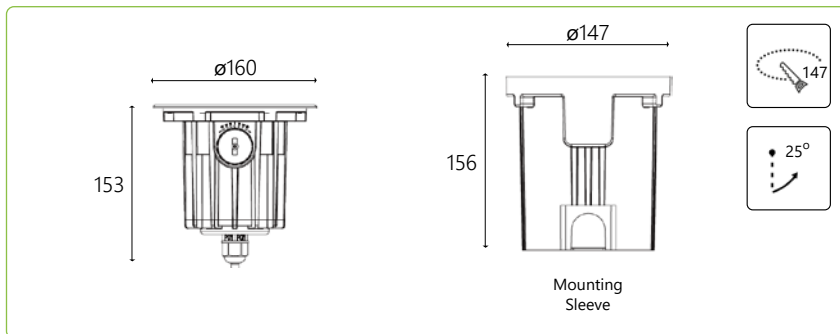
Product Code	LED Output (lm)	LED Power	Efficiency (lm/W)	IP Rating	IK Rating
LY-IG-TEAG-12W-①-②-③-④	840 (@2700K)	6 x 2W (White) 4 x 3W (RGB) 4 x 4W (RGBW)	70 (@2700K)	67	05

CUSTOMIZABLE SPECIFICATIONS

① Beam Angle	② Colour Temperature	③ Input Voltage	④ Dimming
25D 40D 60D	27 (2700K) 30 (3000K) 40 (4000K) 60 (6000K) RGB RGBW	24V (24Vdc) 240V (240Vac - White Only)	ND (Non-Dimming) DA (Dali) D0 (0-10V) PH (Phase) DMX (DMX 512)

(Example Code Format: LY-IG-TEAG-12W-25D-27-24V-ND)

DIMENSIONS (MM) & LIGHT DISTRIBUTION



LENS ACCESSORY

	Product Code LY-IG-TEAG-HC
	Product Code LY-IG-TEAG-PS
	Product Code LY-IG-TEAG-LS
	Product Code LY-IG-TEAG-CF

TERA

High Power Adjustable Inground Series

Tera Delta (Adjustable)



IK05	DMX	PHASE	1-10V	DALI
IP67	2-3step McAdam <small>(optional)</small>	Driver Included	Operating Hours > 100,000	L70 > 50,000 Hours
CRI 80 90 90+	OPERATION TEMP -20°C to 50°C!	5 Years warranty	RoHS	CE

SPECIFICATIONS

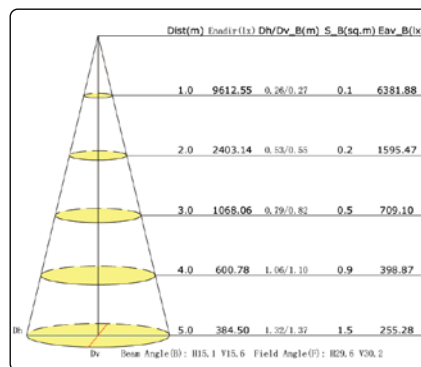
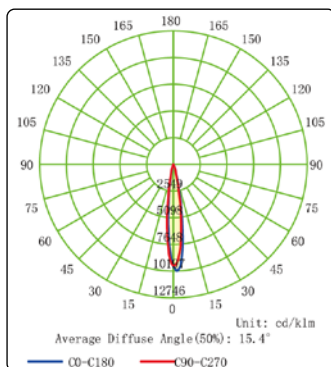
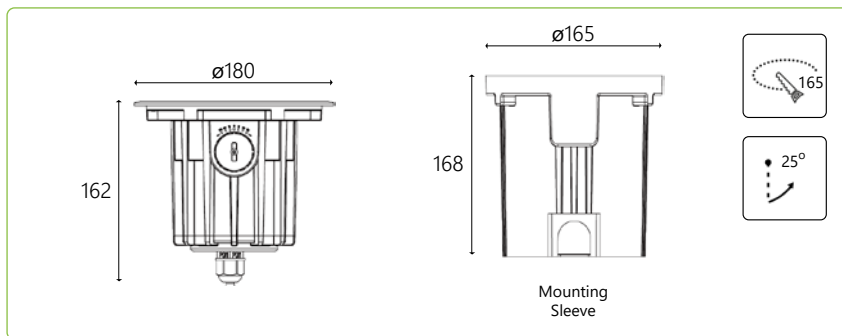
Product Code	LED Output (lm)	LED Power	Efficiency (lm/W)	IP Rating	IK Rating
LY-IG-TEAD-18W-①-②-③-④	1260 (@2700K)	9 x 2W (White) 6 x 3W (RGB) 6 x 4W (RGBW)	70 (@2700K)	67	05

CUSTOMIZABLE SPECIFICATIONS

① Beam Angle	② Colour Temperature	③ Input Voltage	④ Dimming
25D 40D 60D	27 (2700K) 30 (3000K) 40 (4000K) 60 (6000K) RGB RGBW	24V (24Vdc) 240V (240Vac - White Only)	ND (Non-Dimming) DA (Dali) D0 (0-10V) PH (Phase) DMX (DMX 512)

(Example Code Format: LY-IG-TEAD-18W-25D-27-24V-ND)

DIMENSIONS (MM) & LIGHT DISTRIBUTION



LENS ACCESSORY

	Product Code LY-IG-TEAD-HC
	Product Code LY-IG-TEAD-PS
	Product Code LY-IG-TEAD-LS
	Product Code LY-IG-TEAD-CF

TERA

High Power Adjustable Inground Series

Tera Epsilon (Adjustable)



IK05	DMX	PHASE	1-10V	DALI
IP67	2-3step McAdam <small>(optional)</small>	Driver Included	Operating Hours > 100,000	L70 > 50,000 Hours
CRI 80 90 90+	OPERATION TEMP -20°C to 50°C!	5 Years warranty	RoHS	CE

SPECIFICATIONS

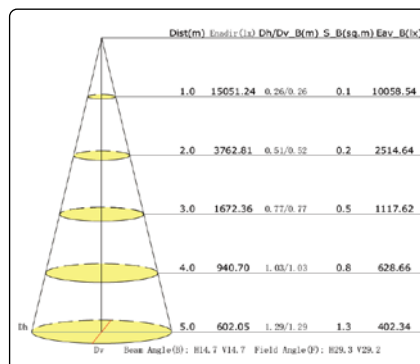
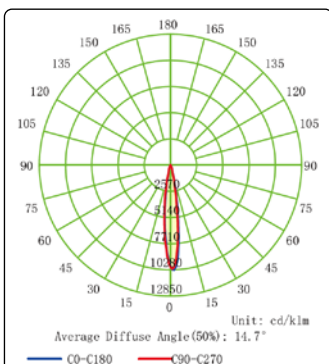
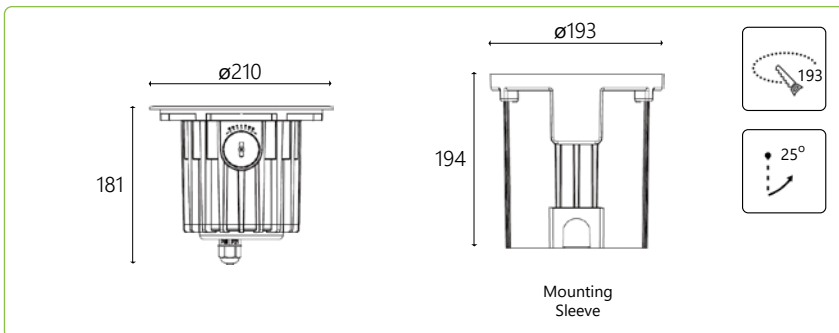
Product Code	LED Output (lm)	LED Power	Efficiency (lm/W)	IP Rating	IK Rating
LY-IG-TEAE-24W-①-②-③-④	1680 (@2700K)	12 x 2W (White) 9 x 3W (RGB) 9 x 4W (RGBW)	70 (@2700K)	67	05

CUSTOMIZABLE SPECIFICATIONS

① Beam Angle	② Colour Temperature	③ Input Voltage	④ Dimming
25D 40D 60D	27 (2700K) 30 (3000K) 40 (4000K) 60 (6000K) RGB RGBW	24V (24Vdc) 240V (240Vac - White Only)	ND (Non-Dimming) DA (Dali) D0 (0-10V) PH (Phase) DMX (DMX 512)

(Example Code Format: LY-IG-TEAE-24W-25D-27-24V-ND)

DIMENSIONS (MM) & LIGHT DISTRIBUTION



LENS ACCESSORY

	Product Code LY-IG-TEAE-HC
	Product Code LY-IG-TEAE-PS
	Product Code LY-IG-TEAE-LS
	Product Code LY-IG-TEAE-CF

TERA

High Power Adjustable Inground Series

Tera Zeta (Adjustable)



IK05	DMX	PHASE	1-10V	DALI
IP67	2-3step McAdam <small>(optional)</small>	Driver Included	Operating Hours > 100,000	L70 > 50,000 Hours
CRI 80 90 90+	OPERATION TEMP -20°C to 50°C!	5 Years warranty	RoHS	CE

SPECIFICATIONS

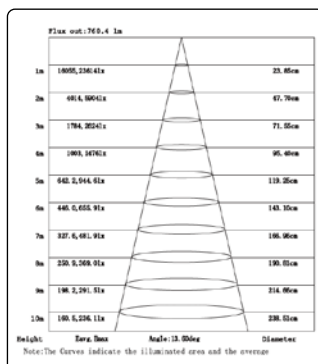
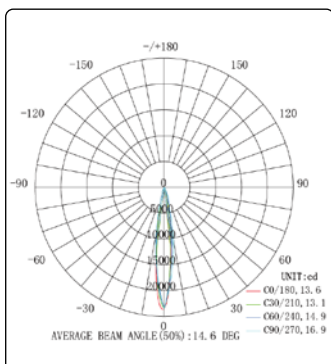
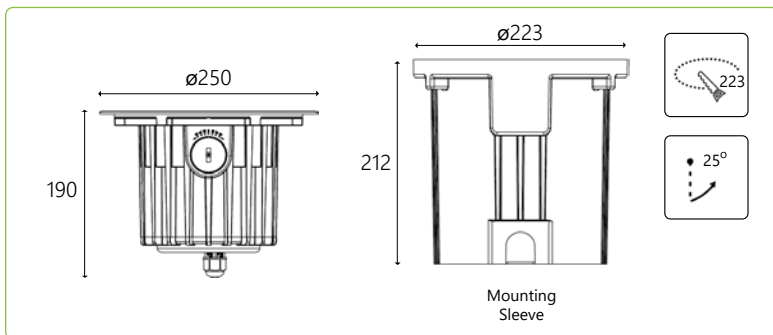
Product Code	LED Output (lm)	LED Power	Efficiency (lm/W)	IP Rating	IK Rating
LY-IG-TEAZ-32.4W-①-②-③-④	2268 (@2700K)	18 x 1.8W (White) 12 x 3W (RGB) 12 x 4W (RGBW)	70 (@2700K)	67	05

CUSTOMIZABLE SPECIFICATIONS

① Beam Angle	② Colour Temperature	③ Input Voltage	④ Dimming
25D 40D 60D	27 (2700K) 30 (3000K) 40 (4000K) 60 (6000K) RGB RGBW	24V (24Vdc) 240V (240Vac - White Only)	ND (Non-Dimming) DA (Dali) D0 (0-10V) PH (Phase) DMX (DMX 512)

(Example Code Format: LY-IG-TEAZ-32.4W-25D-27-24V-ND)

DIMENSIONS (MM) & LIGHT DISTRIBUTION



LENS ACCESSORY

	Product Code LY-IG-TEAZ-HC
	Product Code LY-IG-TEAZ-PS
	Product Code LY-IG-TEAZ-LS
	Product Code LY-IG-TEAZ-CF

TERA

High Power Depth Illuminant Inground Series

Tera Alpha (Fixed)



IK05	DMX	PHASE	1-10V	DALI
IP67	2-3 step McAdam <small>(optional)</small>	Driver Included	Operating Hours > 100,000	L70 > 50,000 Hours
CRI 80 90 90+	OPERATION TEMP -20°C to 50°C!	5 Years warranty	RoHS	CE

SPECIFICATIONS

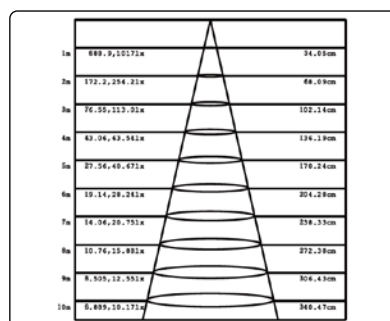
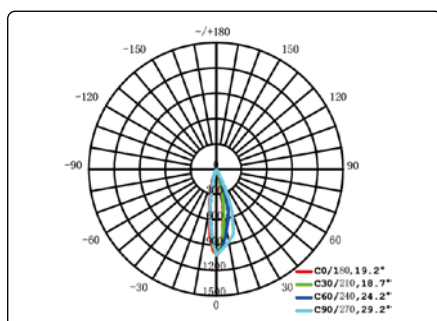
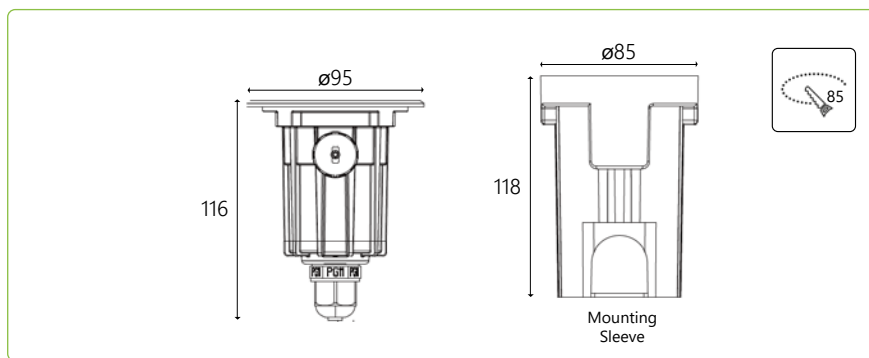
Product Code	LED Output (lm)	LED Power	Efficiency (lm/W)	IP Rating	IK Rating
LY-IG-TEFA-2W-①-②-③-④	140 (@2700K)	1 x 2W (White) 1 x 3W (RGB) 1 x 4W (RGBW)	70 (@2700K)	67	05

CUSTOMIZABLE SPECIFICATIONS

① Beam Angle	② Colour Temperature	③ Input Voltage	④ Dimming
25D 40D 60D	27 (2700K) 30 (3000K) 40 (4000K) 60 (6000K) RGB RGBW	24V (24Vdc) 240V (240Vac - White Only)	ND (Non-Dimming) DA (Dali) D0 (0-10V) PH (Phase) DMX (DMX 512)

(Example Code Format: LY-IG-TEFA-2W-25D-27-24V-ND)

DIMENSIONS (MM) & LIGHT DISTRIBUTION



LENS ACCESSORY

	Product Code LY-IG-TEFA-HC
	Product Code LY-IG-TEFA-PS
	Product Code LY-IG-TEFA-LS
	Product Code LY-IG-TEFA-CF

TERA

High Power Depth Illuminant Inground Series

Tera Beta (Fixed)



IK05	DMX	PHASE	1-10V	DALI
IP67	2-3step McAdam <small>(optional)</small>	Driver Included	Operating Hours > 100,000	L70 > 50,000 Hours
CRI 80 90 90+	OPERATION TEMP -20°C to 50°C!	5 Years warranty	RoHS	CE

SPECIFICATIONS

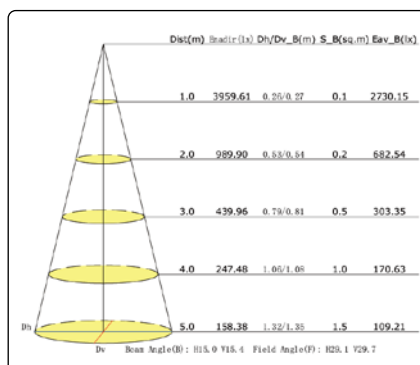
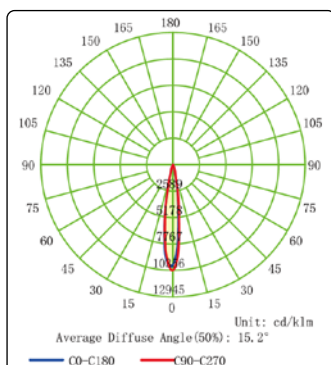
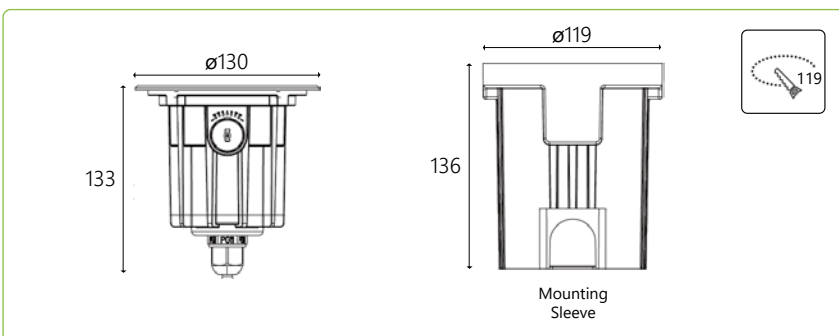
Product Code	LED Output (lm)	LED Power	Efficiency (lm/W)	IP Rating	IK Rating
LY-IG-TEFB-6W-①-②-③-④	420 (@2700K)	3 x 2W (White) 3 x 3W (RGB) 3 x 4W (RGBW)	70 (@2700K)	67	05

CUSTOMIZABLE SPECIFICATIONS

① Beam Angle	② Colour Temperature	③ Input Voltage	④ Dimming
25D 40D 60D	27 (2700K) 30 (3000K) 40 (4000K) 60 (6000K) RGB RGBW	24V (24Vdc) 240V (240Vac - White Only)	ND (Non-Dimming) DA (Dali) D0 (0-10V) PH (Phase) DMX (DMX 512)

(Example Code Format: LY-IG-TEFB-6W-25D-27-24V-ND)

DIMENSIONS (MM) & LIGHT DISTRIBUTION



LENS ACCESSORY

	Product Code LY-IG-TEFB-HC
	Product Code LY-IG-TEFB-PS
	Product Code LY-IG-TEFB-LS
	Product Code LY-IG-TEFB-CF

TERA

High Power Depth Illuminant Inground Series

Tera Gamma (Fixed)



IK05	DMX	PHASE	1-10V	DALI
IP67	2-3step McAdam <small>(optional)</small>	Driver Included	Operating Hours > 100,000	L70 > 50,000 Hours
CRI 80 90 90+	OPERATION TEMP -20°C to 50°C!	5 Years warranty	RoHS	CE

SPECIFICATIONS

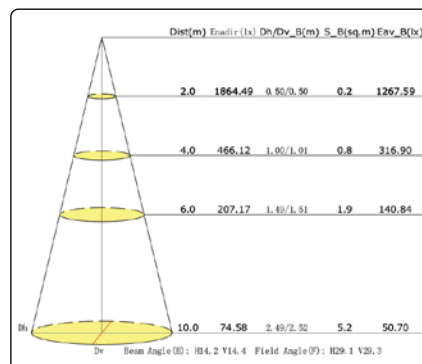
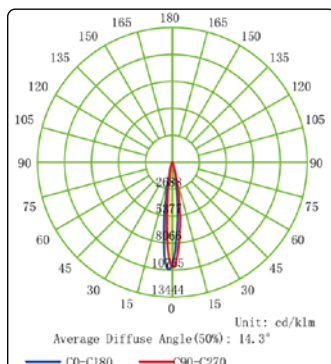
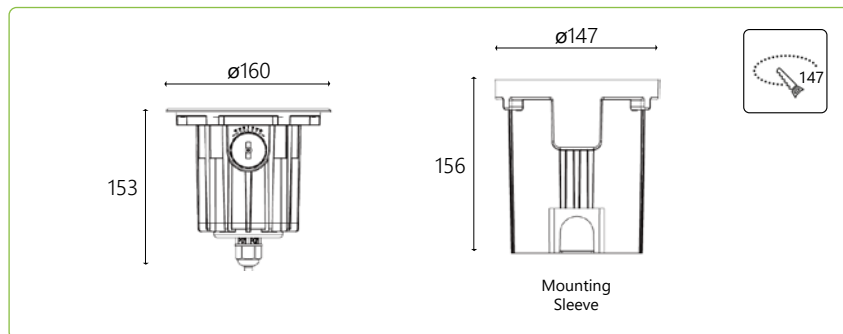
Product Code	LED Output (lm)	LED Power	Efficiency (lm/W)	IP Rating	IK Rating
LY-IG-TEFG-12W-①-②-③-④	840 (@2700K)	6 x 2W (White) 4 x 3W (RGB) 4 x 4W (RGBW)	70 (@2700K)	67	05

CUSTOMIZABLE SPECIFICATIONS

① Beam Angle	② Colour Temperature	③ Input Voltage	④ Dimming
25D 40D 60D	27 (2700K) 30 (3000K) 40 (4000K) 60 (6000K) RGB RGBW	24V (24Vdc) 240V (240Vac - White Only)	ND (Non-Dimming) DA (Dali) D0 (0-10V) PH (Phase) DMX (DMX 512)

(Example Code Format: LY-IG-TEFG-12W-25D-27-24V-ND)

DIMENSIONS (MM) & LIGHT DISTRIBUTION



LENS ACCESSORY

	Product Code LY-IG-TEFG-HC
	Product Code LY-IG-TEFG-PS
	Product Code LY-IG-TEFG-LS
	Product Code LY-IG-TEFG-CF

TERA

High Power Depth Illuminant Inground Series

Tera Delta (Fixed)



IK05	DMX	PHASE	1-10V	DALI
IP67	2-3step McAdam <small>(optional)</small>	Driver Included	Operating Hours > 100,000	L70 > 50,000 Hours
CRI 80 90 90+	OPERATION TEMP -20°C to 50°C!	5 Years warranty	RoHS	CE

SPECIFICATIONS

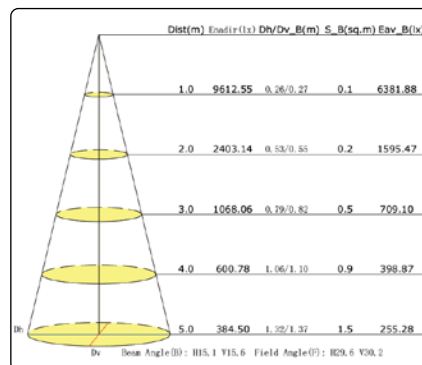
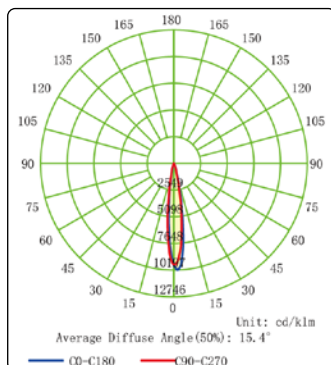
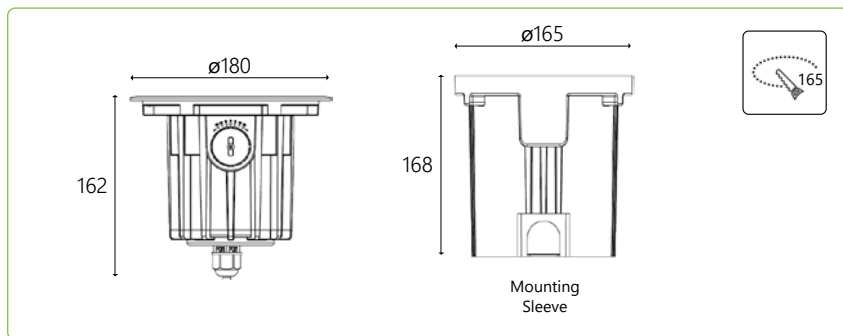
Product Code	LED Output (lm)	LED Power	Efficiency (lm/W)	IP Rating	IK Rating
LY-IG-TEFD-18W-①-②-③-④	1260 (@2700K)	9 x 2W (White) 6 x 3W (RGB) 6 x 4W (RGBW)	70 (@2700K)	67	05

CUSTOMIZABLE SPECIFICATIONS

① Beam Angle	② Colour Temperature	③ Input Voltage	④ Dimming
25D 40D 60D	27 (2700K) 30 (3000K) 40 (4000K) 60 (6000K) RGB RGBW	24V (24Vdc) 240V (240Vac - White Only)	ND (Non-Dimming) DA (Dali) D0 (0-10V) PH (Phase) DMX (DMX 512)

(Example Code Format: LY-IG-TEFD-18W-25D-27-24V-ND)

DIMENSIONS (MM) & LIGHT DISTRIBUTION



LENS ACCESSORY



Honeycomb Filter

Product Code

LY-IG-TEFD-HC



Prismatic Diffuser

Product Code

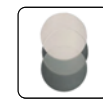
LY-IG-TEFD-PS



LED Sleeve

Product Code

LY-IG-TEFD-LS



Coloured Filters

Product Code

LY-IG-TEFD-CF

TERA

High Power Depth Illuminant Inground Series

Tera Epsilon (Fixed)



IK05	DMX	PHASE	1-10V	DALI
IP67	2-3 step McAdam <small>(optional)</small>	Driver Included	Operating Hours > 100,000	L70 > 50,000 Hours
CRI 80 90 90+	OPERATION TEMP -20°C to 50°C!	5 Years warranty	RoHS	CE

SPECIFICATIONS

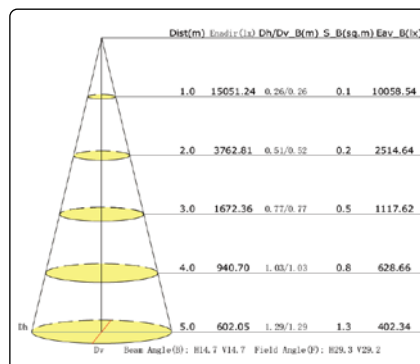
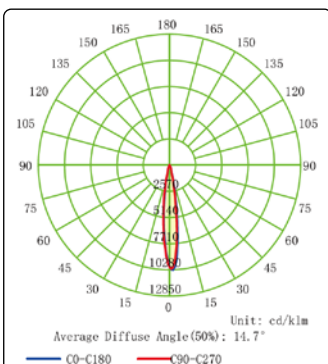
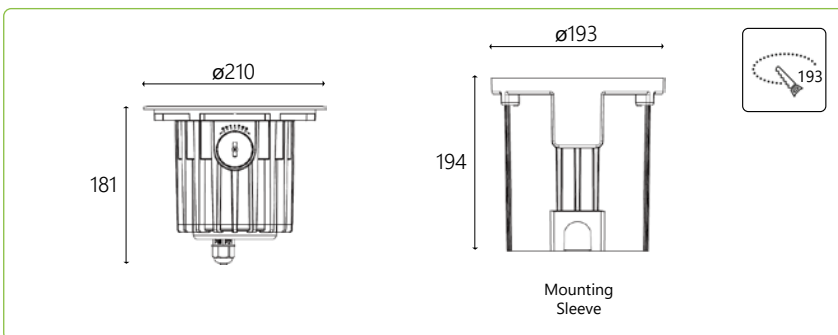
Product Code	LED Output (lm)	LED Power	Efficiency (lm/W)	IP Rating	IK Rating
LY-IG-TEFE-24W-①-②-③-④	1680 (@2700K)	12 x 2W (White) 9 x 3W (RGB) 9 x 4W (RGBW)	70 (@2700K)	67	05

CUSTOMIZABLE SPECIFICATIONS

① Beam Angle	② Colour Temperature	③ Input Voltage	④ Dimming
25D 40D 60D	27 (2700K) 30 (3000K) 40 (4000K) 60 (6000K) RGB RGBW	24V (24Vdc) 240V (240Vac - White Only)	ND (Non-Dimming) DA (Dali) D0 (0-10V) PH (Phase) DMX (DMX 512)

(Example Code Format: LY-IG-TEFE-24W-25D-27-24V-ND)

DIMENSIONS (MM) & LIGHT DISTRIBUTION



LENS ACCESSORY



Honeycomb Filter

Product Code

LY-IG-TEFE-HC



Prismatic Diffuser

Product Code

LY-IG-TEFE-PS



LED Sleeve

Product Code

LY-IG-TEFE-LS



Coloured Filters

Product Code

LY-IG-TEFE-CF

TERA

High Power Depth Illuminant Inground Series

Tera Zeta (Fixed)



IK05	DMX	PHASE	1-10V	DALI
IP67	2-3step McAdam <small>(optional)</small>	Driver Included	Operating Hours > 100,000	L70 > 50,000 Hours
CRI 80 90 90+	OPERATION TEMP -20°C to 50°C!	5 Years warranty	RoHS	CE

SPECIFICATIONS

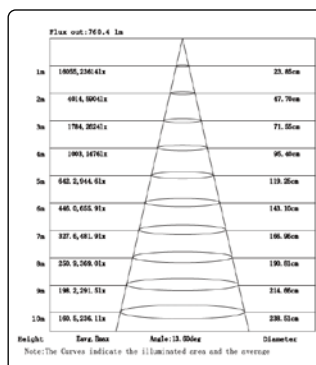
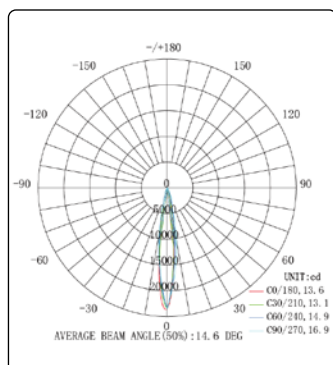
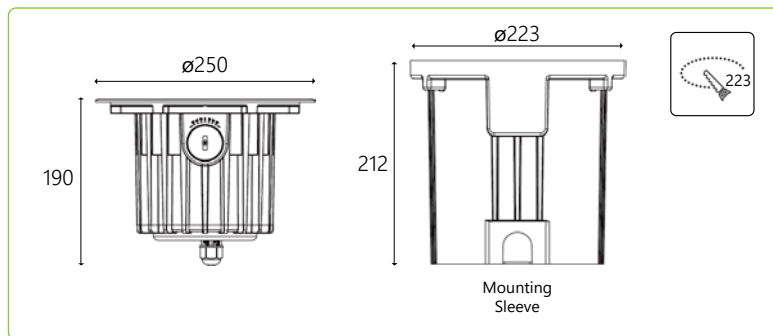
Product Code	LED Output (lm)	LED Power	Efficiency (lm/W)	IP Rating	IK Rating
LY-IG-TEFZ-32.4W-①-②-③-④	2268 (@2700K)	18 x 1.8W (White) 12 x 3W (RGB) 12 x 4W (RGBW)	70 (@2700K)	67	05

CUSTOMIZABLE SPECIFICATIONS

① Beam Angle	② Colour Temperature	③ Input Voltage	④ Dimming
25D 40D 60D	27 (2700K) 30 (3000K) 40 (4000K) 60 (6000K) RGB RGBW	24V (24Vdc) 240V (240Vac - White Only)	ND (Non-Dimming) DA (Dali) D0 (0-10V) PH (Phase) DMX (DMX 512)

(Example Code Format: LY-IG-TEFZ-32.4W-25D-27-24V-ND)

DIMENSIONS (MM) & LIGHT DISTRIBUTION



LENS ACCESSORY

	Product Code LY-IG-TEFZ-HC
	Product Code LY-IG-TEFZ-PS
	Product Code LY-IG-TEFZ-LS
	Product Code LY-IG-TEFZ-CF

TERA

COB Inground Series

Tera Alpha (COB)



IK10	DMX	PHASE	1-10V	DALI
IP67	2-3 step McAdam <small>(optional)</small>	Driver Included	Operating Hours > 100,000	L70 > 50,000 Hours
CRI 80 90 90+	OPERATION TEMP -20°C to 50°C!	5 Years warranty	RoHS	CE

SPECIFICATIONS

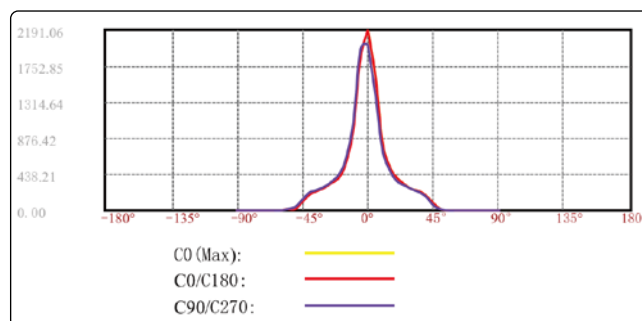
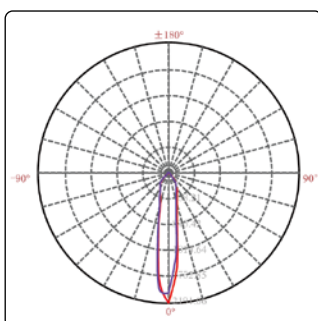
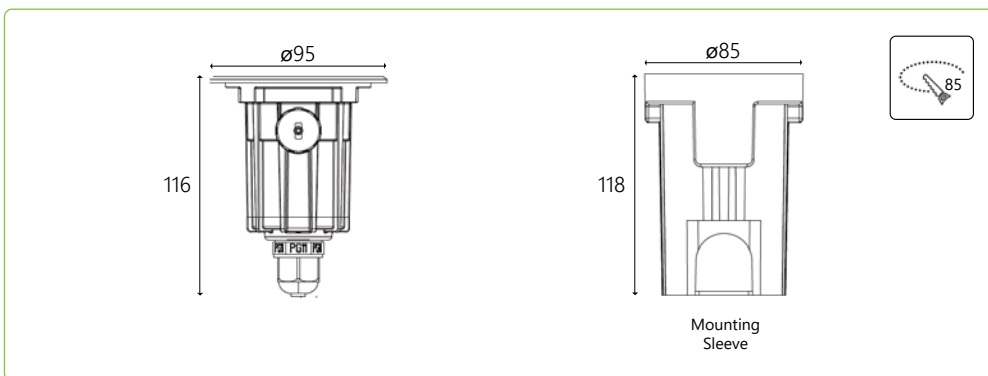
Product Code	LED Output (lm)	LED Power	Efficiency (lm/W)	IP Rating	IK Rating
LY-IG-TEAC-5W-①-②-③-④	350 (@2700K)	1 x 5W	70 (@2700K)	67	10

CUSTOMIZABLE SPECIFICATIONS

① Beam Angle	② Colour Temperature	③ Input Voltage	④ Dimming
20D 30D 40D 40D	27 (2700K) 30 (3000K) 40 (4000K) 60 (6000K)	24V (24Vdc) 240V (240Vac)	ND (Non-Dimming) DA (Dali) D0 (0-10V) PH (Phase) DMX (DMX 512)

(Example Code Format: LY-IG-TEAC-5W-20D-27-24V-ND)

DIMENSIONS (MM) & LIGHT DISTRIBUTION



LENS ACCESSORY

	Product Code LY-IG-TEAC-HC
	Product Code LY-IG-TEAC-PS
	Product Code LY-IG-TEAC-CF

TERA

COB Inground Series

Tera Beta (COB)



IK10	DMX	PHASE	1-10V	DALI
IP67	2-3step McAdam <small>(optional)</small>	Driver Included	Operating Hours > 100,000	L70 > 50,000 Hours
CRI 80 90 90+	OPERATION TEMP -20°C to 50°C!	5 Years warranty	RoHS	CE

SPECIFICATIONS

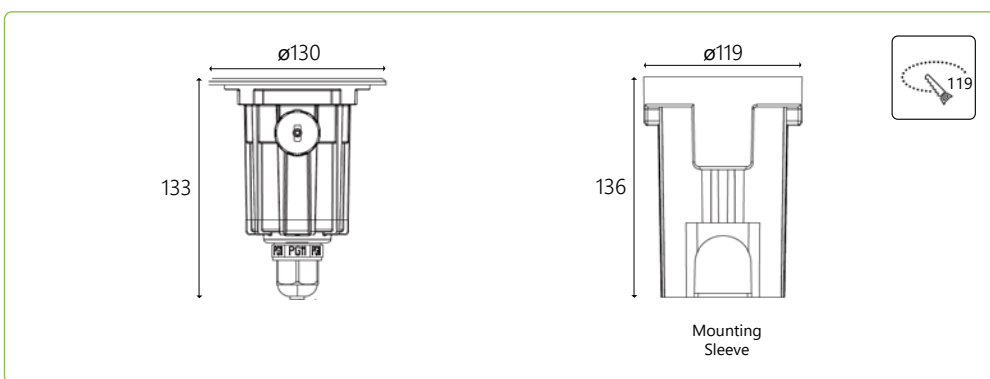
Product Code	LED Output (lm)	LED Power	Efficiency (lm/W)	IP Rating	IK Rating
LY-IG-TEBC-8W-①-②-③-④	560 (@2700K)	1 x 8W	70 (@2700K)	67	10

CUSTOMIZABLE SPECIFICATIONS

① Beam Angle	② Colour Temperature	③ Input Voltage	④ Dimming
20D 30D 40D	27 (2700K) 30 (3000K) 40 (4000K) 60 (6000K)	24V (24Vdc) 240V (240Vac)	ND (Non-Dimming) DA (Dali) D0 (0-10V) PH (Phase) DMX (DMX 512)

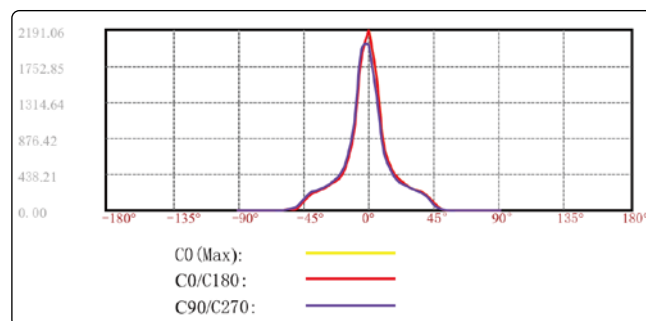
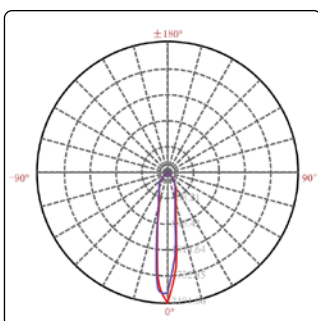
(Example Code Format: LY-IG-TEBC-8W-20D-27-24V-ND)

DIMENSIONS (MM) & LIGHT DISTRIBUTION



LENS ACCESSORY

	Product Code LY-IG-TEBC-HC
	Product Code LY-IG-TEBC-PS
	Product Code LY-IG-TEBC-CF



TERA

COB Inground Series

Tera Gamma (COB)



IK10	DMX	PHASE	1-10V	DALI
IP67	2-3step McAdam <small>(optional)</small>	Driver Included	Operating Hours > 100,000	L70 > 50,000 Hours
CRI 80 90 90+	OPERATION TEMP -20°C to 50°C!	5 Years warranty	RoHS	CE

SPECIFICATIONS

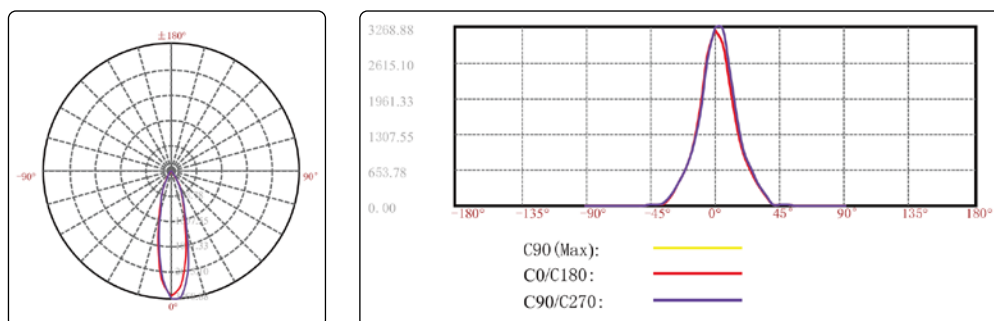
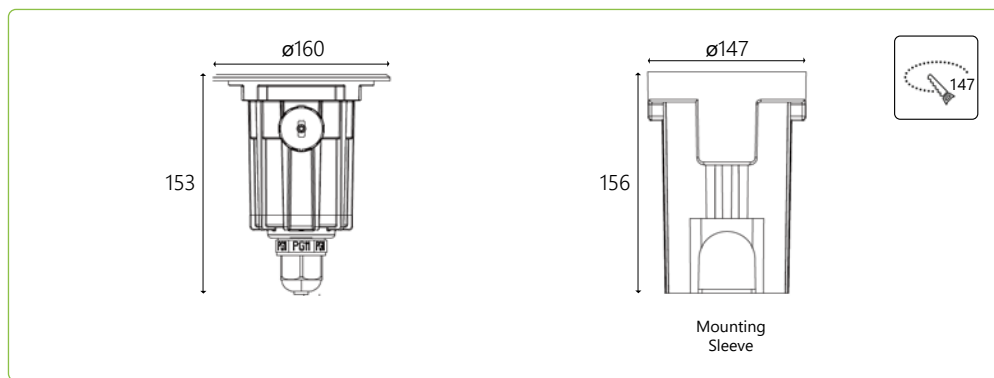
Product Code	LED Output (lm)	LED Power	Efficiency (lm/W)	IP Rating	IK Rating
LY-IG-TEGC-12W-①-②-③-④	840 (@2700K)	1 x 12W	70 (@2700K)	67	10

CUSTOMIZABLE SPECIFICATIONS

① Beam Angle	② Colour Temperature	③ Input Voltage	④ Dimming
20D 30D 40D	27 (2700K) 30 (3000K) 40 (4000K) 60 (6000K)	24V (24Vdc) 240V (240Vac)	ND (Non-Dimming) DA (Dali) D0 (0-10V) PH (Phase) DMX (DMX 512)

(Example Code Format: LY-IG-TEGC-12W-20D-27-24V-ND)

DIMENSIONS (MM) & LIGHT DISTRIBUTION



LENS ACCESSORY

	Product Code LY-IG-TEGC-HC
	Product Code LY-IG-TEGC-PS
	Product Code LY-IG-TEGC-CF

TERA
COB Inground Series

Tera Delta
(COB)



IK10	DMX	PHASE	1-10V	DALI
IP67	2-3step McAdam <small>(optional)</small>	Driver Included	Operating Hours > 100,000	L70 > 50,000 Hours
CRI 80 90 90+	OPERATION TEMP -20°C to 50°C!	5 Years warranty	RoHS	CE

SPECIFICATIONS

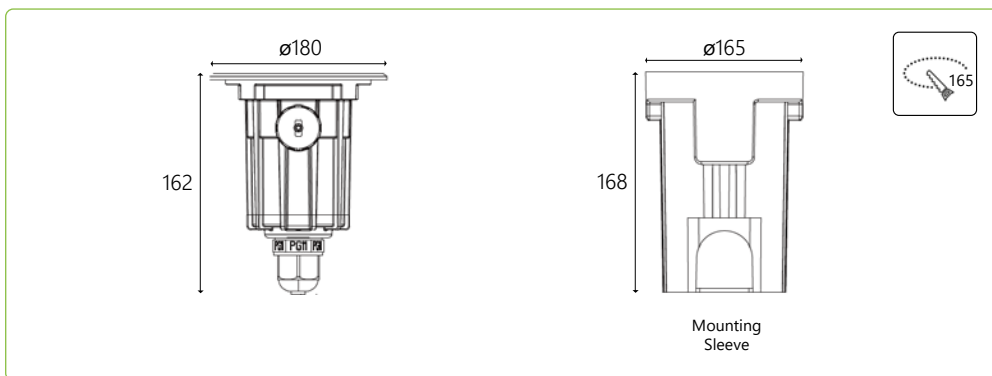
Product Code	LED Output (lm)	LED Power	Efficiency (lm/W)	IP Rating	IK Rating
LY-IG-TEDC-18W-①-②-③-④	1260 (@2700K)	1 x 18W	70 (@2700K)	67	10

CUSTOMIZABLE SPECIFICATIONS

① Beam Angle	② Colour Temperature	③ Input Voltage	④ Dimming
20D 30D 40D	27 (2700K) 30 (3000K) 40 (4000K) 60 (6000K)	24V (24Vdc) 240V (240Vac)	ND (Non-Dimming) DA (Dali) D0 (0-10V) PH (Phase) DMX (DMX 512)

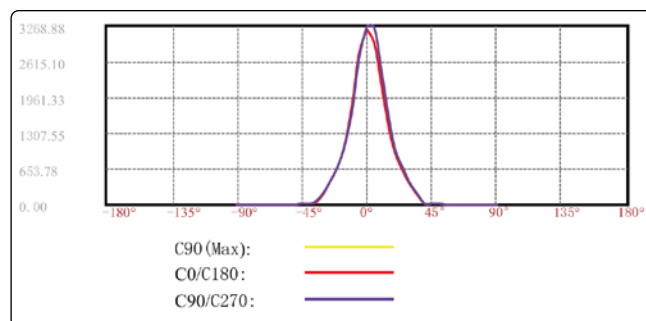
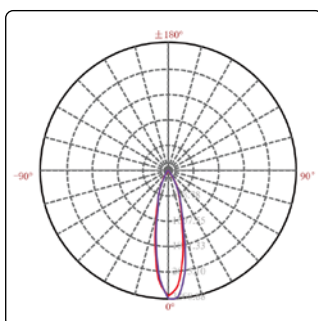
(Example Code Format: LY-IG-TEDC-18W-20D-27-24V-ND)

DIMENSIONS (MM) & LIGHT DISTRIBUTION



LENS ACCESSORY

	Product Code LY-IG-TEDC-HC
	Product Code LY-IG-TEDC-PS
	Product Code LY-IG-TEDC-CF



TERA

COB Inground Series

Tera Epsilon (COB)



IK10	DMX	PHASE	1-10V	DALI
IP67	2-3step McAdam <small>(optional)</small>	Driver Included	Operating Hours > 100,000	L70 > 50,000 Hours
CRI 80 90 90+	OPERATION TEMP -20°C to 50°C!	5 Years warranty	RoHS	CE

SPECIFICATIONS

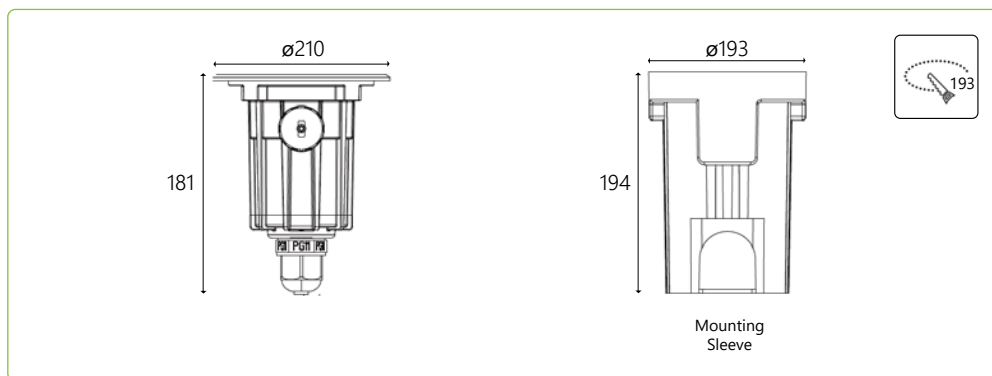
Product Code	LED Output (lm)	LED Power	Efficiency (lm/W)	IP Rating	IK Rating
LY-IG-TEEC-24W-①-②-③-④	1680 (@2700K)	1 x 24W	70 (@2700K)	67	10

CUSTOMIZABLE SPECIFICATIONS

① Beam Angle	② Colour Temperature	③ Input Voltage	④ Dimming
20D 30D 40D	27 (2700K) 30 (3000K) 40 (4000K) 60 (6000K)	24V (24Vdc) 240V (240Vac)	ND (Non-Dimming) DA (Dali) D0 (0-10V) PH (Phase) DMX (DMX 512)

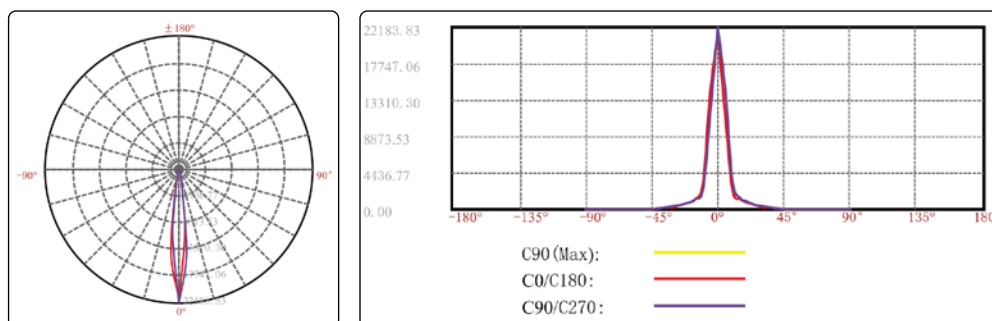
(Example Code Format: LY-IG-TEEC-24W-20D-27-24V-ND)

DIMENSIONS (MM) & LIGHT DISTRIBUTION



LENS ACCESSORY

	Product Code LY-IG-TEEC-HC
	Product Code LY-IG-TEEC-PS
	Product Code LY-IG-TEEC-CF



TERA

COB Inground Series

Tera Zeta (COB)



IK10	DMX	PHASE	1-10V	DALI
IP67	2-3step McAdam <small>(optional)</small>	Driver Included	Operating Hours > 100,000	L70 > 50,000 Hours
CRI 80 90 90+	OPERATION TEMP -20°C to 50°C!	5 Years warranty	RoHS	CE

SPECIFICATIONS

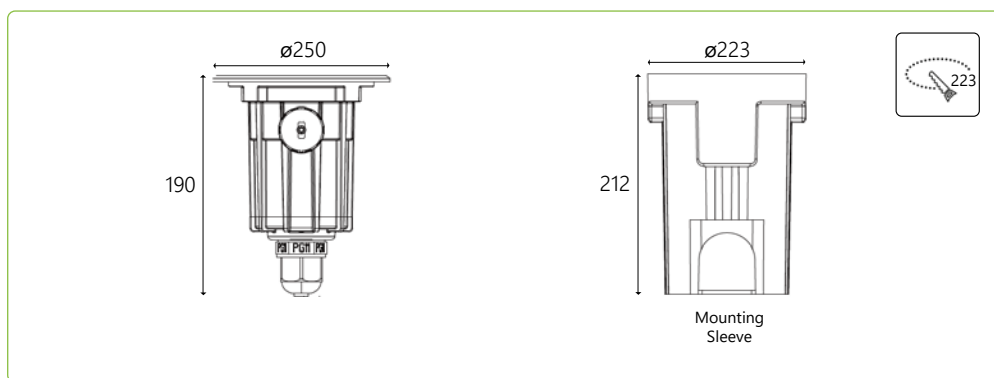
Product Code	LED Output (lm)	LED Power	Efficiency (lm/W)	IP Rating	IK Rating
LY-IG-TEZC-36W-①-②-③-④	2520 (@2700K)	1 x 36W	70 (@2700K)	67	10

CUSTOMIZABLE SPECIFICATIONS

① Beam Angle	② Colour Temperature	③ Input Voltage	④ Dimming
20D 30D 40D	27 (2700K) 30 (3000K) 40 (4000K) 60 (6000K)	24V (24Vdc) 240V (240Vac)	ND (Non-Dimming) DA (Dali) D0 (0-10V) PH (Phase) DMX (DMX 512)

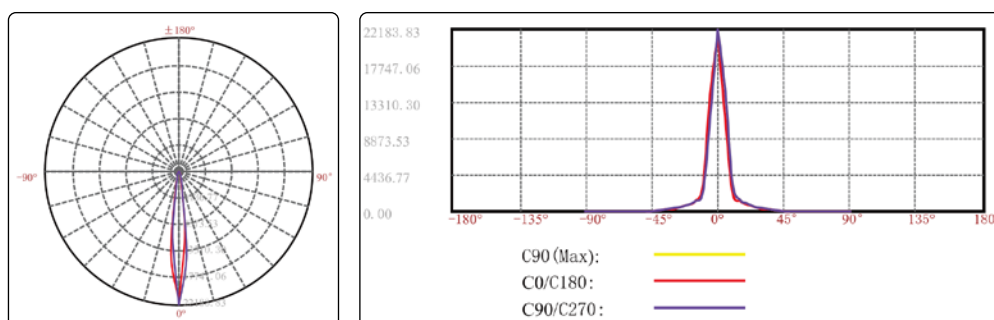
(Example Code Format: LY-IG-TEZC-36W-20D-27-24V-ND)

DIMENSIONS (MM) & LIGHT DISTRIBUTION



LENS ACCESSORY

	Product Code LY-IG-TEZC-HC
	Product Code LY-IG-TEZC-PS
	Product Code LY-IG-TEZC-CF



TERA

COB Asymmetric Inground Series

Tera Alpha

(COB - Asymmetric)



IK05	DMX	PHASE	1-10V	DALI
IP67	2-3step McAdam <small>(optional)</small>	Driver Included	Operating Hours > 100,000	L70 > 50,000 Hours
CRI 80 90 90+	OPERATION TEMP -20°C to 50°C!	5 Years warranty	RoHS	CE

SPECIFICATIONS

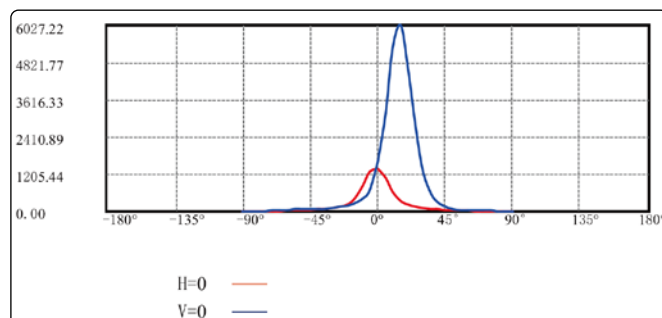
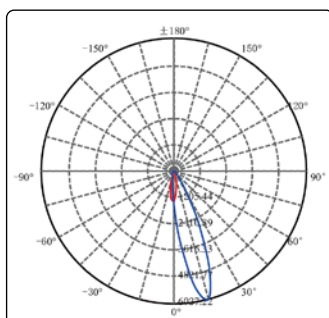
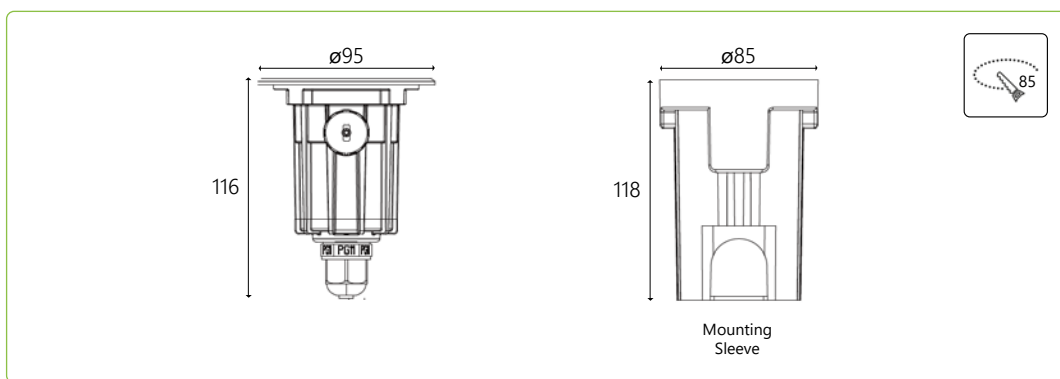
Product Code	LED Output (lm)	LED Power	Efficiency (lm/W)	Beam Angle	IP Rating	IK Rating
LY-IG-TEAY-4.5W-①-②-③	315 (@2700K)	1 x 4.5W	70 (@2700K)	27° Asymmetrical	67	05

CUSTOMIZABLE SPECIFICATIONS

① Colour Temperature	② Input Voltage	③ Dimming
27 (2700K) 30 (3000K) 40 (4000K) 60 (6000K)	24V (24Vdc) 240V (240Vac)	ND (Non-Dimming) DA (Dali) D0 (0-10V) PH (Phase) DMX (DMX 512)

(Example Code Format: LY-IG-TEAY-4.5W-27-12V-DA)

DIMENSIONS (MM) & LIGHT DISTRIBUTION



Tera Beta
(COB - Asymmetric)



IK05	DMX	PHASE	1-10V	DALI
IP67	2-3 step McAdam <small>(optional)</small>	Driver Included	Operating Hours > 100,000	L70 > 50,000 Hours
CRI 80 90 90+	OPERATION TEMP -20°C to 50°C!	5 Years warranty	RoHS	CE

SPECIFICATIONS

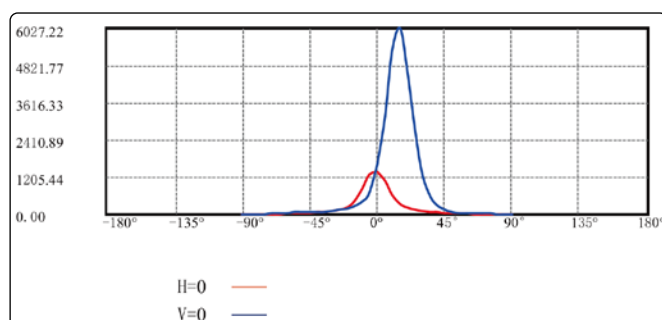
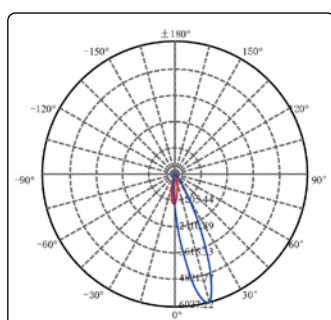
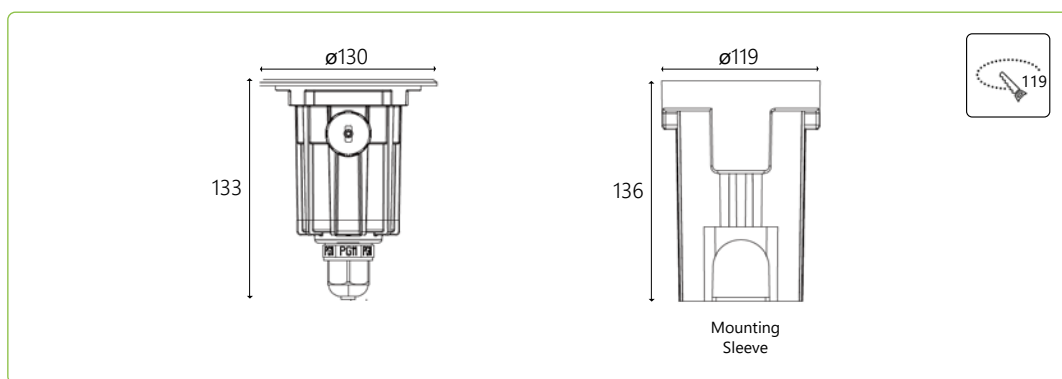
Product Code	LED Output (lm)	LED Power	Efficiency (lm/W)	Beam Angle	IP Rating	IK Rating
LY-IG-TEBY-7W-①-②-③	490 (@2700K)	1 x 7W	70 (@2700K)	27° Asymmetrical	67	05

CUSTOMIZABLE SPECIFICATIONS

① Colour Temperature	② Input Voltage	③ Dimming
27 (2700K) 30 (3000K) 40 (4000K) 60 (6000K)	24V (24Vdc) 240V (240Vac)	ND (Non-Dimming) DA (Dali) D0 (0-10V) PH (Phase) DMX (DMX 512)

(Example Code Format: LY-IG-TEBY-7W-27-12V-DA)

DIMENSIONS (MM) & LIGHT DISTRIBUTION



TERA

COB Asymmetric Inground Series

Tera Gamma

(COB - Asymmetric)



IK05	DMX	PHASE	1-10V	DALI
IP67	2-3 step McAdam <small>(optional)</small>	Driver Included	Operating Hours > 100,000	L70 > 50,000 Hours
CRI 80 90 90+	OPERATION TEMP -20°C to 50°C!	5 Years warranty	RoHS	CE

SPECIFICATIONS

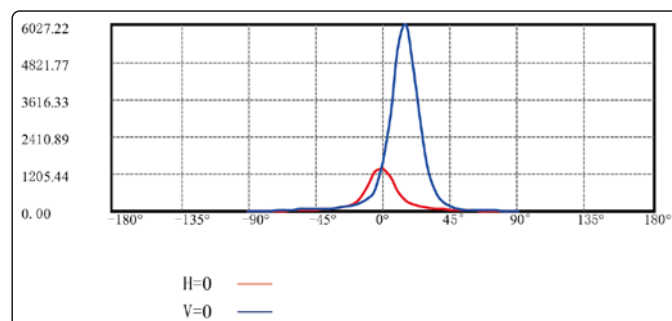
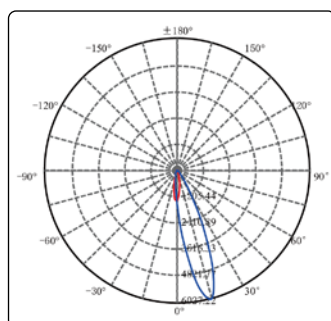
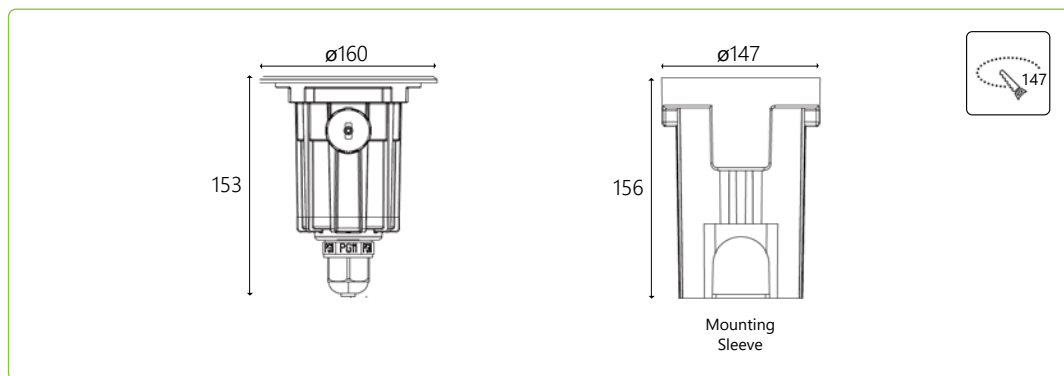
Product Code	LED Output (lm)	LED Power	Efficiency (lm/W)	Beam Angle	IP Rating	IK Rating
LY-IG-TEGY-12W-①-②-③	840 (@2700K)	1 x 12W	70 (@2700K)	27° Asymmetrical	67	05

CUSTOMIZABLE SPECIFICATIONS

① Colour Temperature	② Input Voltage	③ Dimming
27 (2700K) 30 (3000K) 40 (4000K) 60 (6000K)	24V (24Vdc) 240V (240Vac)	ND (Non-Dimming) DA (Dali) D0 (0-10V) PH (Phase) DMX (DMX 512)

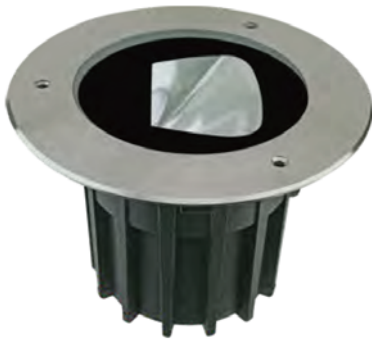
(Example Code Format: LY-IG-TEGY-12W-27-12V-DA)

DIMENSIONS (MM) & LIGHT DISTRIBUTION



TERA
COB Asymmetric Inground Series

Tera Delta
(COB - Asymmetric)



IK05	DMX	PHASE	1-10V	DALI
IP67	2-3step McAdam <small>(optional)</small>	Driver Included	Operating Hours > 100,000	L70 > 50,000 Hours
CRI 80 90 90+	OPERATION TEMP -20°C to 50°C!	5 Years warranty	RoHS	CE

SPECIFICATIONS

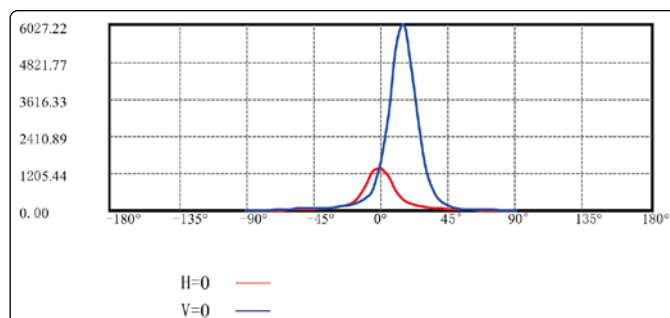
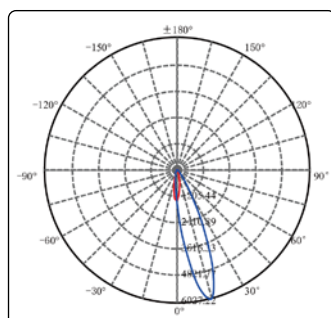
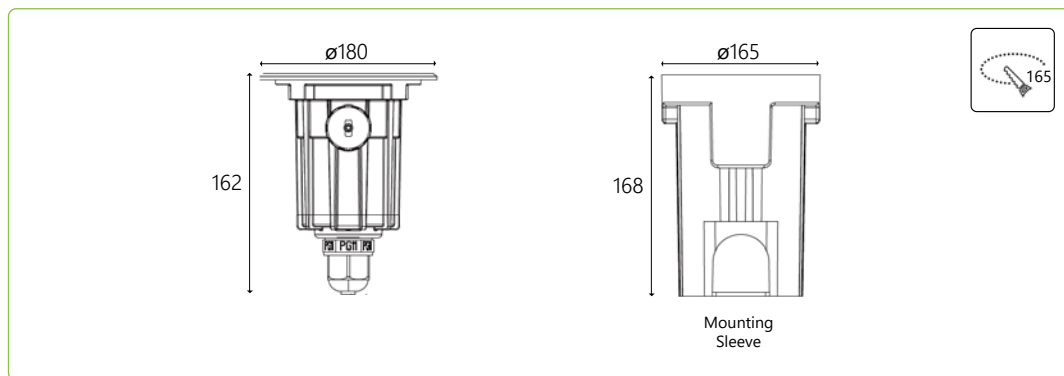
Product Code	LED Output (lm)	LED Power	Efficiency (lm/W)	Beam Angle	IP Rating	IK Rating
LY-IG-TEDY-18W-①-②-③	1260 (@2700K)	1 x 18W	70 (@2700K)	27° Asymmetrical	67	05

CUSTOMIZABLE SPECIFICATIONS

① Colour Temperature	② Input Voltage	③ Dimming
27 (2700K) 30 (3000K) 40 (4000K) 60 (6000K)	24V (24Vdc) 240V (240Vac)	ND (Non-Dimming) DA (Dali) D0 (0-10V) PH (Phase) DMX (DMX 512)

(Example Code Format: LY-IG-TEDY-18W-27-12V-DA)

DIMENSIONS (MM) & LIGHT DISTRIBUTION



TERA

COB Asymmetric Inground Series

Tera Epsilon (COB - Asymmetric)



IK05	DMX	PHASE	1-10V	DALI
IP67	2-3step McAdam <small>(optional)</small>	Driver Included	Operating Hours > 100,000	L70 > 50,000 Hours
CRI 80 90 90+	OPERATION TEMP -20°C to 50°C!	5 Years warranty	RoHS	CE

SPECIFICATIONS

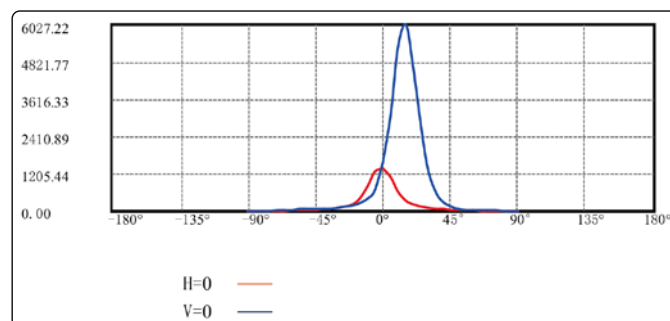
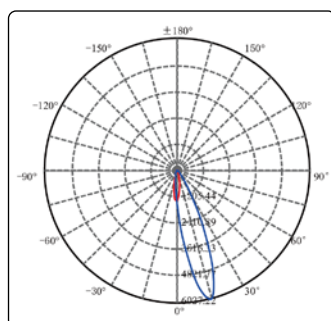
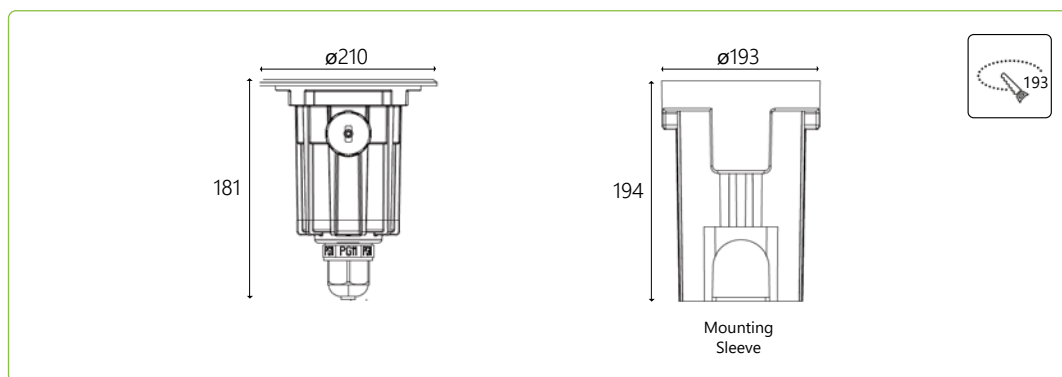
Product Code	LED Output (lm)	LED Power	Efficiency (lm/W)	Beam Angle	IP Rating	IK Rating
LY-IG-TEEY-24W-①-②-③	1680 (@2700K)	1 x 24W	70 (@2700K)	27° Asymmetrical	67	05

CUSTOMIZABLE SPECIFICATIONS

① Colour Temperature	② Input Voltage	③ Dimming
27 (2700K) 30 (3000K) 40 (4000K) 60 (6000K)	24V (24Vdc) 240V (240Vac)	ND (Non-Dimming) DA (Dali) D0 (0-10V) PH (Phase) DMX (DMX 512)

(Example Code Format: LY-IG-TEEY-24W-27-12V-DA)

DIMENSIONS (MM) & LIGHT DISTRIBUTION



TERA

COB Asymmetric Inground Series

Tera Zeta

(COB - Asymmetric)



IK05	DMX	PHASE	1-10V	DALI
IP67	2-3step McAdam <small>(optional)</small>	Driver Included	Operating Hours > 100,000	L70 > 50,000 Hours
CRI 80 90 90+	OPERATION TEMP -20°C to 50°C!	5 Years warranty	RoHS	CE

SPECIFICATIONS

Product Code	LED Output (lm)	LED Power	Efficiency (lm/W)	Beam Angle	IP Rating	IK Rating
LY-IG-TEZY-36W-①-②-③	2520 (@2700K)	1 x 36W	70 (@2700K)	27° Asymmetrical	67	05

CUSTOMIZABLE SPECIFICATIONS

① Colour Temperature	② Input Voltage	③ Dimming
27 (2700K) 30 (3000K) 40 (4000K) 60 (6000K)	24V (24Vdc) 240V (240Vac)	ND (Non-Dimming) DA (Dali) D0 (0-10V) PH (Phase) DMX (DMX 512)

(Example Code Format: LY-IG-TEZY-36W-27-12V-DA)

DIMENSIONS (MM) & LIGHT DISTRIBUTION

