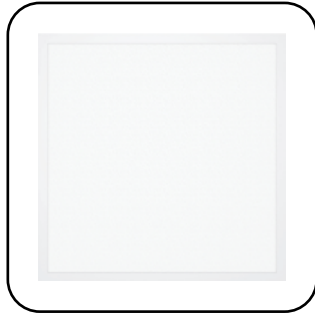


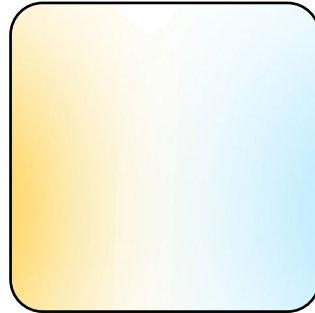


TAU

Panel  
Light  
Series



**Backlit  
Panel**



**Tunable CCT  
Option**  
(3000K~6000K)

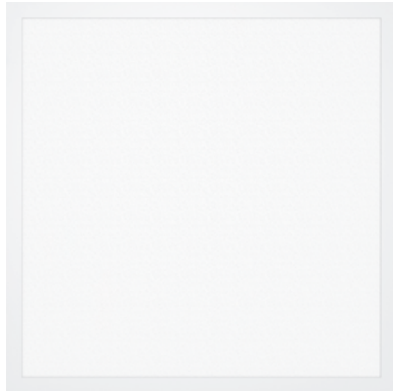


**Integrated PIR**  
(Optional)

# TAU

Panel Light Series

## Tau 6060



IP20	CRI 80 90 90+	OPERATION TEMP -20°C to 50°C!
2-3step McAdam <small>(optional)</small>	Operating Hours > 100,000	L70 > 50,000 Hours
1-10V	5 Years warranty	RoHS CE

### SPECIFICATIONS

Tau 6060  
(Standard)

Product Code	LED Output (lm)	LED Power (W)	Efficiency (lm/W)	Beam Angle	Input Voltage
LY-PN-TA6060-25W-①-②-③-④	2750	25	110	120°	200-240Vac
LY-PN-TA6060-30W-①-②-③-④	3300	30	110	120°	200-240Vac
LY-PN-TA6060-35W-①-②-③-④	3850	35	110	120°	200-240Vac

Tau 6060  
(High Efficiency)

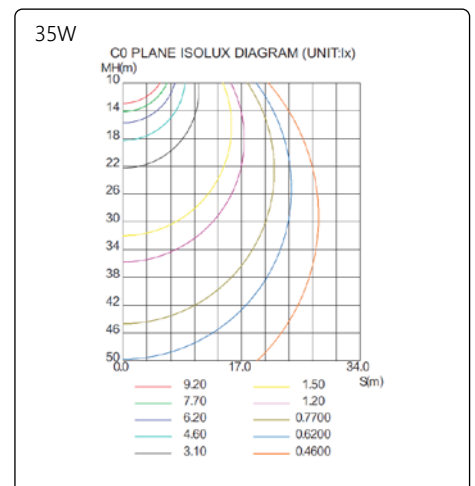
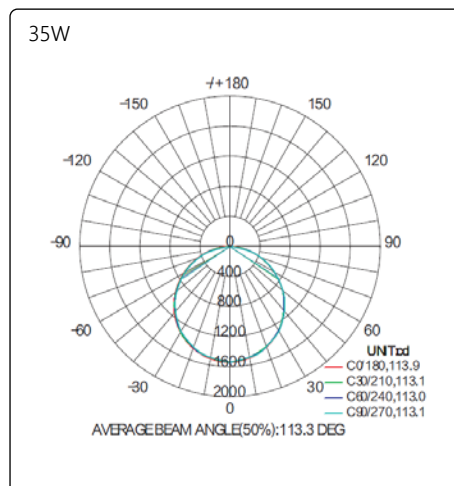
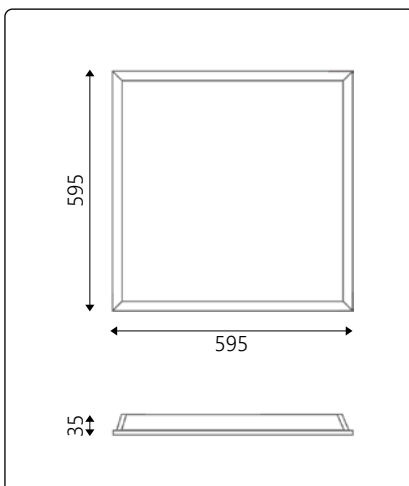
Product Code	LED Output (lm)	LED Power (W)	Efficiency (lm/W)	Beam Angle	Input Voltage
LY-PN-TA6060H-25W-①-②-③-④	3250	25	130	120°	200-240Vac
LY-PN-TA6060H-30W-①-②-③-④	3900	30	130	120°	200-240Vac
LY-PN-TA6060H-35W-①-②-③-④	4550	35	130	120°	200-240Vac

### CUSTOMIZABLE SPECIFICATIONS

① Colour Temperature	② Dimming	③ Sensor Option	④ Emergency Option
30 (3000K) 40 (4000K) 50 (5000K) 60 (6000K)	ND (Non-Dimming) D0 (0-10V)	NA (No Accessory) PIR (PIR Sensor)	NE (Non-Emergency) EM (Emergency Version)

(Example Code Format: LY-PN-TA6060-25W-30-ND-NA-NE)

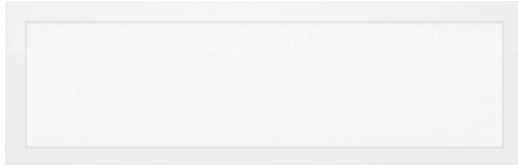
### DIMENSIONS (MM) & LIGHT DISTRIBUTION



# TAU

Panel Light Series

## Tau 30120



IP20	CRI 80 90 90+	OPERATION TEMP -20°C to 50°C!
2-3step McAdam <small>(optional)</small>	Operating Hours > 100,000	L70 > 50,000 Hours
1-10V	5 Years warranty	RoHS
		CE

### SPECIFICATIONS

Tau 30120  
(Standard)

Product Code	LED Output (lm)	LED Power (W)	Efficiency (lm/W)	Beam Angle	Input Voltage
LY-PN-TA30120-25W-①-②-③-④	2750	25	110	120°	200-240Vac
LY-PN-TA30120-30W-①-②-③-④	3300	30	110	120°	200-240Vac
LY-PN-TA30120-35W-①-②-③-④	3850	35	110	120°	200-240Vac

Tau 30120  
(High Efficiency)

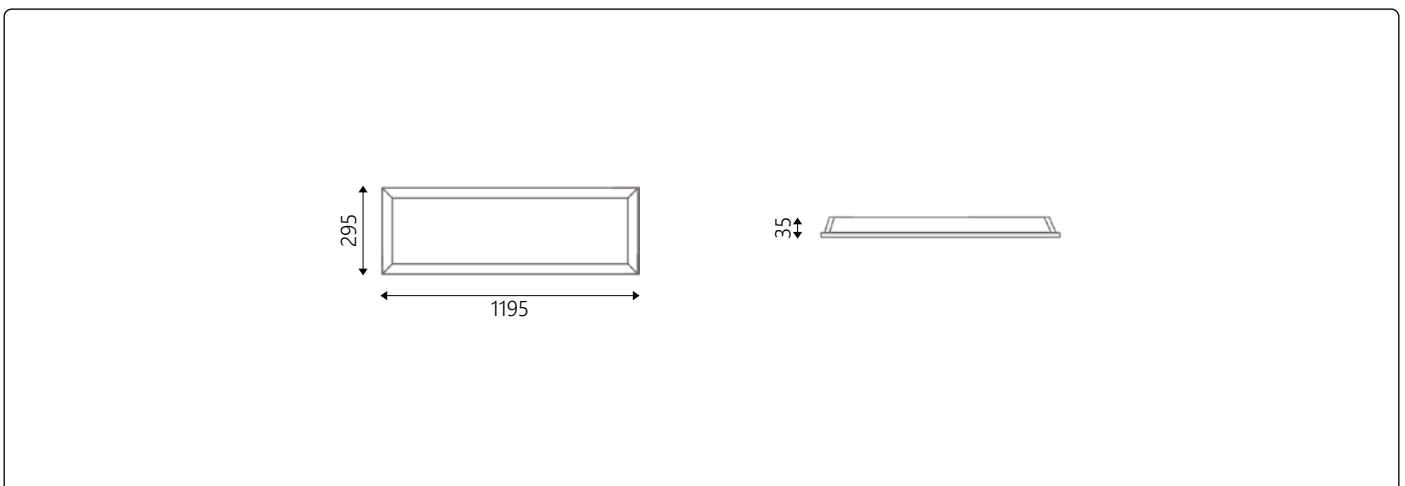
Product Code	LED Output (lm)	LED Power (W)	Efficiency (lm/W)	Beam Angle	Input Voltage
LY-PN-TA30120H-25W-①-②-③-④	3250	25	130	120°	200-240Vac
LY-PN-TA30120H-30W-①-②-③-④	3900	30	130	120°	200-240Vac
LY-PN-TA30120H-35W-①-②-③-④	4550	35	130	120°	200-240Vac

### CUSTOMIZABLE SPECIFICATIONS

① Colour Temperature	② Dimming	③ Sensor Option	④ Emergency Option
30 (3000K) 40 (4000K) 50 (5000K) 60 (6000K)	ND (Non-Dimming) D0 (0-10V)	NA (No Accessory) PIR (PIR Sensor)	NE (Non-Emergency) EM (Emergency Version)

(Example Code Format: LY-PN-TA30120-25W-30-ND-NA-NE)

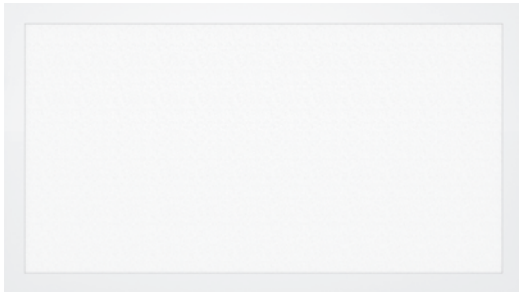
### DIMENSIONS (MM) & LIGHT DISTRIBUTION



# TAU

Panel Light Series

## Tau 60120



IP20	CRI 80 90 90+	OPERATION TEMP -20°C to 50°C!
2-3step McAdam <small>(optional)</small>	Operating Hours > 100,000	L70 > 50,000 Hours
1-10V	5 Years warranty	RoHS
		CE

### SPECIFICATIONS

Tau 60120  
(Standard)

Product Code	LED Output (lm)	LED Power (W)	Efficiency (lm/W)	Beam Angle	Input Voltage
LY-PN-TA60120-35W-①-②-③-④	3850	35	110	120°	200-240Vac
LY-PN-TA60120-40W-①-②-③-④	4400	40	110	120°	200-240Vac
LY-PN-TA60120-50W-①-②-③-④	5500	50	110	120°	200-240Vac

Tau 60120  
(High Efficiency)

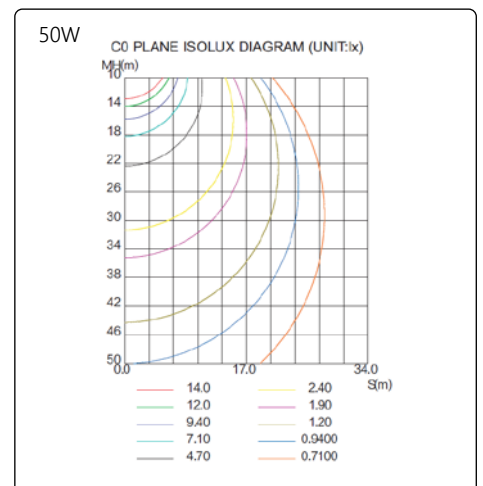
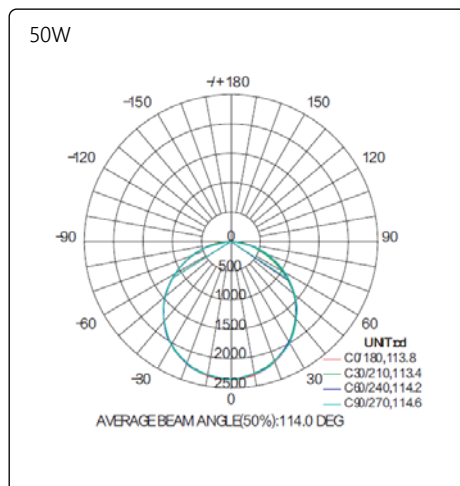
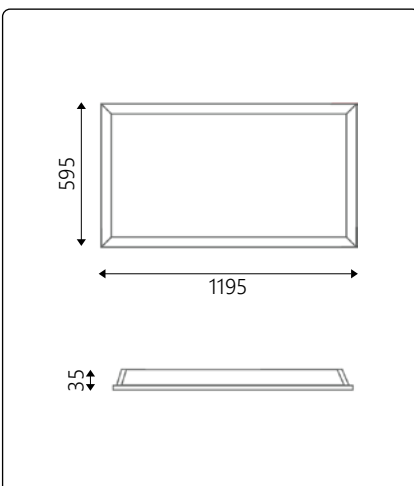
Product Code	LED Output (lm)	LED Power (W)	Efficiency (lm/W)	Beam Angle	Input Voltage
LY-PN-TA60120H-35W-①-②-③-④	4550	35	130	120°	200-240Vac
LY-PN-TA60120H-40W-①-②-③-④	5200	40	130	120°	200-240Vac
LY-PN-TA60120H-50W-①-②-③-④	6500	50	130	120°	200-240Vac

### CUSTOMIZABLE SPECIFICATIONS

① Colour Temperature	② Dimming	③ Sensor Option	④ Emergency Option
30 (3000K) 40 (4000K) 50 (5000K) 60 (6000K)	ND (Non-Dimming) D0 (0-10V)	NA (No Accessory) PIR (PIR Sensor)	NE (Non-Emergency) EM (Emergency Version)

(Example Code Format: LY-PN-TA60120-35W-30-ND-NA-NE)

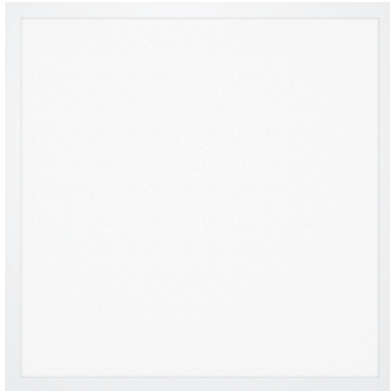
### DIMENSIONS (MM) & LIGHT DISTRIBUTION



# TAU

Panel Light Series

**Tau Tunable**  
(Wireless Dimming)



IP20	CRI 80 90 90+	OPERATION TEMP -20°C to 50°C!
2-3step McAdam <small>(optional)</small>	Operating Hours > 100,000	L70 > 50,000 Hours
1-10V	5 Years warranty	RoHS
		CE

## SPECIFICATIONS

Tau  
Tunable

Product Code	LED Output (lm)	LED Power (W)	Efficiency (lm/W)	Beam Angle	Input Voltage	Colour Temperature	Dimming
LY-PN-TA6060T-35W-①-②	2750	25	110	120°	200-240Vac	3000-6000K	0-10V
LY-PN-TA30120T-35W-①-②	3300	30	110	120°	200-240Vac	3000-6000K	0-10V
LY-PN-TA60120T-50W-①-②	3850	35	110	120°	200-240Vac	3000-6000K	0-10V

## CUSTOMIZABLE SPECIFICATIONS

① Sensor Option	② Emergency Option
NA (No Accessory) PIR (PIR Sensor)	NE (Non-Emergency) EM (Emergency Version)

(Example Code Format: LY-PN-TA6060T-35W-NA-NE)

## DIMENSIONS (MM)

