

STRATOS  
Tri-Proof Linear Light

# STRATOS

Tri-Proof  
Linear  
Light



High Durability  
PVC Fitting



Tri-Proof  
(IP65 / IK08)

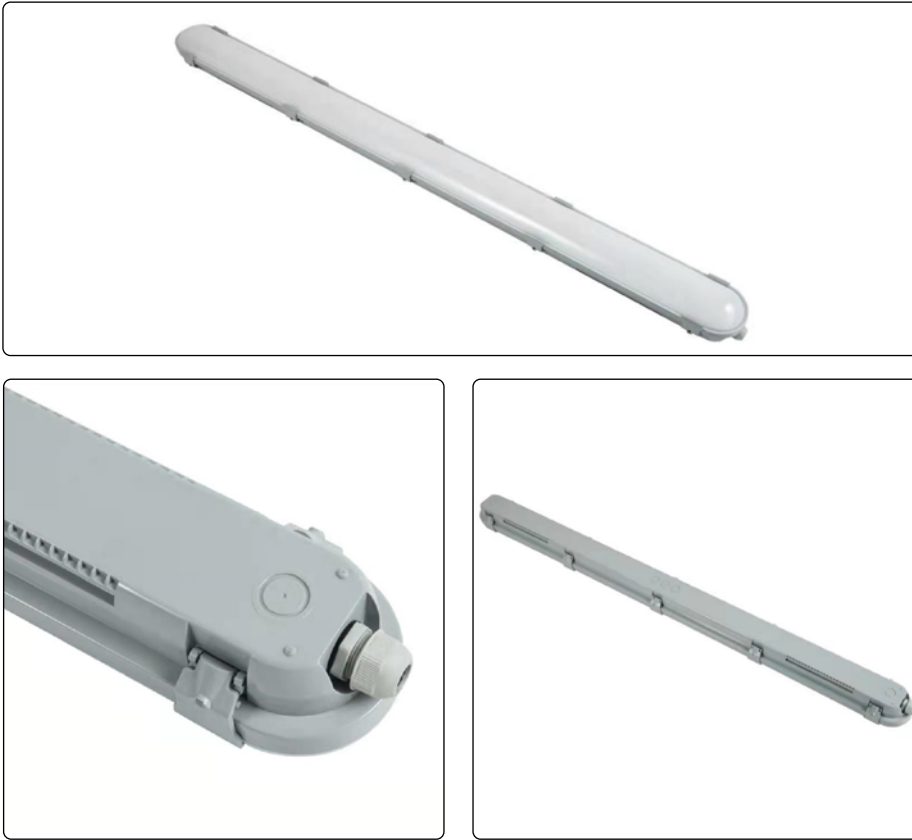


Integrated PIR  
(Optional)

# STRATOS

Tri-Proof Linear Light

## Stratos Series



PHASE	1-10V	DALI
CRI 80 90 90+	Operating Hours > 100,000	L70 > 50,000 Hours
5 Years warranty	RoHS	CE
2-3step McAdam <small>(optional)</small>	OPERATION TEMP -20°C to 50°C!	Driver (Optional)
	IK08	IP65

## SPECIFICATIONS

Stratos 600  
(600mm)

Product Code	LED Output (lm)	LED Power (W)	Efficiency (lm/W)	Input Voltage	LED Type	Length (L) (mm)
LY-LN-ST6-20W-①-②-③	2200	20	110	240Vac	Samsung 2835 SDCM<5 (SDCM<3 Optional)	600

Stratos 1200  
(1200mm)

Product Code	LED Output (lm)	LED Power (W)	Efficiency (lm/W)	Input Voltage	LED Type	Length (L) (mm)
LY-LN-ST12-20W-①-②-③	2200	20	110	240Vac	Samsung 2835 SDCM<5 (SDCM<3 Optional)	1200
LY-LN-ST12-40W-①-②-③	4400	40	110	240Vac		1200

Stratos 1500  
(1500mm)

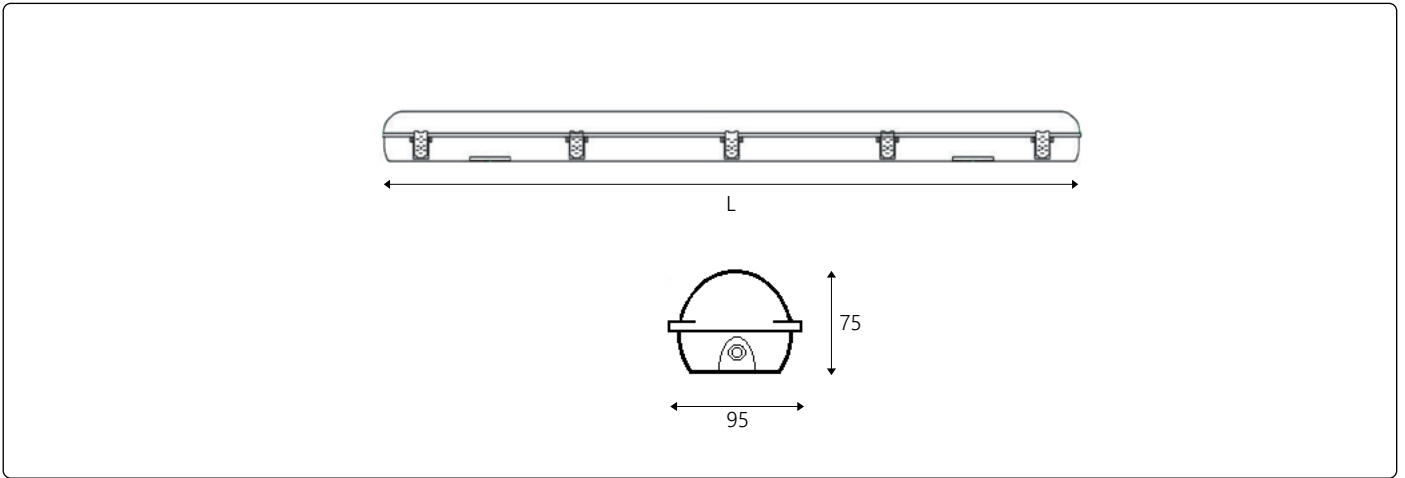
Product Code	LED Output (lm)	LED Power (W)	Efficiency (lm/W)	Input Voltage	LED Type	Length (L) (mm)
LY-LN-ST15-20W-①-②-③	2200	20	110	240Vac	Samsung 2835 SDCM<5 (SDCM<3 Optional)	1500
LY-LN-ST15-40W-①-②-③	4400	40	110	240Vac		1500
LY-LN-ST15-50W-①-②-③	5500	50	110	240Vac		1500
LY-LN-ST15-60W-①-②-③	6600	60	110	240Vac		1500

## CUSTOMIZABLE SPECIFICATIONS

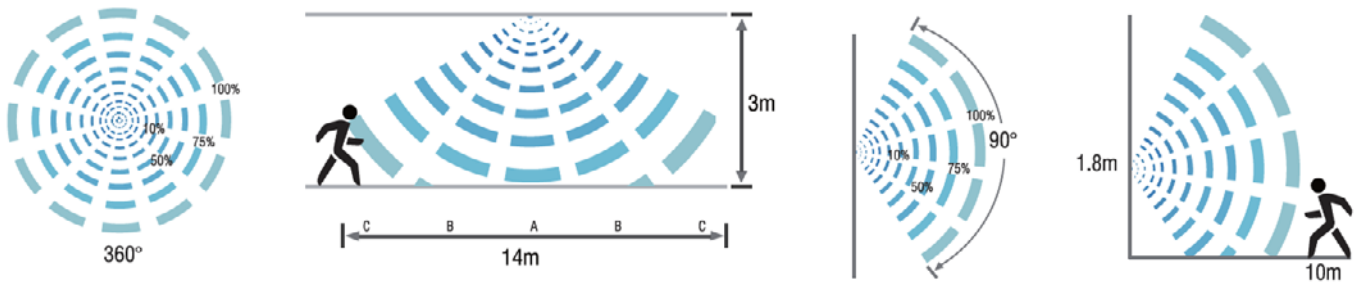
① Colour Temperature	② Dimming	③ Sensor Option
27 (2700K) 30 (3000K) 40 (4000K) 60 (6000K)	ND (Non-Dimming) DA (DALI) D0 (0-10V) PH (Phase)	NA (without Sensor) PIR (with Sensor)

(Example Code Format: LY-LN-ST6-20W-27-ND-NA)

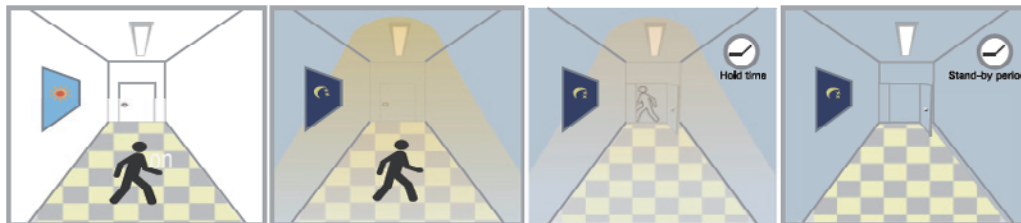
**DIMENSIONS (MM)**



**SENSOR NOTES**



**Note:** Detection coverage is recommended. The actual coverage may vary depending on the luminaire configuration and surrounding environmental conditions.



When motion is detected with sufficient daylight, the light remains OFF.

When motion is detected with insufficient daylight, the light turns ON (10%/30%/50%).

After last detection, the light will dim down to the stand-by light-level (e.g. 10%).

After the stand-by period expires, the light will turn OFF.