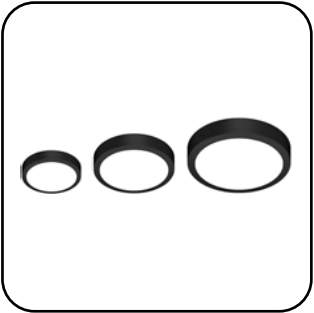


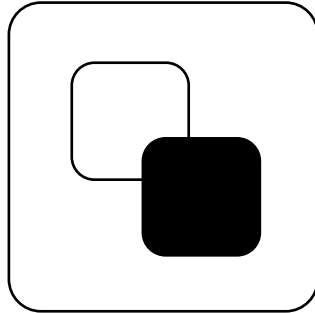


SEER

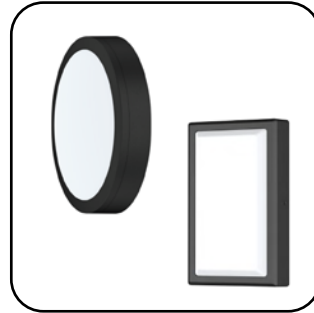
Surface Mounted
Wall Light
Series



Size Options
(\varnothing 200 - \varnothing 350)



Housing Colour
Options



Bezel Style
Options



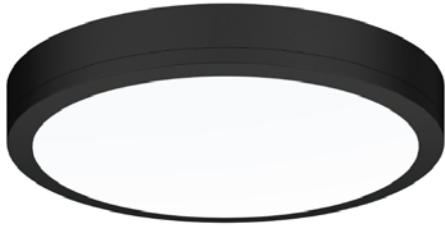
PIR Sensor
(Optional)

SEER

Surface Mounted Bulkhead Light Series

SEER 200

(Round)



CRI 80 90 90+	1-10V	DALI	PHASE
IP65	2-3step McAdam <small>(optional)</small>	Driver Included	Operating Hours > 100,000
IK10	OPERATION TEMP -20°C to 50°C!	5 Years warranty	L70 > 50,000 Hours
		RoHS	CE

SPECIFICATIONS

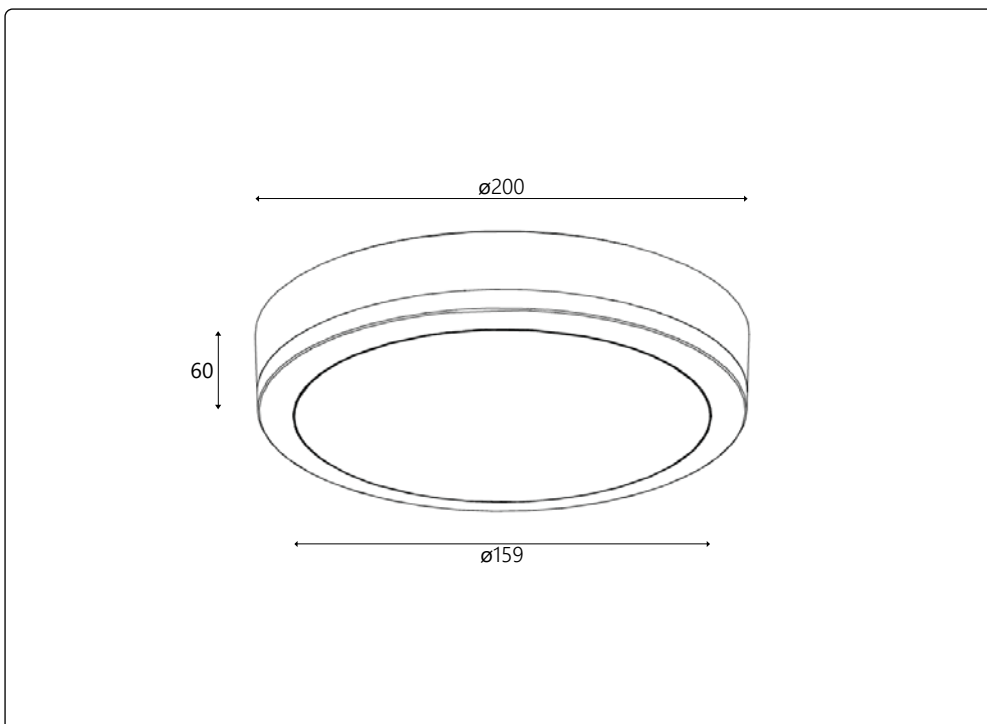
Product Code	LED Output (lm)	LED Power	Efficiency (lm/W)	Input Voltage	Beam Angle
LY-WL-SRR200-12W-①-②-③-④	1250	12W	104.1	100-240Vac	110°

CUSTOMIZABLE SPECIFICATIONS

① Colour Temperature	② Housing Colour	③ Dimming	④ Accessory
27 (2700K) 30 (3000K) 40 (4000K) 60 (6000K)	BK (Black) WH (White)	ND (Non-Dimming) DA (DALI) D0 (0-10V) PH (Phase)	NA (No Accessory) PIR (PIR Sensor)

(Example Code Format: LY-WL-SRR200-12W-27-BK-ND-NA)

DIMENSIONS (MM)



MOUNTING OPTIONS



Ceiling Mounted



Wall Mounted

SEER

Surface Mounted Bulkhead Light Series

SEER 275

(Round)



IP65	CRI 80 90 90+	1-10V	DALI	PHASE
	2-3step McAdam <small>(optional)</small>	Driver Included	Operating Hours > 100,000	L70 > 50,000 Hours
IK10	OPERATION TEMP -20°C to 50°C!	5 Years warranty	RoHS	CE

SPECIFICATIONS



Standard Bezel

Product Code	LED Output (lm)	LED Power	Efficiency (lm/W)	Input Voltage	Beam Angle
LY-WL-SRR275-12W-①-②-③-④	1250	12W	104.1	100-240Vac	110°
LY-WL-SRR275-18W-①-②-③-④	1850	18W	102.8	100-240Vac	110°
LY-WL-SRR275-25W-①-②-③-④	2520	25W	100.8	100-240Vac	110°



Asymmetric Bezel

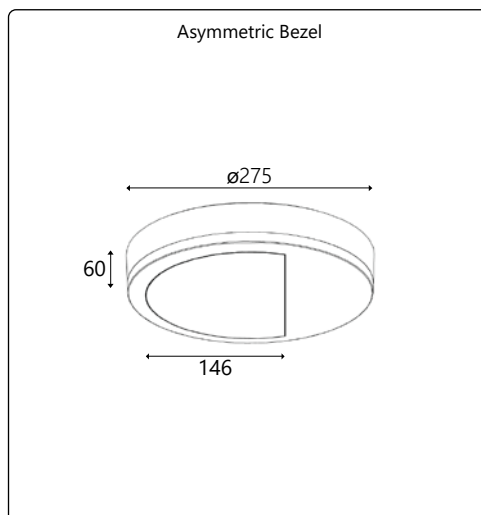
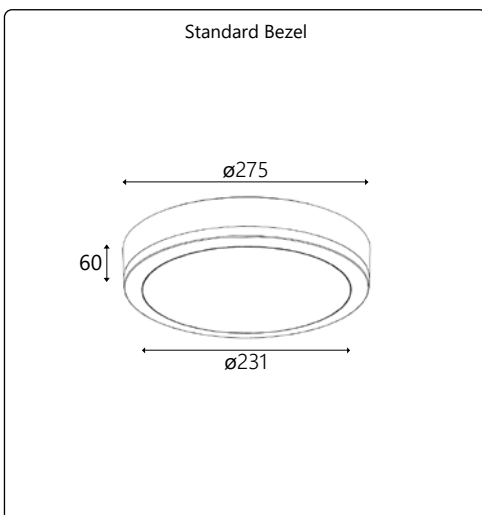
Product Code	LED Output (lm)	LED Power	Efficiency (lm/W)	Input Voltage	Beam Angle
LY-WL-SRR275A-12W-①-②-③-④	800	12W	66.6	100-240Vac	110°
LY-WL-SRR275A-18W-①-②-③-④	1100	18W	61.1	100-240Vac	110°
LY-WL-SRR275A-25W-①-②-③-④	1550	25W	62.0	100-240Vac	110°

CUSTOMIZABLE SPECIFICATIONS

① Colour Temperature	② Housing Colour	③ Dimming	④ Accessory
27 (2700K) 30 (3000K) 40 (4000K) 60 (6000K)	BK (Black) WH (White)	ND (Non-Dimming) DA (DALI) D0 (0-10V) PH (Phase)	NA (No Accessory) PIR (PIR Sensor)

(Example Code Format: LY-WL-SRR275-12W-27-BK-ND-NA)

DIMENSIONS (MM)



MOUNTING OPTIONS



Ceiling Mounted



Wall Mounted

SEER

Surface Mounted Bulkhead Light Series

SEER 350

(Round)



IP65	CRI 80 90 90+	1-10V	DALI	PHASE
	2-3step McAdam <small>(optional)</small>	Driver Included	Operating Hours > 100,000	L70 > 50,000 Hours
IK10	OPERATION TEMP -20°C to 50°C!	5 Years warranty	RoHS	CE

SPECIFICATIONS

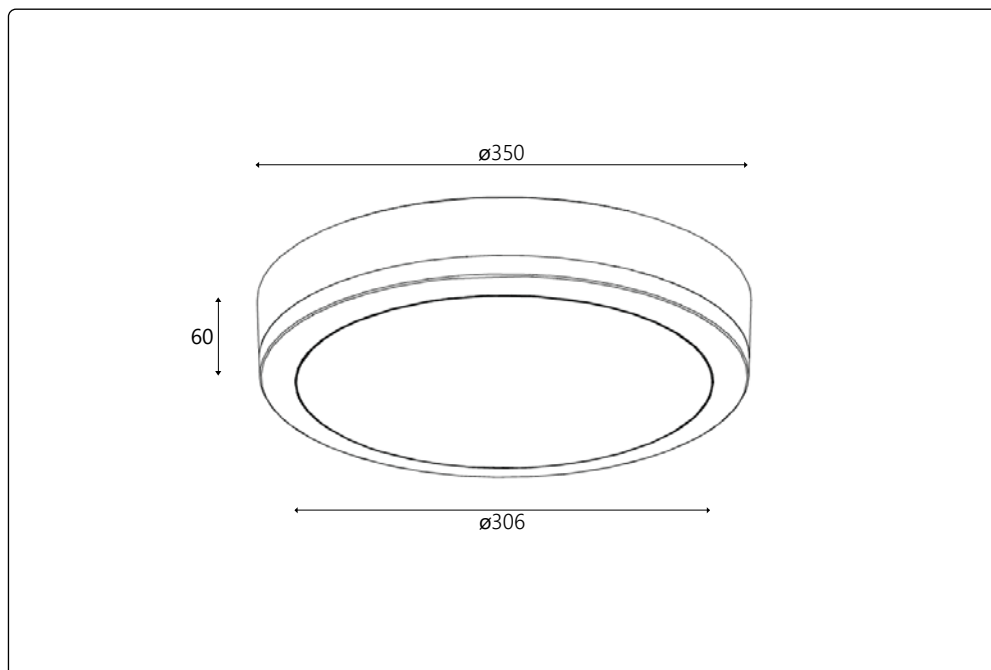
Product Code	LED Output (lm)	LED Power	Efficiency (lm/W)	Input Voltage	Beam Angle
LY-WL-SRR350-25W-①-②-③-④	2520	25W	100.8	100-240Vac	110°
LY-WL-SRR350-30W-①-②-③-④	2900	30W	96.6	100-240Vac	110°

CUSTOMIZABLE SPECIFICATIONS

① Colour Temperature	② Housing Colour	③ Dimming	④ Accessory
27 (2700K) 30 (3000K) 40 (4000K) 60 (6000K)	BK (Black) WH (White)	ND (Non-Dimming) DA (DALI) D0 (0-10V) PH (Phase)	NA (No Accessory) PIR (PIR Sensor)

(Example Code Format: LY-WL-SRR350-25W-27-BK-ND-NA)

DIMENSIONS (MM)



MOUNTING OPTIONS



Ceiling Mounted



Wall Mounted

SEER
Surface Mounted Bulkhead Light Series

SEER 250
(Square)



IP65	CRI 80 90 90+	1-10V	DALI	PHASE
	2-3step McAdam <small>(optional)</small>	Driver Included	Operating Hours > 100,000	L70 > 50,000 Hours
IK10	OPERATION TEMP -20°C to 50°C!	5 Years warranty	RoHS	CE

SPECIFICATIONS

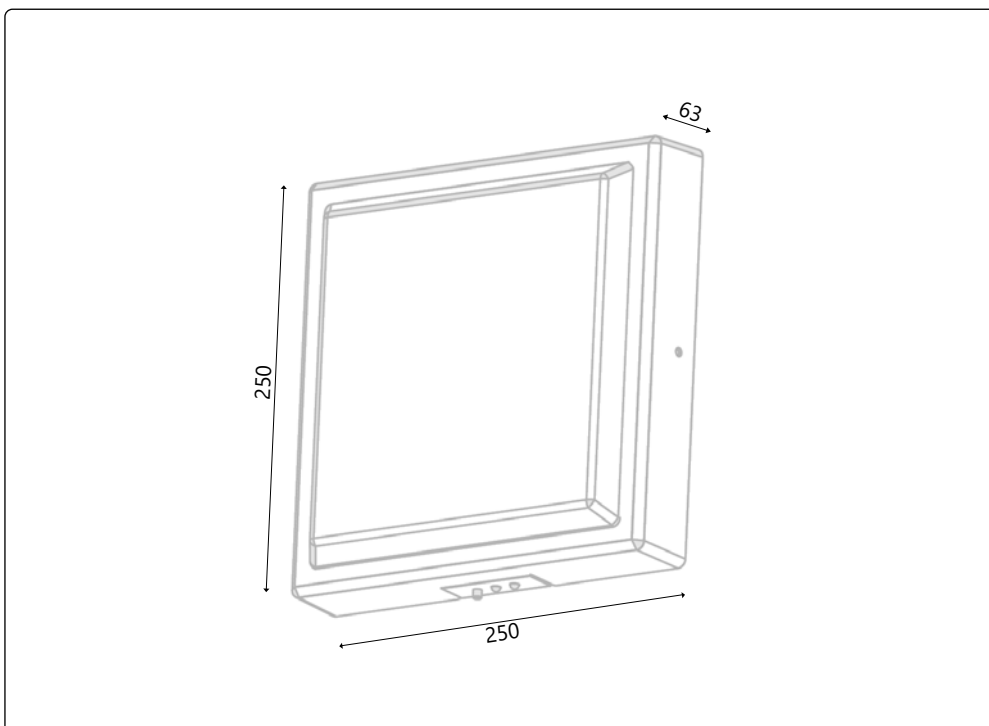
Product Code	LED Output (lm)	LED Power	Efficiency (lm/W)	Input Voltage	Beam Angle
LY-WL-SRS250-15W-①-②-③-④	1780	15W	118.7	230Vac	120°

CUSTOMIZABLE SPECIFICATIONS

① Colour Temperature	② Housing Colour	③ Dimming	④ Accessory
27 (2700K) 30 (3000K) 40 (4000K) 60 (6000K)	BK (Black) WH (White)	ND (Non-Dimming) DA (DALI) D0 (0-10V) PH (Phase)	NA (No Accessory) PIR (PIR Sensor)

(Example Code Format: LY-WL-SRS250-15W-27-BK-ND-NA)

DIMENSIONS (MM)



MOUNTING OPTIONS



Ceiling Mounted

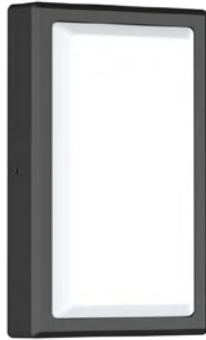


Wall Mounted

SEER

Surface Mounted Bulkhead Light Series

SEER 250 (Rectangle)



IP65	CRI 80 90 90+	1-10V	DALI	PHASE
	2-3step McAdam <small>(optional)</small>	Driver Included	Operating Hours > 100,000	L70 > 50,000 Hours
IK10	OPERATION TEMP -20°C to 50°C!	5 Years warranty	RoHS	CE

SPECIFICATIONS

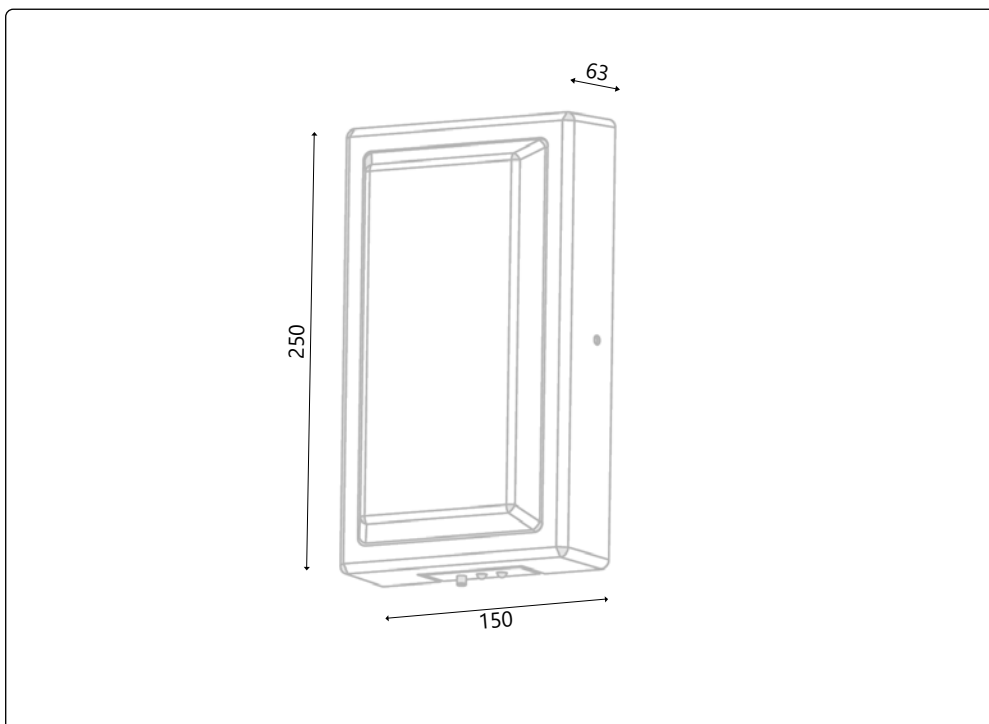
Product Code	LED Output (lm)	LED Power	Efficiency (lm/W)	Input Voltage	Beam Angle
LY-WL-SRRT250-15W-①-②-③-④	1650	15W	110	230Vac	120°

CUSTOMIZABLE SPECIFICATIONS

① Colour Temperature	② Housing Colour	③ Dimming	④ Accessory
27 (2700K) 30 (3000K) 40 (4000K) 60 (6000K)	BK (Black) WH (White)	ND (Non-Dimming) DA (DALI) D0 (0-10V) PH (Phase)	NA (No Accessory) PIR (PIR Sensor)

(Example Code Format: LY-WL-SRRT250-15W-27-BK-ND-NA)

DIMENSIONS (MM)



MOUNTING OPTIONS



Ceiling Mounted



Wall Mounted