

POSEIDON

Underwater
Recessed Lighting
Series



Standard



COB

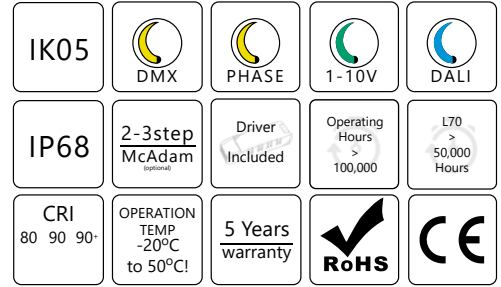


RGBW
(Optional)

POSEIDON

Underwater Recess Light Series

Poseidon Alpha



SPECIFICATIONS

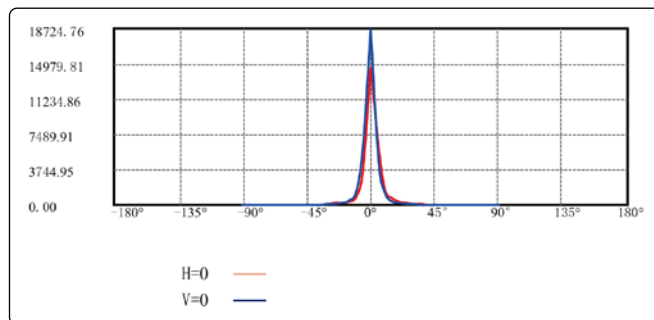
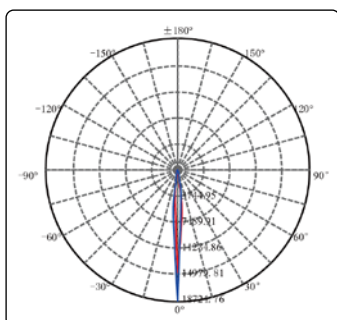
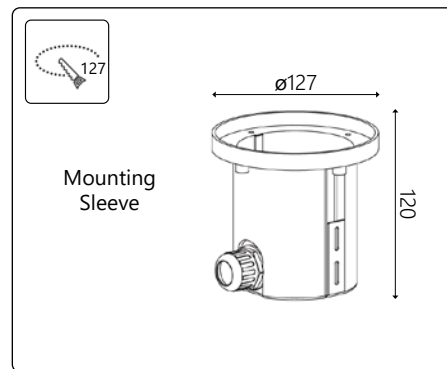
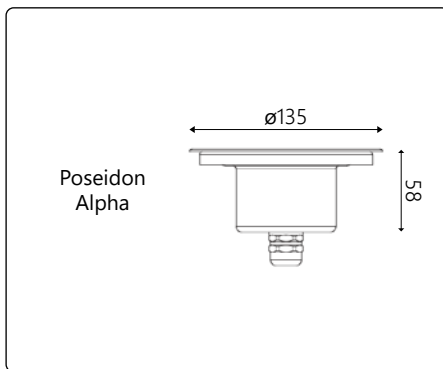
	Product Code	LED Output (lm)	LED Power	Efficiency (lm/W)	IP Rating	IK Rating
Poseidon Alpha (Standard)	LY-UW-PSA-8W-①-②-③-④	520	4 x 2W (White) 4 x 3W (RGB) 4 x 3W (RGBW)	65	68	05
Poseidon Alpha (COB)	LY-UW-PSAC-6W-①-②-③-④	402	1 x 6W	67	68	05

CUSTOMIZABLE SPECIFICATIONS

① Beam Angle	② Colour Temperature	③ Input Voltage	④ Dimming
25D 40D 60D	27 (2700K) 30 (3000K) 40 (4000K) 60 (6000K) RGB RGBW	24V (24Vdc)	ND (Non-Dimming) DA (Dali) D0 (0-10V) PH (Phase) DMX (512 DMX)

(Example Code Format: LY-UW-PSA-8W-25D-27-12V-DA)

DIMENSIONS (MM) & LIGHT DISTRIBUTION



POSEIDON

Underwater Recessed Light Series

Poseidon Beta



IK05	DMX	PHASE	1-10V	DALI
IP68	2-3step McAdam <small>(optional)</small>	Driver Included	Operating Hours > 100,000	L70 > 50,000 Hours
CRI 80 90 90+	OPERATION TEMP -20°C to 50°C!	5 Years warranty	RoHS	CE

SPECIFICATIONS

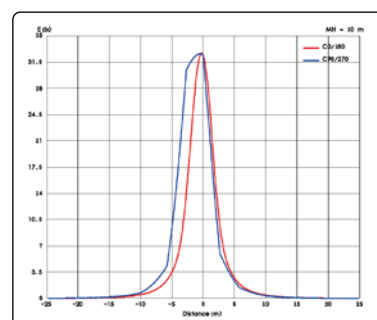
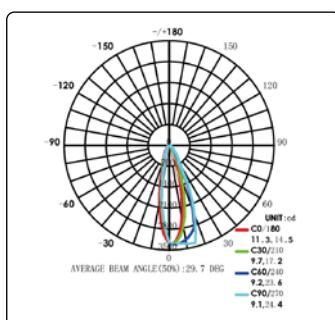
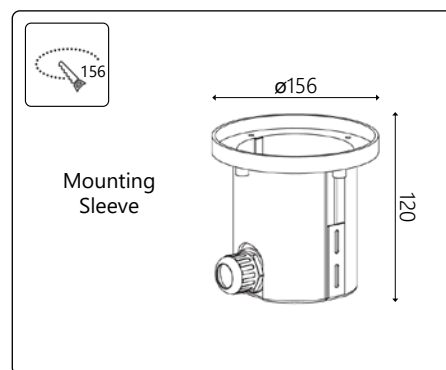
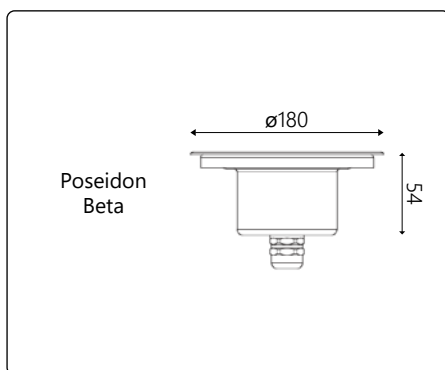
	Product Code	LED Output (lm)	LED Power	Efficiency (lm/W)	IP Rating	IK Rating
Poseidon Beta (Standard)	LY-UW-PSB-12W-①-②-③-④	840	6 x 2W (White) 6 x 3W (RGB) 6 x 3W (RGBW)	70	68	05
Poseidon Beta (COB)	LY-UW-PSBC-12W-①-②-③-④	876	1 x 12W	73	68	05

CUSTOMIZABLE SPECIFICATIONS

① Beam Angle	② Colour Temperature	③ Input Voltage	④ Dimming
25D 40D 60D	27 (2700K) 30 (3000K) 40 (4000K) 60 (6000K) RGB RGBW	24V (24Vdc)	ND (Non-Dimming) DA (Dali) D0 (0-10V) PH (Phase) DMX (512 DMX)

(Example Code Format: LY-UW-PSB-12W-25D-27-12V-DA)

DIMENSIONS (MM) & LIGHT DISTRIBUTION



POSEIDON

Underwater Recess Light Series

Poseidon Gamma



IK05	DMX	PHASE	1-10V	DALI
IP68	2-3step McAdam <small>(optional)</small>	Driver Included	Operating Hours ≥ 100,000	L70 ≥ 50,000 Hours
CRI 80 90 90+	OPERATION TEMP -20°C to 50°C!	5 Years warranty	RoHS	CE

SPECIFICATIONS

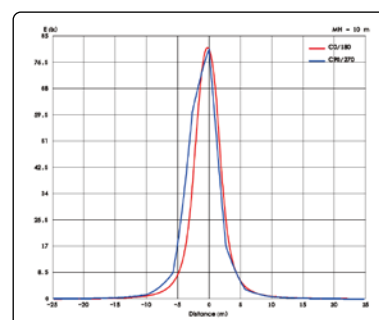
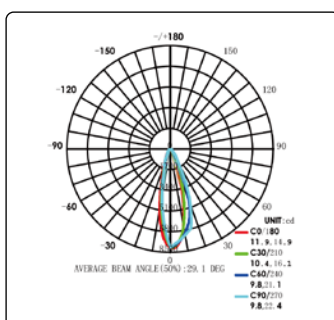
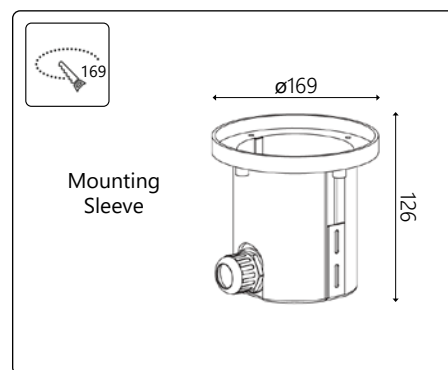
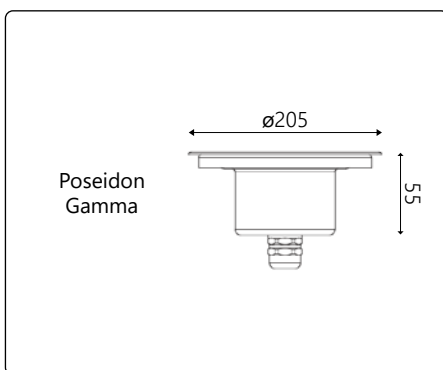
	Product Code	LED Output (lm)	LED Power	Efficiency (lm/W)	IP Rating	IK Rating
Poseidon Gamma (Standard)	LY-UW-PSG-24W-①-②-③-④	1800	12 x 2W (White) 12 x 3W (RGB) 12 x 3W (RGBW)	75	68	05
Poseidon Gamma (COB)	LY-UW-PSGC-24W-①-②-③-④	1872	1 x 24W	78	68	05

CUSTOMIZABLE SPECIFICATIONS

① Beam Angle	② Colour Temperature	③ Input Voltage	④ Dimming
25D 40D 60D	27 (2700K) 30 (3000K) 40 (4000K) 60 (6000K) RGB RGBW	24V (24Vdc)	ND (Non-Dimming) DA (Dali) D0 (0-10V) PH (Phase) DMX (512 DMX)

(Example Code Format: LY-UW-PSG-24W-25D-27-12V-DA)

DIMENSIONS (MM) & LIGHT DISTRIBUTION



POSEIDON

Underwater Recessed Light Series

Poseidon Delta



IK05	DMX	PHASE	1-10V	DALI
IP68	2-3step McAdam <small>(optional)</small>	Driver Included	Operating Hours > 100,000	L70 > 50,000 Hours
CRI 80 90 90+	OPERATION TEMP -20°C to 50°C!	5 Years warranty	RoHS	CE

SPECIFICATIONS

Poseidon Delta
(Standard)

Product Code	LED Output (lm)	LED Power	Efficiency (lm/W)	IP Rating	IK Rating
LY-UW-PSD-36W-①-②-③-④	2880	18 x 2W (White) 18 x 3W (RGB) 18 x 3W (RGBW)	80	68	05

Poseidon Delta
(COB)

Product Code	LED Output (lm)	LED Power	Efficiency (lm/W)	IP Rating	IK Rating
LY-UW-PSDC-36W-①-②-③-④	3024	1 x 36W	84	68	05

CUSTOMIZABLE SPECIFICATIONS

① Beam Angle	② Colour Temperature	③ Input Voltage	④ Dimming
25D 40D 60D	27 (2700K) 30 (3000K) 40 (4000K) 60 (6000K) RGB RGBW	24V (24Vdc)	ND (Non-Dimming) DA (Dali) D0 (0-10V) PH (Phase) DMX (512 DMX)

(Example Code Format: LY-UW-PSD-36W-25D-27-12V-DA)

DIMENSIONS (MM) & LIGHT DISTRIBUTION

