



PEGASUS

Low-Glare Modular
Downlight
Series



COB



Modular
Design



Modular
Bezel
Range



Lens
Accessories

PEGASUS

Low-Glare Modular Downlight Series

Pegasus Alpha



PHASE	1-10V	DALI	Driver Included	
CRI 80 90 90+	IP65 (Optional)	UGR <19	Operating Hours > 100,000	L70 > 50,000 Hours
2-3step McAdam <small>(optional)</small>	OPERATION TEMP -20°C to 50°C!	5 Years warranty	RoHS	CE

SPECIFICATIONS

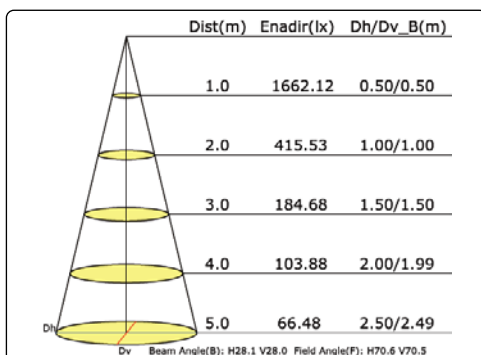
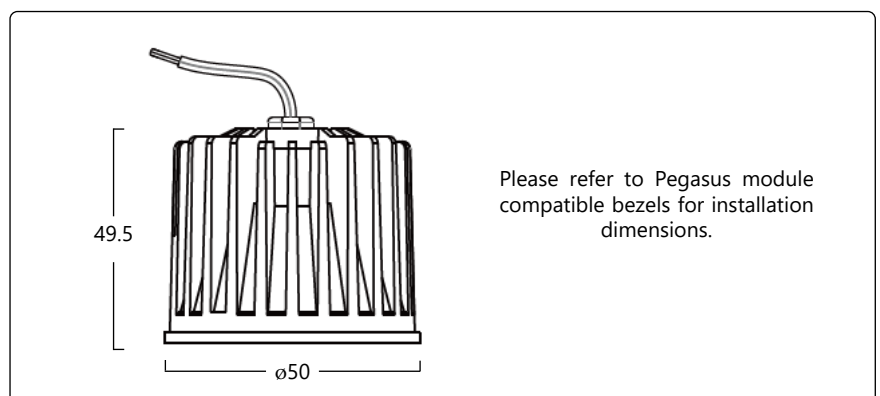
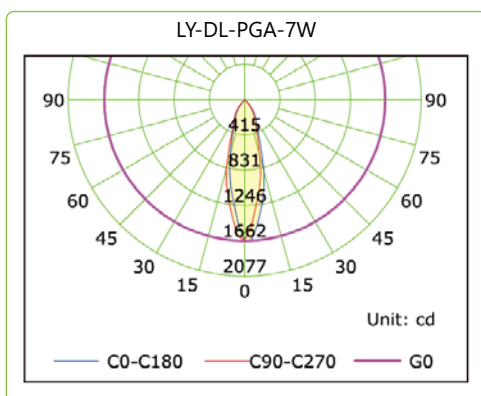
Product Code	LED Output (lm)	LED Power (W)	Efficiency (lm/W)	System Power (W)
LY-DL-PGA-3W-①-②-③-④	399	3	133	4
LY-DL-PGA-5W-①-②-③-④	600	5	120	6
LY-DL-PGA-7W-①-②-③-④	798	7	114	9

CUSTOMIZABLE SPECIFICATIONS

① Beam Angle	② Colour Temperature	③ IP Rating	④ Dimming
15D 24D 36D 60D	27 (2700K) 30 (3000K) 40 (4000K) 60 (6000K)	IP20 IP54 IP65	ND (Non-Dimming) DA (Dali) D0 (0-10V) PH (Phase)

(Example Code Format: LY-DL-PGA-3W-15D-27-IP20-ND)

DIMENSIONS (MM) & LIGHT DISTRIBUTION



ACCESSORIES



Honeycomb

Product Code

LY-DL-PGA-HC



Frosted Center

Product Code

LY-DL-PGA-FR

PEGASUS

Low-Glare Modular Downlight Series

Pegasus Beta



PHASE	1-10V	DALI	Driver Included	
CRI 80 90 90+	IP65 (Optional)	UGR <19	Operating Hours > 100,000	L70 > 50,000 Hours
2-3 step McAdam (optional)	OPERATION TEMP -20°C to 50°C!	5 Years warranty	RoHS	CE

SPECIFICATIONS

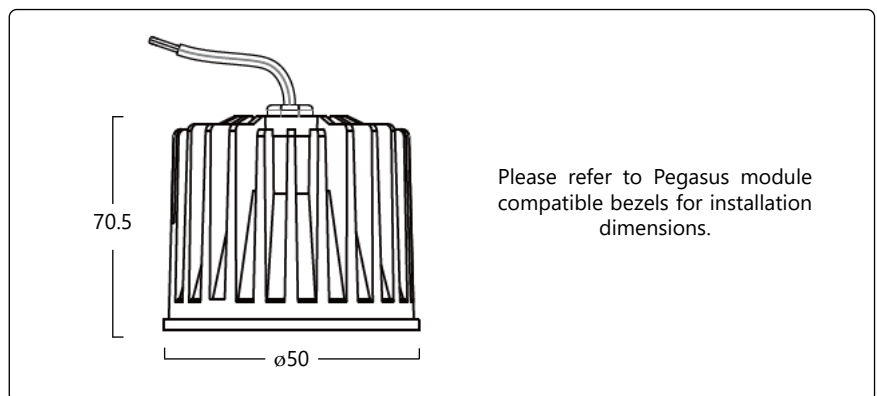
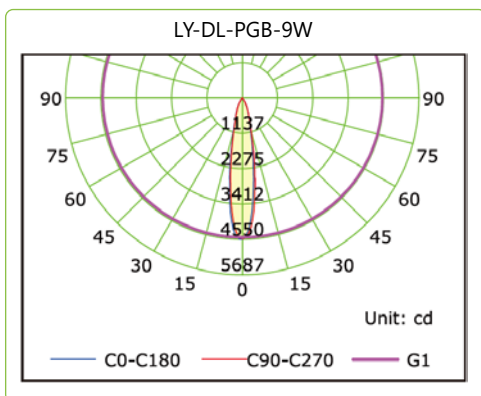
Product Code	LED Output (lm)	LED Power (W)	Efficiency (lm/W)	System Power (W)
LY-DL-PGB-9W-①-②-③-④	1098	9	122	11
LY-DL-PGB-11W-①-②-③-④	1342	11	122	13

CUSTOMIZABLE SPECIFICATIONS

① Beam Angle	② Colour Temperature	③ IP Rating	④ Dimming
15D 24D 36D 60D	27 (2700K) 30 (3000K) 40 (4000K) 60 (6000K)	IP20 IP54 IP65	ND (Non-Dimming) DA (Dali) D0 (0-10V) PH (Phase)

(Example Code Format: LY-DL-PGB-9W-15D-27-IP20-ND)

DIMENSIONS (MM) & LIGHT DISTRIBUTION



Dist(m)	Enadir(lx)	Dh/Dv_B(m)
1.0	4547.12	0.34/0.35
2.0	1136.78	0.68/0.69
3.0	505.24	1.02/1.04
4.0	284.20	1.36/1.39
5.0	181.88	1.70/1.73

Dv Beam Angle(B): H19.3 V19.7 Field Angle(F): H46.5 V46.9

ACCESSORIES

Honeycomb

Product Code
LY-DL-PGB-HC

Frosted Center

Product Code
LY-DL-PGB-FR

PEGASUS

Low-Glare Modular Downlight Series

Pegasus Gamma



PHASE	1-10V	DALI	Driver Included
CRI 80 90 90+	IP65 (Optional)	UGR <19	Operating Hours > 100,000
2-3step McAdam (optional)	OPERATION TEMP -20°C to 50°C!	5 Years warranty	L70 > 50,000 Hours
		RoHS	CE

SPECIFICATIONS

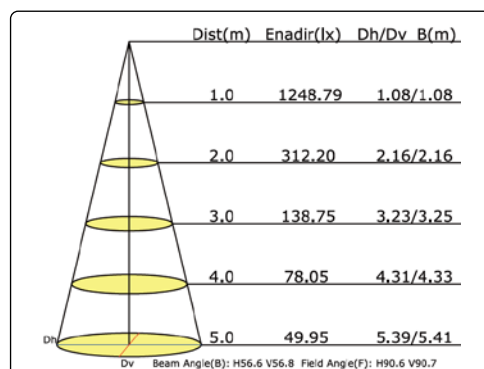
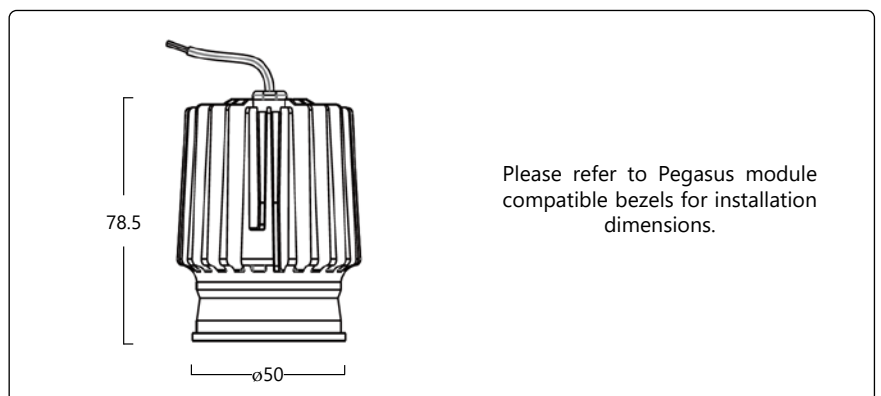
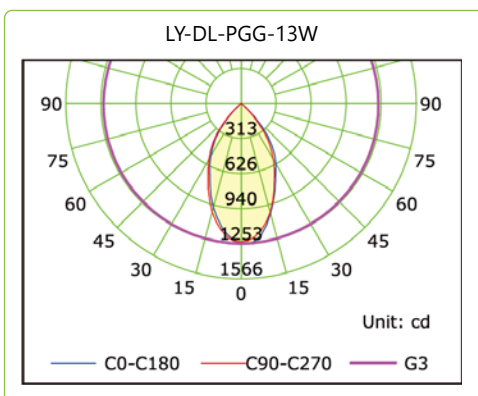
Product Code	LED Output (lm)	LED Power (W)	Efficiency (lm/W)	System Power (W)
LY-DL-PGG-13W-①-②-③-④	1495	13	115	15
LY-DL-PGG-17W-①-②-③-④	1955	17	115	19

CUSTOMIZABLE SPECIFICATIONS

① Beam Angle	② Colour Temperature	③ IP Rating	④ Dimming
15D 24D 36D 60D	27 (2700K) 30 (3000K) 40 (4000K) 60 (6000K)	IP20 IP54 IP65	ND (Non-Dimming) DA (Dali) D0 (0-10V) PH (Phase)

(Example Code Format: LY-DL-PGG-13W-15D-27-IP20-ND)

DIMENSIONS (MM) & LIGHT DISTRIBUTION



ACCESSORIES

Honeycomb

Product Code
LY-DL-PGG-HC

Frosted Center

Product Code
LY-DL-PGG-FR

PEGASUS

Low-Glare Modular Downlight Series

Pegasus Delta



PHASE	1-10V	DALI	Driver Included
CRI 80 90 90+	IP65 (Optional)	UGR <19	Operating Hours > 100,000
2-3step McAdam (optional)	OPERATION TEMP -20°C to 50°C!	5 Years warranty	L70 > 50,000 Hours
		RoHS	CE

SPECIFICATIONS

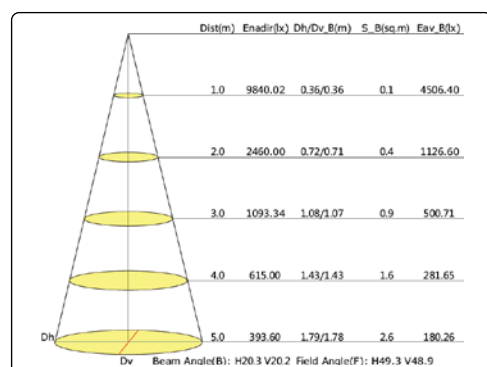
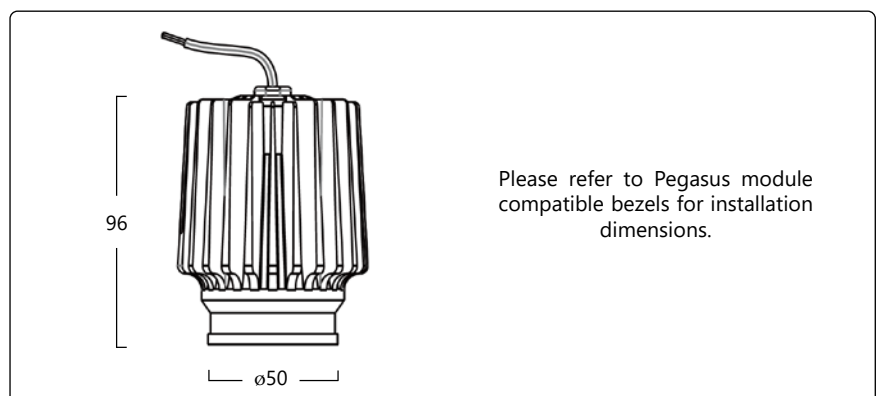
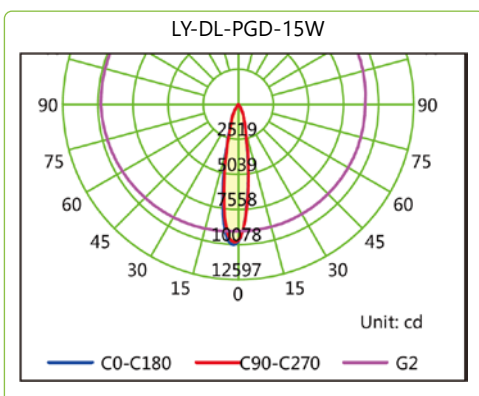
Product Code	LED Output (lm)	LED Power (W)	Efficiency (lm/W)	System Power (W)
LY-DL-PGD-15W-①-②-③-④	1725	15	115	17
LY-DL-PGD-20W-①-②-③-④	2300	20	115	23

CUSTOMIZABLE SPECIFICATIONS

① Beam Angle	② Colour Temperature	③ IP Rating	④ Dimming
15D 24D 36D 60D	27 (2700K) 30 (3000K) 40 (4000K) 60 (6000K)	IP20 IP54 IP65	ND (Non-Dimming) DA (Dali) D0 (0-10V) PH (Phase)

(Example Code Format: LY-DL-PGD-15W-15D-27-IP20-ND)

DIMENSIONS (MM) & LIGHT DISTRIBUTION



ACCESSORIES



Honeycomb

Product Code

LY-DL-PGD-HC



Frosted Center

Product Code

LY-DL-PGD-FR



PEGASUS

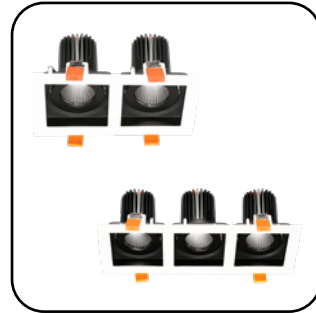
Modular
Bezels



Fixed
&
Adjustable



Round
&
Square



Multi



Trimmed
&
Trimless

PEGASUS

Round Adjustable Modular Bezels

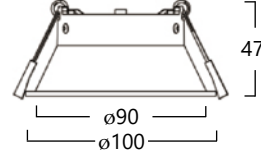
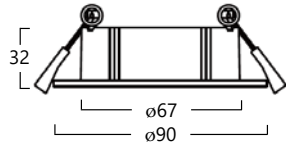
PRA1



Product Code

LY-DLB-PRA1-①-②

DIMENSIONS (MM) & LIGHT DISTRIBUTION



PRA2



Product Code

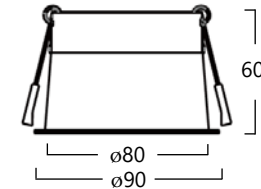
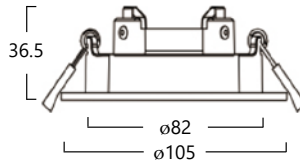
LY-DLB-PRA2-①-②

PRA3



Product Code

LY-DLB-PRA3-①-②



PRA4



Product Code

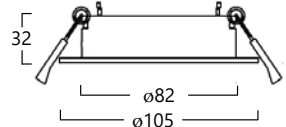
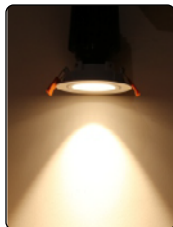
LY-DLB-PRA4-①-②

PRA6



Product Code

LY-DLB-PRA6-①-②



CUSTOMIZABLE SPECIFICATIONS

① Housing Colour	② Reflector Colour
WH (White) GY (Grey) BK (Black) CU (Custom RAL Colour)	WH (White) BK (Black) CM (Chrome) CU (Custom RAL Colour)

(Example Code Format: LY-DLB-PRA1-BK-BK)

PEGASUS

Round Adjustable Modular Bezels

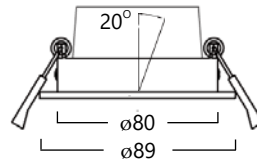
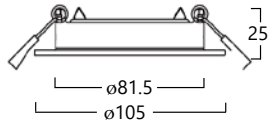
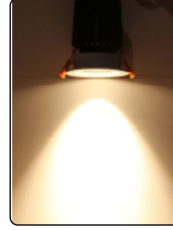
PRA7



Product Code

LY-DLB-PRA7-①-②

DIMENSIONS (MM) & LIGHT DISTRIBUTION



PRA8



Product Code

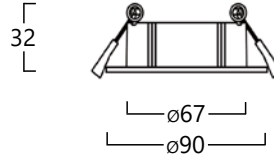
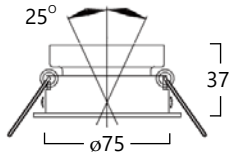
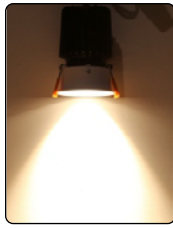
LY-DLB-PRA8-①-②

PRA9



Product Code

LY-DLB-PRA9-①-②



PRA29



Product Code

LY-DLB-PRA29-①-②

CUSTOMIZABLE SPECIFICATIONS

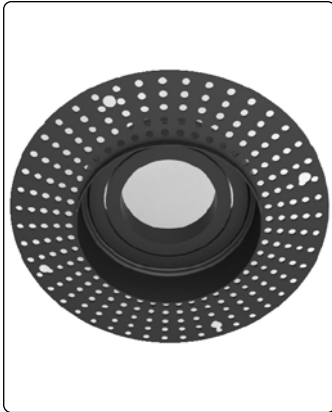
① Housing Colour	② Reflector Colour
WH (White) GY (Grey) BK (Black) CU (Custom RAL Colour)	WH (White) BK (Black) CM (Chrome) CU (Custom RAL Colour)

(Example Code Format: LY-DLB-PRA7-BK-BK)

PEGASUS

Round Adjustable Trimless Modular Bezels

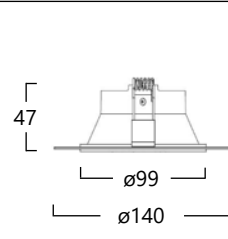
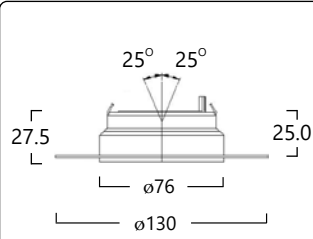
PRAT1 (Trimless)



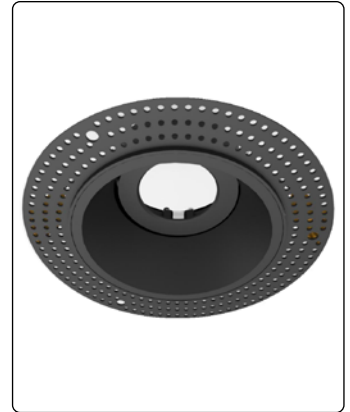
Product Code

LY-DLB-PRAT1-①-②

DIMENSIONS (MM) & LIGHT DISTRIBUTION



PRAT2 (Trimless)



Product Code

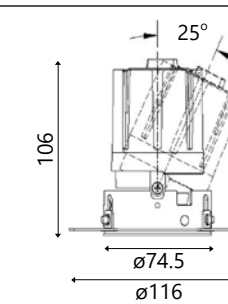
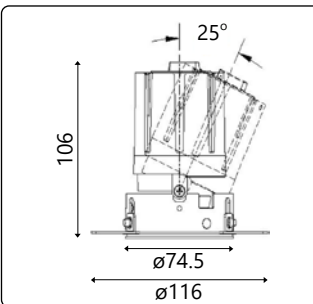
LY-DLB-PRAT2-①-②

PRAT17R (Trimless)



Product Code

LY-DLB-PRAT17R-①-②



PRAT17M (Trimless)



Product Code

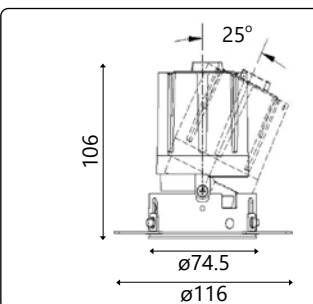
LY-DLB-PRAT17M-①-②

PRAT17E (Trimless)



Product Code

LY-DLB-PRAT17E-①-②



CUSTOMIZABLE SPECIFICATIONS

① Housing Colour	② Reflector Colour
WH (White) GY (Grey) BK (Black) CU (Custom RAL Colour)	WH (White) BK (Black) CM (Chrome) CU (Custom RAL Colour)

(Example Code Format: LY-DLB-PRF1-BK-BK)

PEGASUS

Round Fixed Modular Bezels

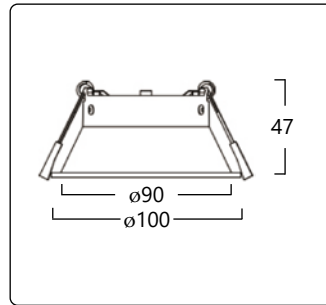
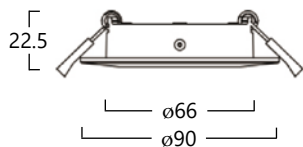
PRF1



Product Code

LY-DLB-PRF1-①-②

DIMENSIONS (MM) & LIGHT DISTRIBUTION



PRF2



Product Code

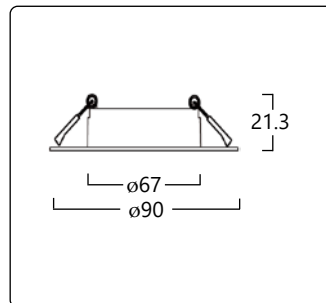
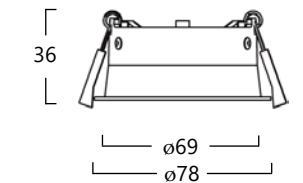
LY-DLB-PRF2-①-②

PRF3



Product Code

LY-DLB-PRF3-①-②



PRF4



Product Code

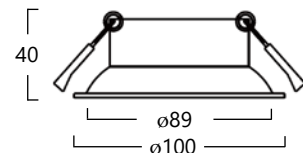
LY-DLB-PRF4-①-②

PRF5



Product Code

LY-DLB-PRF5-①-②



CUSTOMIZABLE SPECIFICATIONS

① Housing Colour	② Reflector Colour
WH (White) GY (Grey) BK (Black) CU (Custom RAL Colour)	WH (White) BK (Black) CM (Chrome) CU (Custom RAL Colour)

(Example Code Format: LY-DLB-PRF1-BK-BK)

PEGASUS

Round Fixed Modular Bezels

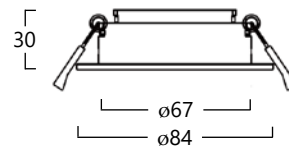
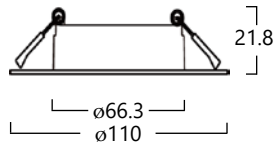
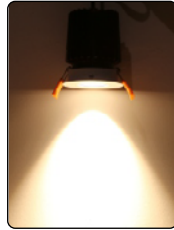
PRF7



Product Code

LY-DLB-PRF7-①-②

DIMENSIONS (MM) & LIGHT DISTRIBUTION



PRF8



Product Code

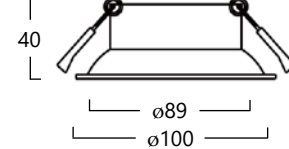
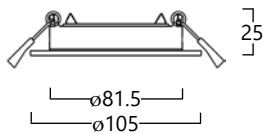
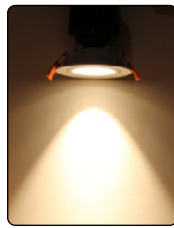
LY-DLB-PRF8-①-②

PRF9



Product Code

LY-DLB-PRF9-①-②



PRF6



Product Code

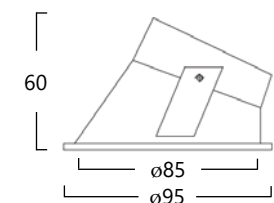
LY-DLB-PRF6-①-②

PRF10



Product Code

LY-DLB-PRF10-①-②



PRF6 COLOUR OPTIONS



CUSTOMIZABLE SPECIFICATIONS

① Housing Colour	② Reflector Colour
WH (White) GY (Grey) BK (Black) CU (Custom RAL Colour)	WH (White) BK (Black) CM (Chrome) CU (Optional RAL Colour)

(Example Code Format: LY-DLB-PRF1-BK-BK)

PEGASUS

Round Fixed Modular Bezels

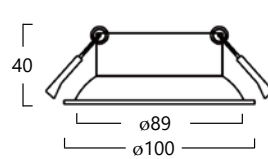
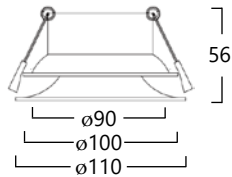
PRF11



Product Code

LY-DLB-PRF11-①-②

DIMENSIONS (MM) & LIGHT DISTRIBUTION



PRF12



Product Code

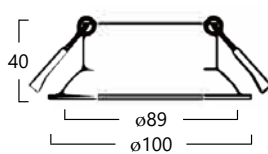
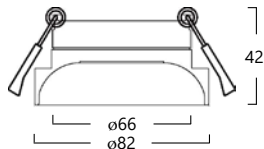
LY-DLB-PRF12-①-②

PRF14



Product Code

LY-DLB-PRF14-①-②



PRF15



Product Code

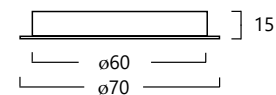
LY-DLB-PRF15-①-②

PRF16



Product Code

LY-DLB-PRF16-①-②



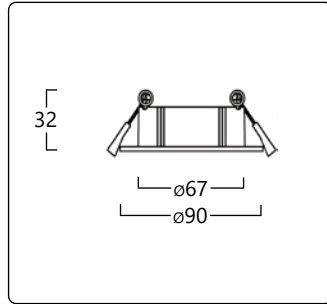
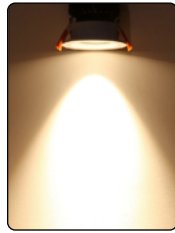
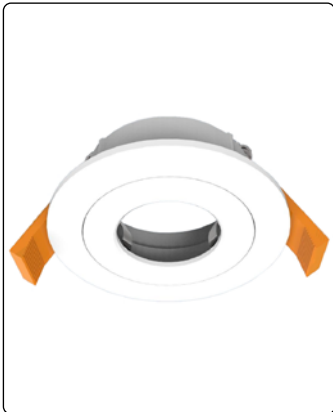
CUSTOMIZABLE SPECIFICATIONS

① Housing Colour	② Reflector Colour
WH (White) GY (Grey) BK (Black) CU (Custom RAL Colour)	WH (White) BK (Black) CM (Chrome) CU (Custom RAL Colour)

(Example Code Format: LY-DLB-PRF11-BK-BK)

PRF29

DIMENSIONS (MM) & LIGHT DISTRIBUTION



Product Code

LY-DLB-PRF29-①-②

CUSTOMIZABLE SPECIFICATIONS

① Housing Colour	② Reflector Colour
WH (White) GY (Grey) BK (Black) CU (Any RAL Colour)	WH (White) BK (Black) CM (Chrome) CU (Any RAL Colour)

(Example Code Format: LY-DLB-PRF29-BK-BK)

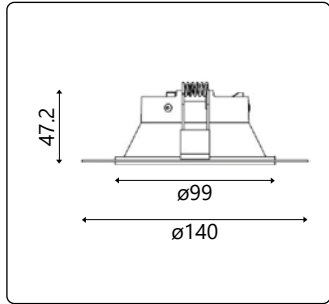
PEGASUS

Round Fixed Trimless Modular Bezels

PRFT2



DIMENSIONS (MM) & LIGHT DISTRIBUTION



Product Code

LY-DLB-PRFT2-①-②

CUSTOMIZABLE SPECIFICATIONS

① Housing Colour	② Reflector Colour
WH (White) GY (Grey) BK (Black) CU (Any RAL Colour)	WH (White) BK (Black) CM (Chrome) CU (Any RAL Colour)

(Example Code Format: LY-DLB-PRFT2-BK-BK)

PEGASUS

Square Fixed Modular Bezels

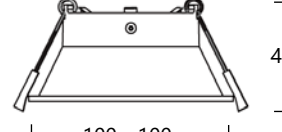
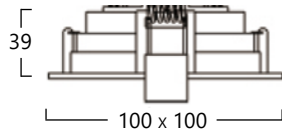
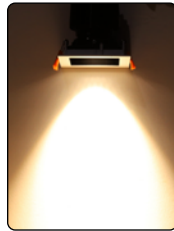
PSQF1



Product Code

LY-DLB-PSQF1-①-②

DIMENSIONS (MM) & LIGHT DISTRIBUTION



PSQ4



Product Code

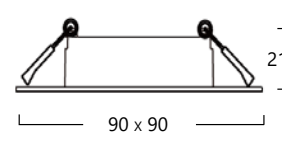
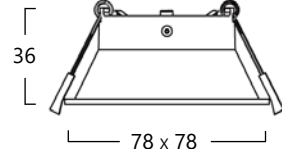
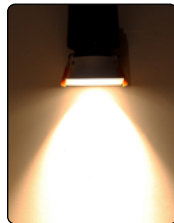
LY-DLB-PSQ4-①-②

PSQ5



Product Code

LY-DLB-PSQ5-①-②



PSQ6



Product Code

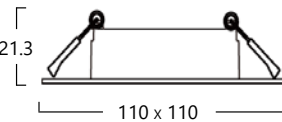
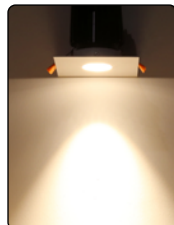
LY-DLB-PSQ6-①-②

PSQ7



Product Code

LY-DLB-PSQ7-①-②



CUSTOMIZABLE SPECIFICATIONS

① Housing Colour	② Reflector Colour
WH (White) GY (Grey) BK (Black) CU (Custom RAL Colour)	WH (White) BK (Black) CM (Chrome) CU (Custom RAL Colour)

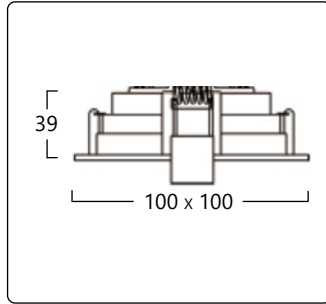
(Example Code Format: LY-DLB-PRF11-BK-BK)

VERGUS

Square Adjustable Downlight Series

PSQA1

DIMENSIONS (MM) & LIGHT DISTRIBUTION



Product Code

LY-DLB-PSQA1-①-②

CUSTOMIZABLE SPECIFICATIONS

① Housing Colour	② Reflector Colour
WH (White) GY (Grey) BK (Black) CU (Custom RAL Colour)	WH (White) BK (Black) CM (Chrome) CU (Custom RAL Colour)

(Example Code Format: LY-DLB-PRF11-BK-BK)

PEGASUS

Square Multi Modular Bezels

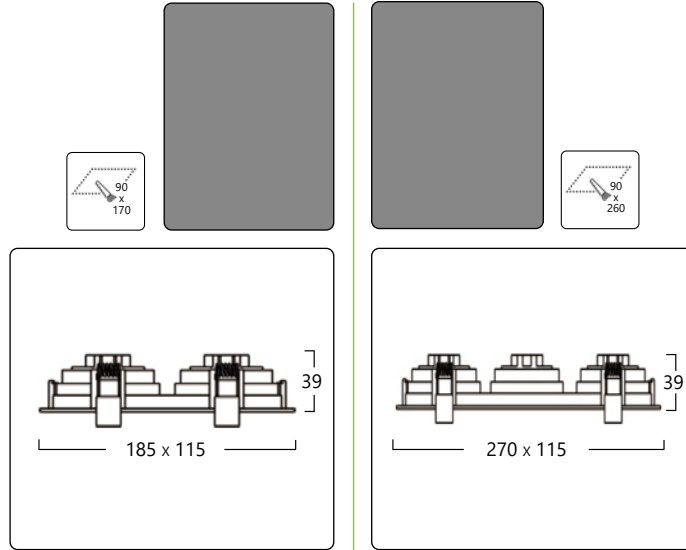
PSQ2



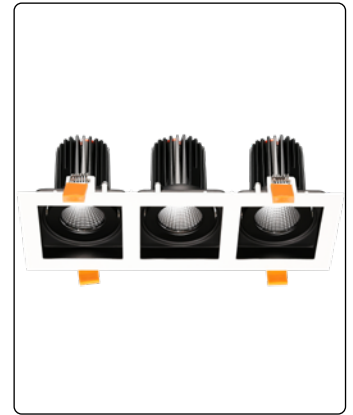
Product Code

LY-DLB-PSQ2-①-②

DIMENSIONS (MM) & LIGHT DISTRIBUTION



PSQ3



Product Code

LY-DLB-PSQ3-①-②

CUSTOMIZABLE SPECIFICATIONS

① Housing Colour	② Reflector Colour
WH (White) GY (Grey) BK (Black) CU (Custom RAL Colour)	WH (White) BK (Black) CM (Chrome) CU (Custom RAL Colour)

(Example Code Format: LY-DLB-PSQ2-BK-BK)

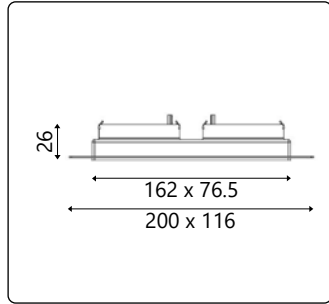
PEGASUS

Square Trimless Multi Modular Bezels

PSQ2T (Trimless)



DIMENSIONS (MM) & LIGHT DISTRIBUTION



Product Code

LY-DLB-PSQ2T-①-②

CUSTOMIZABLE SPECIFICATIONS

① Housing Colour	② Reflector Colour
WH (White) GY (Grey) BK (Black) CU (Custom RAL Colour)	WH (White) BK (Black) CM (Chrome) CU (Custom RAL Colour)

(Example Code Format: LY-DLB-PSQ2-BK-BK)



VERGO

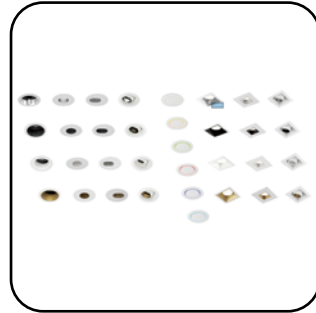
Low-Glare Modular
Spotlight
Series



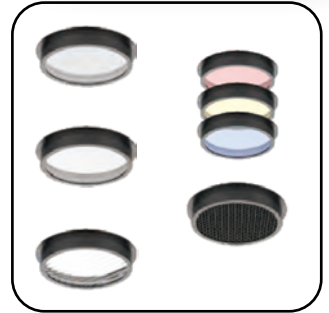
COB



Modular
Design



Modular
Bezel
Range



Lens
Accessories

VERGO

Low-Glare Modular Downlight Series

Vergo Alpha



PHASE	1-10V	DALI	Driver Included	
CRI 80 90 90+	IP65 (Optional)	UGR <19	Operating Hours > 100,000	L70 > 50,000 Hours
2-3step McAdam (optional)	OPERATION TEMP -20°C to 50°C!	5 Years warranty	RoHS	CE

SPECIFICATIONS

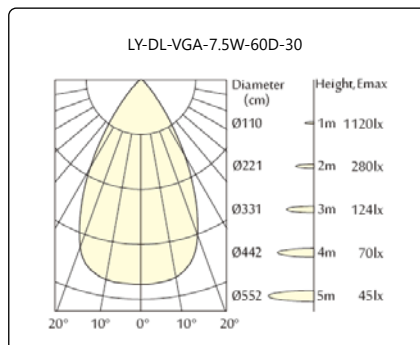
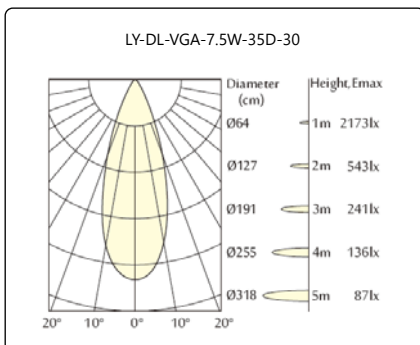
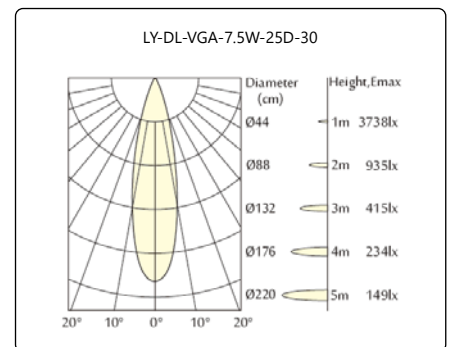
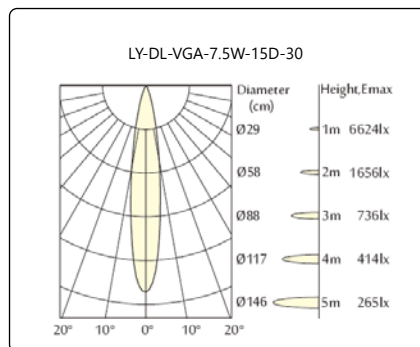
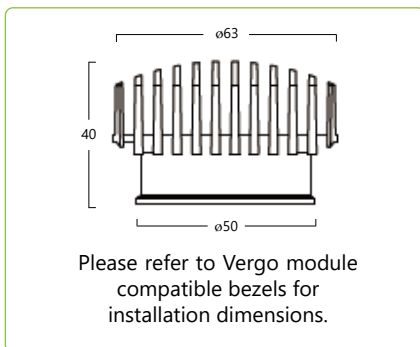
Product Code	LED Output (lm)	LED Power (W)	Efficiency (lm/W)	System Power (W)
LY-DL-VGA-5W-①-②-③-④	600	5	120	7
LY-DL-VGA-7.5W-①-②-③-④	900	7.5	120	9
LY-DL-VGA-11W-①-②-③-④	1320	11	120	13

CUSTOMIZABLE SPECIFICATIONS

① Beam Angle	② Colour Temperature	③ IP Rating	④ Dimming
15D 25D 35D 60D	27 (2700K) 30 (3000K) 40 (4000K) 60 (6000K)	IP20 IP54 IP65	ND (Non-Dimming) DA (Dali) D0 (0-10V) PH (Phase)

(Example Code Format: LY-DL-VGA-7.5W-15D-27-IP20-ND)

DIMENSIONS (MM) & LIGHT DISTRIBUTION



LENS ACCESSORY



Honeycomb

Product Code

LY-DL-VGA-HC

VERGO

Low-Glare Modular Downlight Series

Vergo Beta



PHASE	1-10V	DALI	Driver Included	
CRI 80 90 90+	IP65 (Optional)	UGR <19	Operating Hours > 100,000	L70 > 50,000 Hours
2-3step McAdam <small>(optional)</small>	OPERATION TEMP -20°C to 50°C!	5 Years warranty	RoHS	CE

SPECIFICATIONS

Product Code	LED Output (lm)	LED Power (W)	Efficiency (lm/W)	System Power (W)
LY-DL-VGB-9W-①-②-③-④	1170	9	130	11
LY-DL-VGB-13W-①-②-③-④	1690	13	130	15

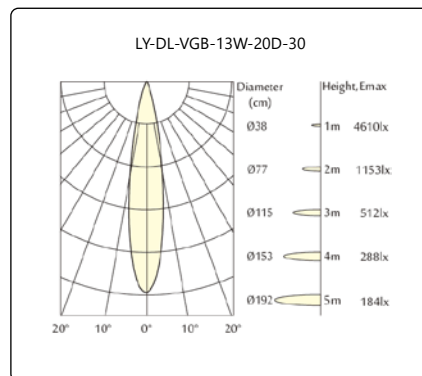
CUSTOMIZABLE SPECIFICATIONS

① Beam Angle	② Colour Temperature	③ IP Rating	④ Dimming
25D 35D 60D	27 (2700K) 30 (3000K) 40 (4000K) 60 (6000K)	IP20 IP54 IP65	ND (Non-Dimming) DA (Dali) D0 (0-10V) PH (Phase)

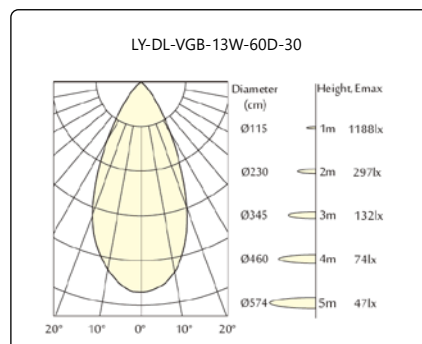
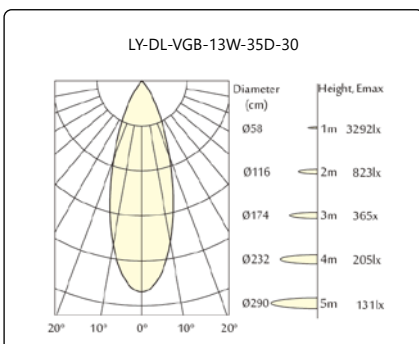
(Example Code Format: LY-DL-VGB-9W-25D-27-IP20-ND)

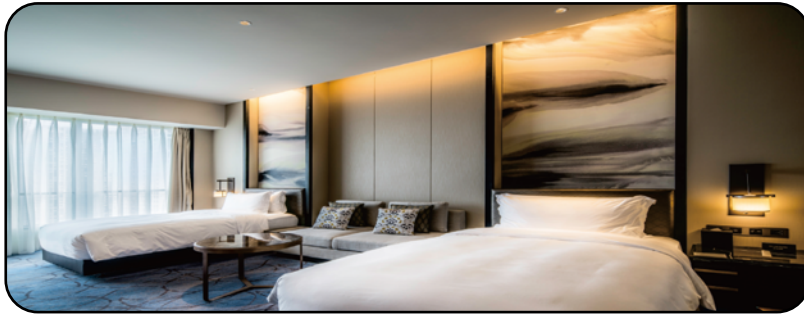
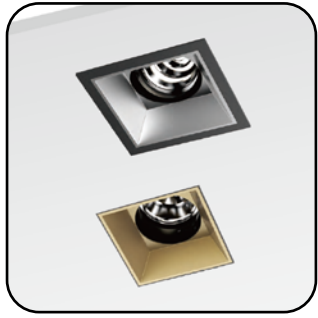
DIMENSIONS (MM) & LIGHT DISTRIBUTION

Please refer to Vergo module compatible bezels for installation dimensions.



Product Code
LY-DL-VGB-HC





VERGO

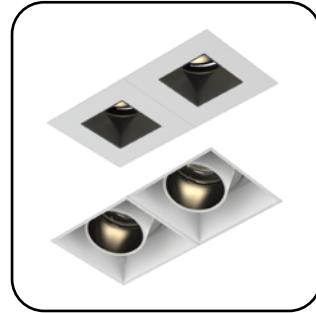
Modular
Bezels



Fixed
&
Adjustable



Round
&
Square



Multi

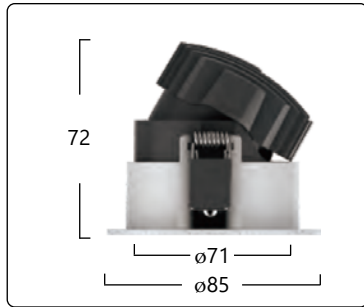


Trimmed
&
Trimless

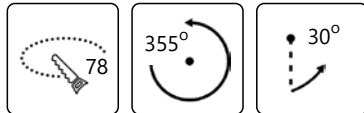
VERGO

Adjustable Modular Bezels

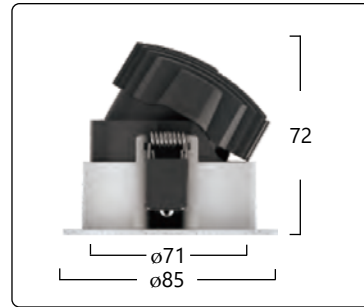
VRA1



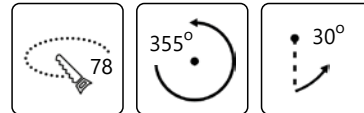
Product Code
LY-DLB-VRA1-①-②



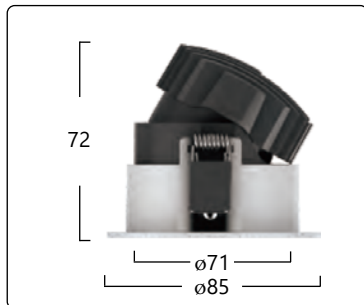
VRA2



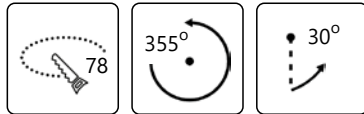
Product Code
LY-DLB-VRA2-①-②



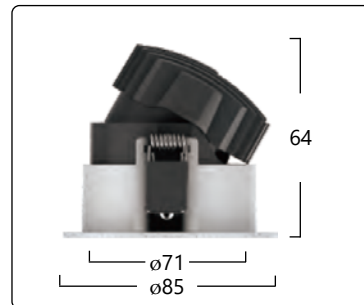
VRA3



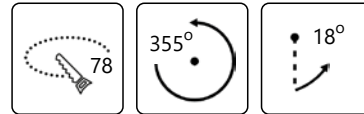
Product Code
LY-DLB-VRA3-①-②



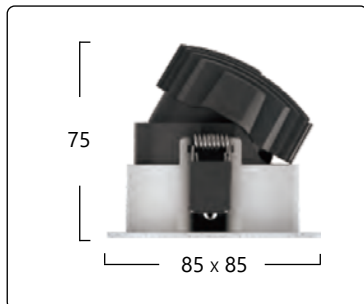
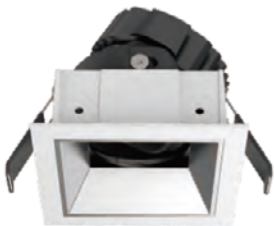
VRA4



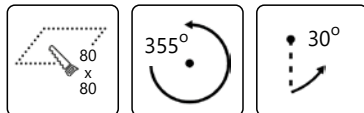
Product Code
LY-DLB-VRA4-①-②



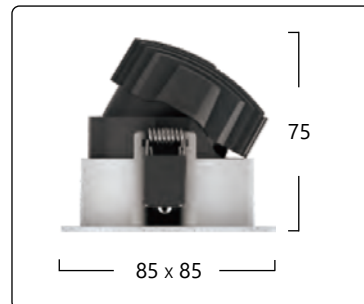
VSA1



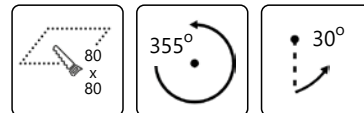
Product Code
LY-DLB-VSA1-①-②



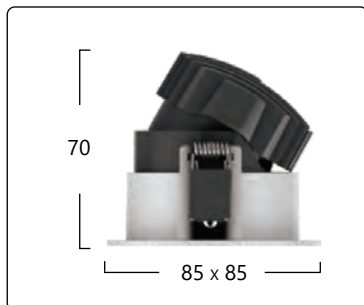
VSA2



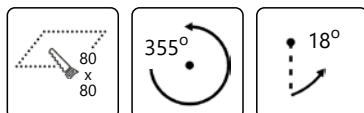
Product Code
LY-DLB-VSA2-①-②



VSA4



Product Code
LY-DLB-VSA4-①-②



CUSTOMIZABLE SPECIFICATIONS

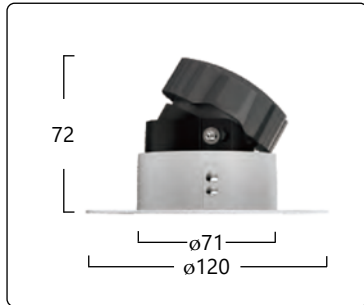
① Housing Colour	② Reflector Colour
WH (White) GY (Grey) BK (Black) CU (Custom RAL Colour)	WH (White) BK (Black) CM (Chrome) CU (Custom RAL Colour)

(Example Code Format: LY-DLB-VRA1-BK-BK)

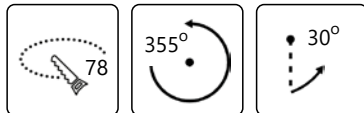
VERGO

Adjustable Modular Bezels

VRAT1
(Trimless)

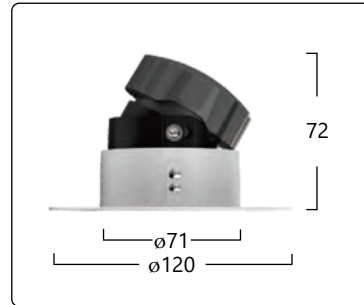


Product Code
LY-DLB-VRAT1-①-②

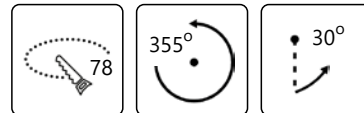


DIMENSIONS (MM)

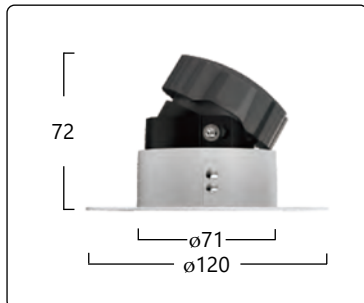
VRAT2
(Trimless)



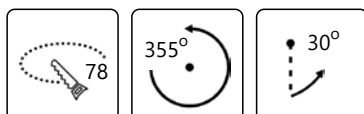
Product Code
LY-DLB-VRAT2-①-②



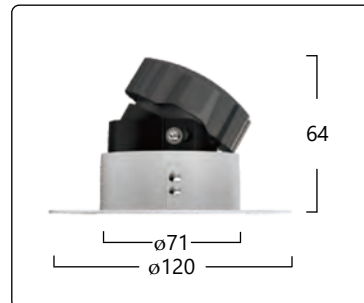
VRAT3
(Trimless)



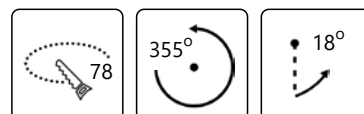
Product Code
LY-DLB-VRAT3-①-②



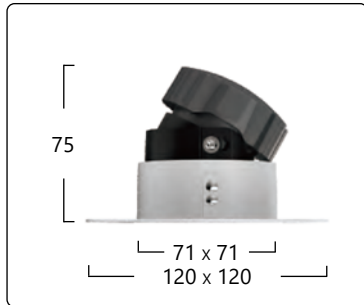
VRAT4
(Trimless)



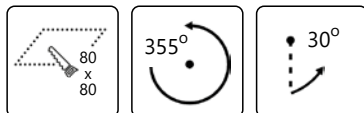
Product Code
LY-DLB-VRAT4-①-②



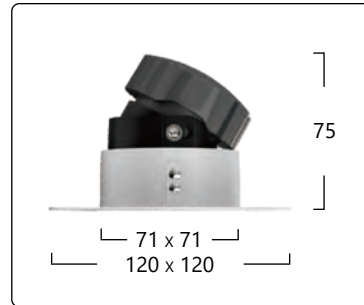
VSAT1
(Trimless)



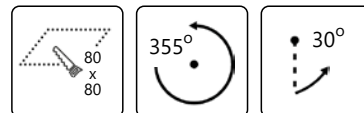
Product Code
LY-DLB-VSAT1-①-②



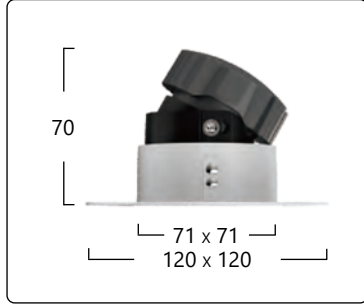
VSAT2
(Trimless)



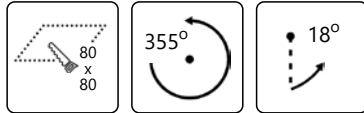
Product Code
LY-DLB-VSAT2-①-②



VSAT4
(Trimless)



Product Code
LY-DLB-VSAT4-①-②



CUSTOMIZABLE SPECIFICATIONS

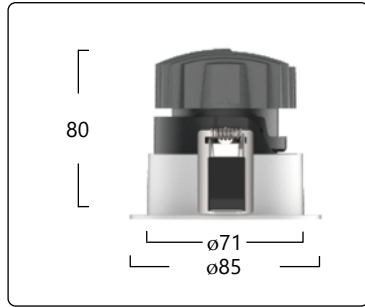
① Housing Colour	② Reflector Colour
WH (White) GY (Grey) BK (Black) CU (Custom RAL Colour)	WH (White) BK (Black) CM (Chrome) CU (Custom RAL Colour)

(Example Code Format: LY-DLB-VRAT1-BK-BK)

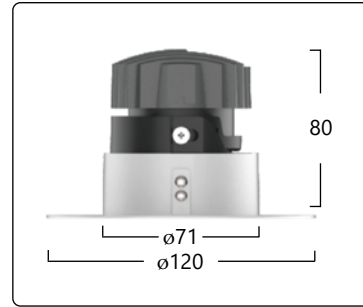
VERGO

Fixed Modular Bezels

VRF1



DIMENSIONS (MM)

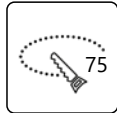


VRFT1 (Trimless)



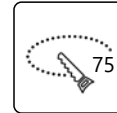
Product Code

LY-DLB-VRF1-①-②

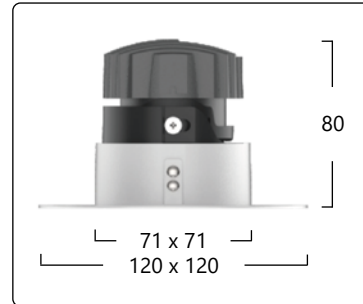
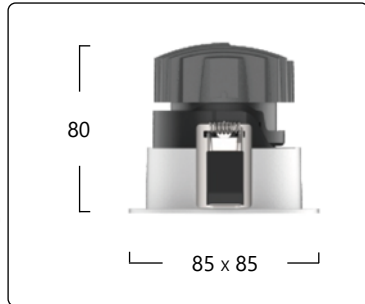
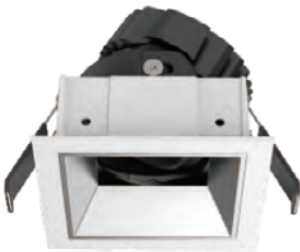


Product Code

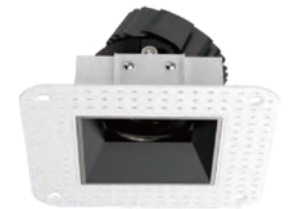
LY-DLB-VRFT1-①-②



VSF1

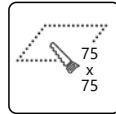


VSFT1 (Trimless)



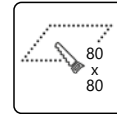
Product Code

LY-DLB-VSF1-①-②



Product Code

LY-DLB-VSFT1-①-②



CUSTOMIZABLE SPECIFICATIONS

① Housing Colour	② Reflector Colour
WH (White) GY (Grey) BK (Black) CU (Custom RAL Colour)	WH (White) BK (Black) CM (Chrome) CU (Custom RAL Colour)

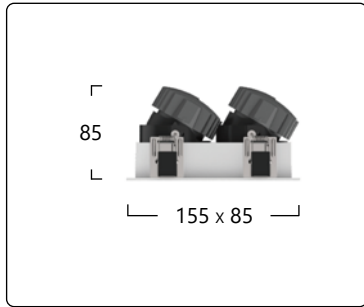
(Example Code Format: LY-DLB-VRF1-BK-BK)

VERGO

Square Multi Modular Bezels

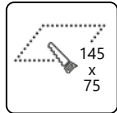
VSA1-2

DIMENSIONS (MM)

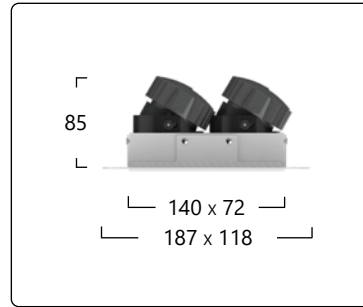
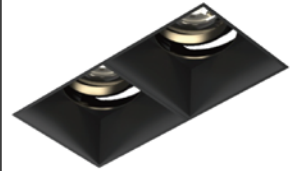


Product Code

LY-DLB-VSA1-2-①-②

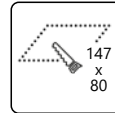


VSAT1-2 (Trimless)

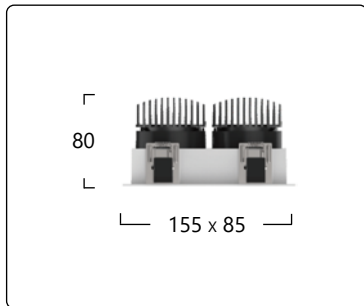
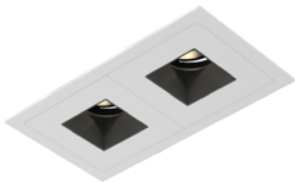


Product Code

LY-DLB-VSAT1-2-①-②

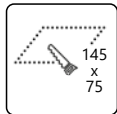


VSF2-2

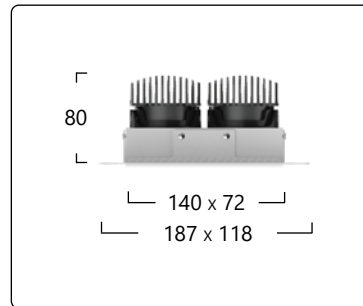
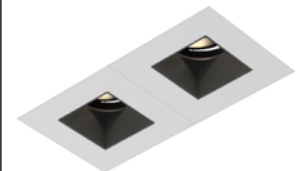


Product Code

LY-DLB-VSF2-2-①-②

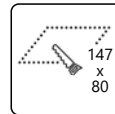


VSFT2-2 (Trimless)

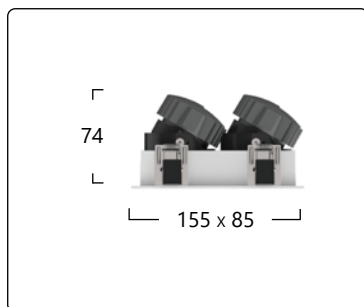


Product Code

LY-DLB-VSFT2-2-①-②

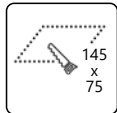


VSA4-2

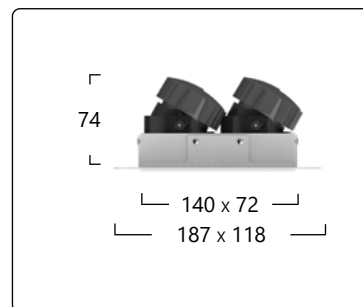
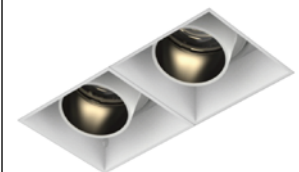


Product Code

LY-DLB-VSA4-2-①-②

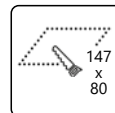


VSAT4-2 (Trimless)



Product Code

LY-DLB-VSAT4-2-①-②



CUSTOMIZABLE SPECIFICATIONS

① Housing Colour	② Reflector Colour
WH (White) GY (Grey) BK (Black) CU (Custom RAL Colour)	WH (White) BK (Black) CM (Chrome) CU (Custom RAL Colour)

(Example Code Format: LY-DLB-VSA1-2-BK-BK)