

MINI

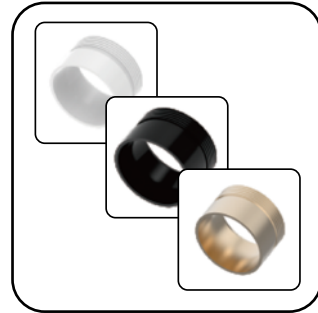
Spot
Downlight
Series



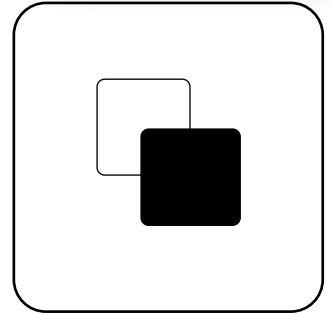
Retractable
Options



Spotlight & Downlight
Modes



Reflector Colour
Options



Housing Colour
Options

MINi

Retractable Spotlight Series

R MINI 30



PHASE	1-10V	DALI	Driver Included
CRI 80 90 90+	IP65 (Optional)	UGR <19	Operating Hours > 100,000
2-3step McAdam (optional)	OPERATION TEMP -20°C to 50°C!	5 Years warranty	L70 > 50,000 Hours
		RoHS	CE

SPECIFICATIONS

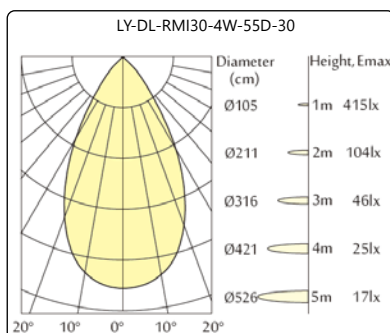
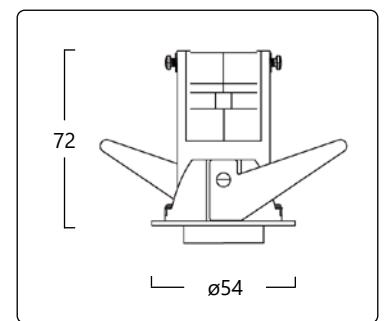
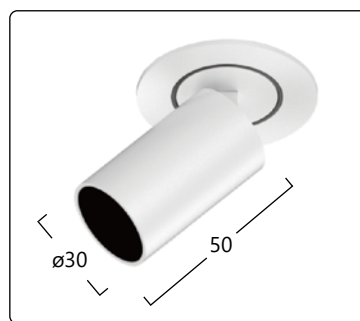
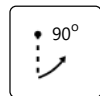
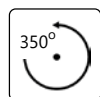
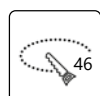
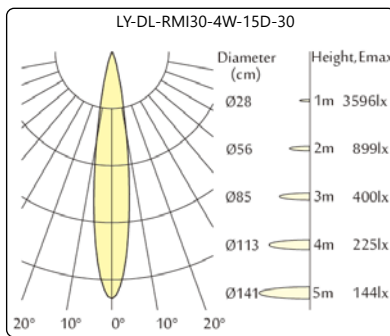
Product Code	LED Output (lm)	LED Power (W)	Efficiency (lm/W)	System Power (W)
LY-DL-RMI30-4W-①-②-③-④-⑤-⑥	480	4	120	6

CUSTOMIZABLE SPECIFICATIONS

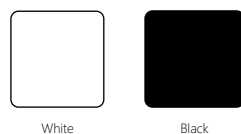
① Beam Angle	② Colour Temperature	③ Housing Colour	④ Reflector Colour	⑤ IP Rating	⑥ Dimming
15D 30D 55D	27 (2700K) 30 (3000K) 40 (4000K) 60 (6000K)	WH (White) BK (Black)	WH (White) BK (Black) GD (Gold)	IP20 IP54 IP65	ND (Non-Dim) DA (Dali) D0 (0-10V) PH (Phase)

(Example Code Format: LY-DL-RMI30-4W-30D-30-BK-GD-IP65-DA)

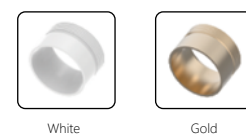
DIMENSIONS (MM) & LIGHT DISTRIBUTION



HOUSING COLOURS



REFLECTOR COLOURS



MINI

Retractable Spotlight Series

R MINI 55



PHASE	1-10V	DALI	Driver Included
CRI 80 90 90+	IP65 (Optional)	UGR <19	Operating Hours > 100,000
2-3step McAdam (optional)	OPERATION TEMP -20°C to 50°C!	5 Years warranty	L70 > 50,000 Hours
		RoHS	CE

SPECIFICATIONS

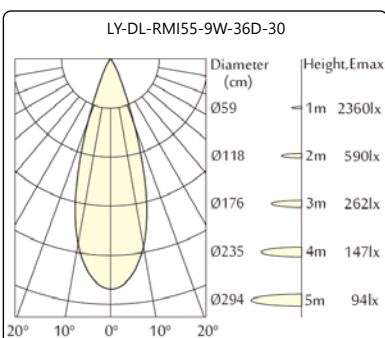
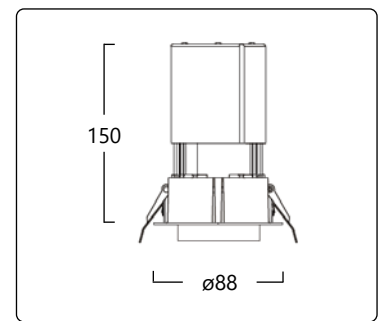
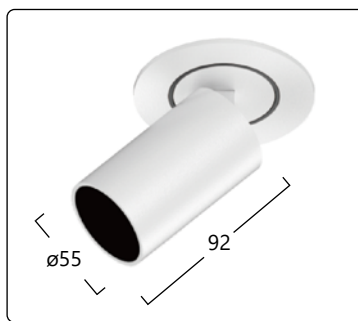
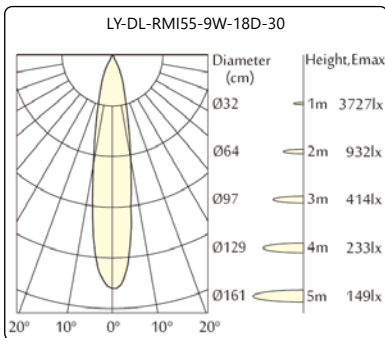
Product Code	LED Output (lm)	LED Power (W)	Efficiency (lm/W)	System Power (W)
LY-DL-RMI55-9W-①-②-③-④-⑤-⑥	1080	9	120	11

CUSTOMIZABLE SPECIFICATIONS

① Beam Angle	② Colour Temperature	③ Housing Colour	④ Reflector Colour	⑤ IP Rating	⑥ Dimming
18D 24D 36D	27 (2700K) 30 (3000K) 40 (4000K) 60 (6000K)	WH (White) BK (Black)	WH (White) BK (Black) GD (Gold)	IP20 IP54 IP65	ND (Non-Dim) DA (Dali) D0 (0-10V) PH (Phase)

(Example Code Format: LY-DL-RMI55-9W-24D-30-BK-GD-IP65-DA)

DIMENSIONS (MM) & LIGHT DISTRIBUTION



HOUSING COLOURS



REFLECTOR COLOURS



MINi

Retractable Spotlight Series

R MINI 70



PHASE	1-10V	DALI	Driver Included
CRI 80 90 90+	IP65 (Optional)	UGR <19	Operating Hours > 100,000
2-3step McAdam (optional)	OPERATION TEMP -20°C to 50°C!	5 Years warranty	RoHS
			CE

SPECIFICATIONS

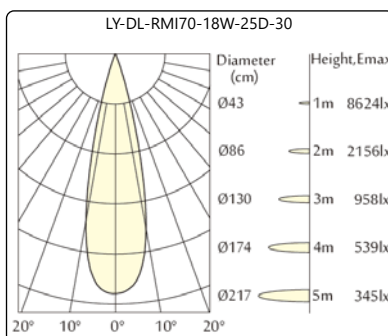
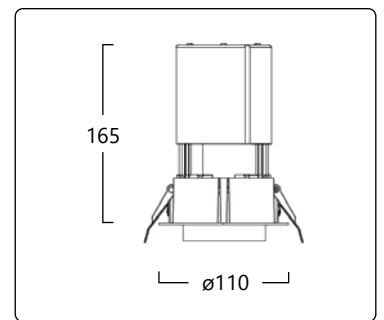
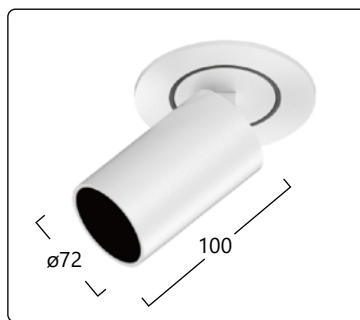
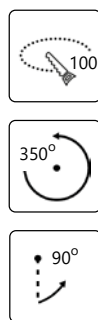
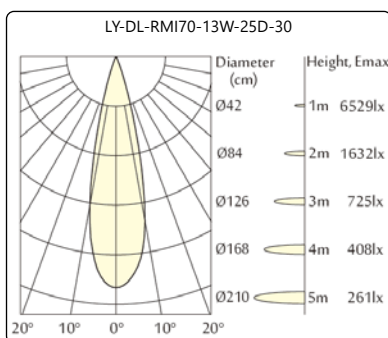
Product Code	LED Output (lm)	LED Power (W)	Efficiency (lm/W)	System Power (W)
LY-DL-RMI70-13W-①-②-③-④-⑤-⑥	1560	13	120	11
LY-DL-RMI70-18W-①-②-③-④-⑤-⑥	2160	18	120	21

CUSTOMIZABLE SPECIFICATIONS

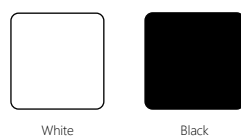
① Beam Angle	② Colour Temperature	③ Housing Colour	④ Reflector Colour	⑤ IP Rating	⑥ Dimming
15D 25D 30D	27 (2700K) 30 (3000K) 40 (4000K) 60 (6000K)	WH (White) BK (Black)	WH (White) BK (Black) GD (Gold)	IP20 IP54 IP65	ND (Non-Dim) DA (Dali) D0 (0-10V) PH (Phase)

(Example Code Format: LY-DL-RMI70-13W-25D-30-BK-GD-IP65-DA)

DIMENSIONS (MM) & LIGHT DISTRIBUTION



HOUSING COLOURS



REFLECTOR COLOURS

