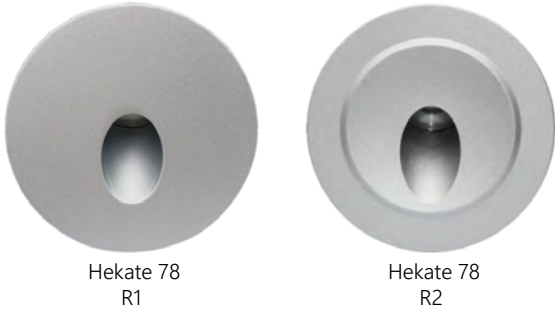


HEKATE

Recess Mounted Wall Light Series

Hekate 78

(Round)



IK05	DMX	PHASE	1-10V	DALI
IP65	2-3step McAdam <small>(optional)</small>	OPERATION TEMP -20°C to 50°C!	Operating Hours > 100,000	L70 > 50,000 Hours
CRI 80 90 90+	5 Years warranty			

SPECIFICATIONS

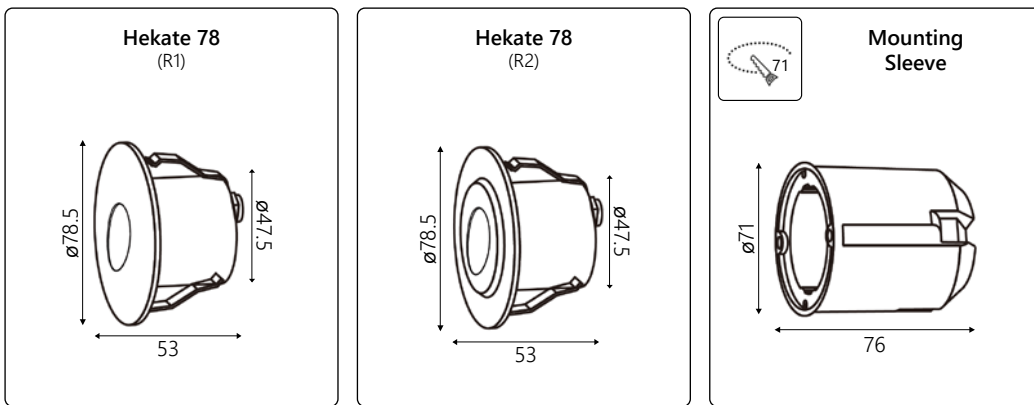
	Product Code	LED Output (lm)	LED Power	Efficiency (lm/W)	Beam Angle	IP Rating	IK Rating
Hekate 78 (R1)	LY-WL-HK78R1-1W-①-②-③-④	90	1W	90	60°	65	05
Hekate 78 (R2)	LY-WL-HK78R2-1W-①-②-③-④	90	1W	90	60°	65	05

CUSTOMIZABLE SPECIFICATIONS

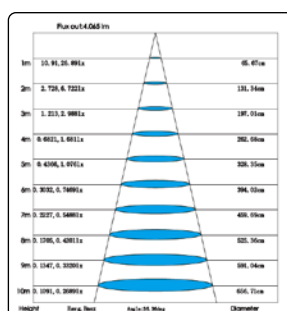
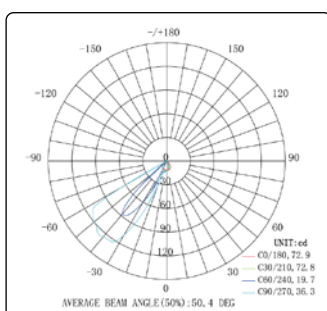
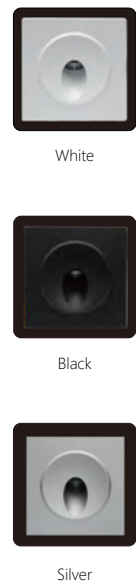
① Colour Temperature	② Input Voltage	③ Dimming	④ Colour Options
27 (2700K) 30 (3000K) 40 (4000K) 60 (6000K)	12V (12Vdc) 24V (24Vdc)	ND (Non-Dimming) DA (Dali) D0 (0-10V) PH (Phase) DMX (DMX 512)	WH (White) BK (Black) SI (Silver)

(Example Code Format: LY-WL-HK78R1-1W-27-12V-DA-WH)

DIMENSIONS (MM) & LIGHT DISTRIBUTION



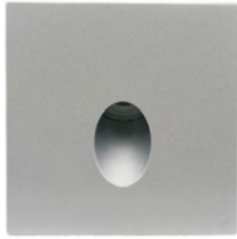
COLOUR OPTIONS



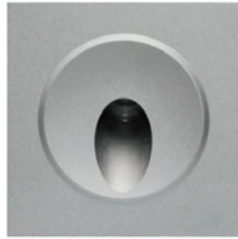
HEKATE

Recessed Mounted Wall Light Series

Hekate 78 (Square)



Hekate 78
S1



Hekate 78
S2

IK05	DMX	PHASE	1-10V	DALI
IP65	2-3step McAdam <small>(optional)</small>	OPERATION TEMP -20°C to 50°C!	Operating Hours > 100,000	L70 > 50,000 Hours
CRI 80 90 90+	5 Years warranty			

SPECIFICATIONS

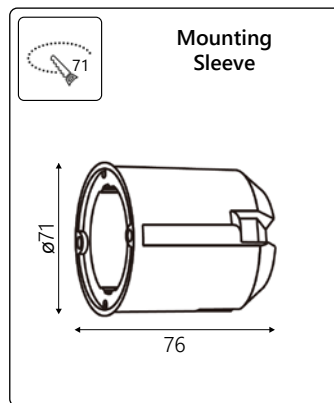
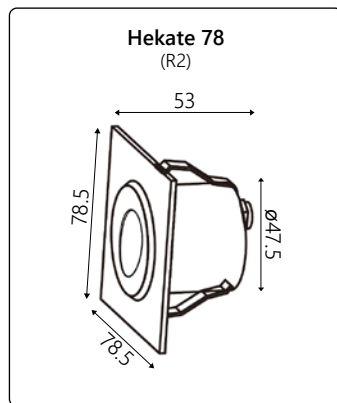
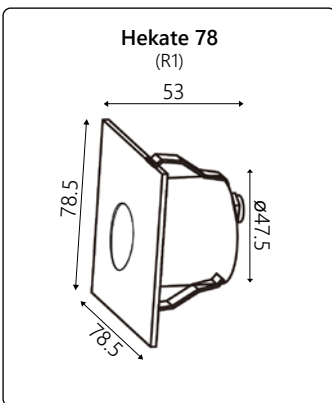
	Product Code	LED Output (lm)	LED Power	Efficiency (lm/W)	Beam Angle	IP Rating	IK Rating
Hekate 78 (S1)	LY-WL-HK78S1-1W-①-②-③-④	90	1W	90	60°	65	05
Hekate 78 (S2)	LY-WL-HK78S2-1W-①-②-③-④	90	1W	90	60°	65	05

CUSTOMIZABLE SPECIFICATIONS

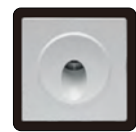
① Colour Temperature	② Input Voltage	③ Dimming	④ Colour Options
27 (2700K) 30 (3000K) 40 (4000K) 60 (6000K)	12V (12Vdc) 24V (24Vdc)	ND (Non-Dimming) DA (Dali) D0 (0-10V) PH (Phase) DMX (DMX 512)	WH (White) BK (Black) SI (Silver)

(Example Code Format: LY-WL-HK78S1-1W-27-12V-DA-WH)

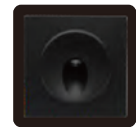
DIMENSIONS (MM) & LIGHT DISTRIBUTION



COLOUR OPTIONS



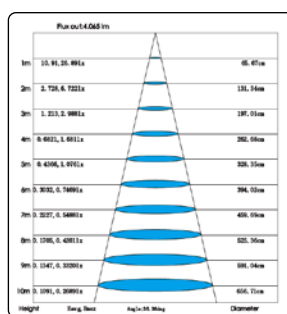
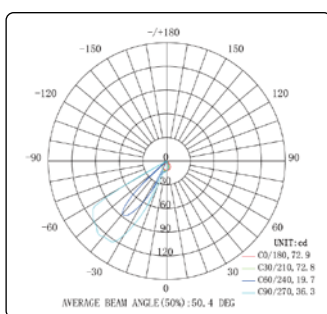
White



Black



Silver



HEKATE

Recess Mounted Wall Light Series

Hekate 171 & 106



Hekate 171



Hekate 106

IK03	DMX	PHASE	1-10V	DALI
IP65	2-3step McAdam <small>(optional)</small>	OPERATION TEMP -20°C to 50°C!	Operating Hours > 100,000	L70 > 50,000 Hours
CRI 80 90 90+	5 Years warranty			

SPECIFICATIONS

Hekate 171

Product Code	LED Output (lm)	LED Power	Efficiency (lm/W)	Beam Angle	IP Rating	IK Rating
LY-WL-HK171-1.5W-①-②-③	135	1.5W	90	120°	65	03
LY-WL-HK171-3W-①-②-③	270	3W	90	120°	65	03

Hekate 106

Product Code	LED Output (lm)	LED Power	Efficiency (lm/W)	Beam Angle	IP Rating	IK Rating
LY-WL-HK106-1.5W-①-②-③	135	1.5W	90	120°	65	03
LY-WL-HK106-3W-①-②-③	270	3W	90	120°	65	03

CUSTOMIZABLE SPECIFICATIONS

① Colour Temperature	② Input Voltage	③ Dimming
27 (2700K) 30 (3000K) 40 (4000K) 60 (6000K)	12V (12Vdc) 24V (24Vdc) 240V (240Vac)	ND (Non-Dimming) DA (Dali) D0 (0-10V) PH (Phase) DMX (DMX 512)

(Example Code Format: LY-WL-HK171-1.5W-27-12V-DA)

DIMENSIONS (MM)

<p>Hekate 171</p>	<p>Hekate 171 (Mounting Sleeve)</p>	<p>Hekate 106</p>	<p>Hekate 106 (Mounting Sleeve)</p>
--------------------------	--	--------------------------	--

HEKATE

Recessed Mounted Wall Light Series

Hekate 120 & 160



Hekate
120



Hekate
160

IK03	DMX	PHASE	1-10V	DALI
IP65	2-3step McAdam <small>(optional)</small>	OPERATION TEMP -20°C to 50°C!	Operating Hours > 100,000	L70 > 50,000 Hours
CRI 80 90 90+	5 Years warranty			

SPECIFICATIONS

Hekate 120	Product Code	LED Output (lm)	LED Power	Efficiency (lm/W)	Beam Angle	IP Rating	IK Rating
	LY-WL-HK120-1.5W-①-②-③	135	1.5W	90	120°	65	03
	LY-WL-HK120-3W-①-②-③	270	3W	90	120°	65	03

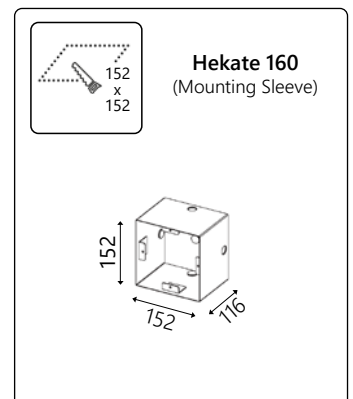
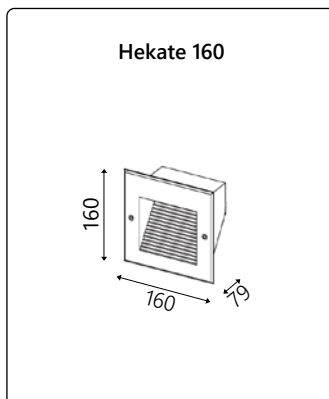
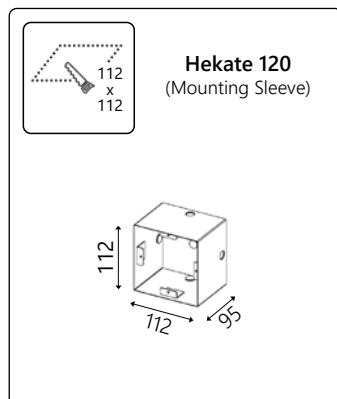
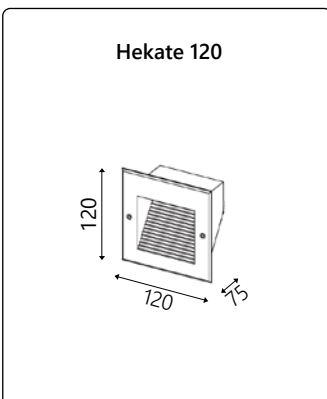
Hekate 160	Product Code	LED Output (lm)	LED Power	Efficiency (lm/W)	Beam Angle	IP Rating	IK Rating
	LY-WL-HK160-3W-①-②-③	270	1.5W	90	120°	65	03
	LY-WL-HK160-6W-①-②-③	540	3W	90	120°	65	03

CUSTOMIZABLE SPECIFICATIONS

① Colour Temperature	② Input Voltage	③ Dimming
27 (2700K) 30 (3000K) 40 (4000K) 60 (6000K)	12V (12Vdc) 24V (24Vdc) 240V (240Vac)	ND (Non-Dimming) DA (Dali) D0 (0-10V) PH (Phase) DMX (DMX 512)

(Example Code Format: LY-WL-HK120-3W-27-12V-DA)

DIMENSIONS (MM)



HEKATE

Recess Mounted Wall Light Series

Hekate 145 | 97 | 95



Hekate 145



Hekate 97



Hekate 95

IK09	DMX	PHASE	1-10V	DALI
IP65	2-3step McAdam <small>(optional)</small>	OPERATION TEMP -20°C to 50°C!	Operating Hours > 100,000	L70 > 50,000 Hours
CRI 80 90 90+	5 Years warranty			

SPECIFICATIONS

Hekate 145

Product Code	LED Output (lm)	LED Power	Efficiency (lm/W)	Beam Angle	IP Rating	IK Rating
LY-WL-HK145-1.5W-①-②-③	135	1.5W	90	120°	65	09
LY-WL-HK145-3W-①-②-③	270	3W	90	120°	65	09

Hekate 97

Product Code	LED Output (lm)	LED Power	Efficiency (lm/W)	Beam Angle	IP Rating	IK Rating
LY-WL-HK97-1.5W-①-②-③	135	1.5W	90	120°	65	09
LY-WL-HK97-3W-①-②-③	270	3W	90	120°	65	09

Hekate 95

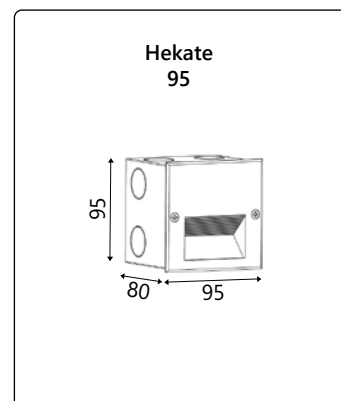
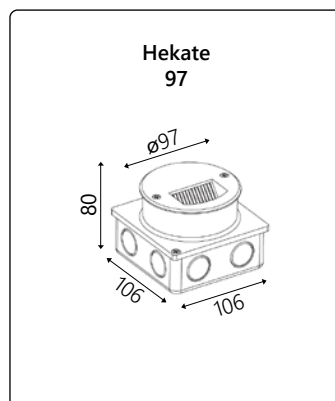
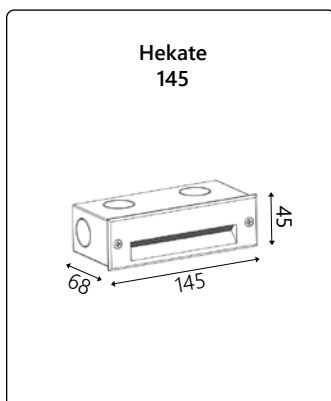
Product Code	LED Output (lm)	LED Power	Efficiency (lm/W)	Beam Angle	IP Rating	IK Rating
LY-WL-HK95-1.5W-①-②-③	135	1.5W	90	120°	65	09
LY-WL-HK95-3W-①-②-③	270	3W	90	120°	65	09

CUSTOMIZABLE SPECIFICATIONS

① Colour Temperature	② Input Voltage	③ Dimming
27 (2700K) 30 (3000K) 40 (4000K) 60 (6000K)	12V (12Vdc) 24V (24Vdc) 240V (240Vac)	ND (Non-Dimming) DA (Dali) D0 (0-10V) PH (Phase) DMX (DMX 512)

(Example Code Format: LY-WL-HK145-3W-27-12V-DA)

DIMENSIONS (MM)



HEKATE

Recessed Mounted Wall Light Series

Hekate 1063



IK09	DMX	PHASE	1-10V	DALI
IP65	2-3step McAdam <small>(optional)</small>	OPERATION TEMP -20°C to 50°C!	Operating Hours > 100,000	L70 > 50,000 Hours
CRI 80 90 90+	5 Years warranty	RoHS	CE	

SPECIFICATIONS

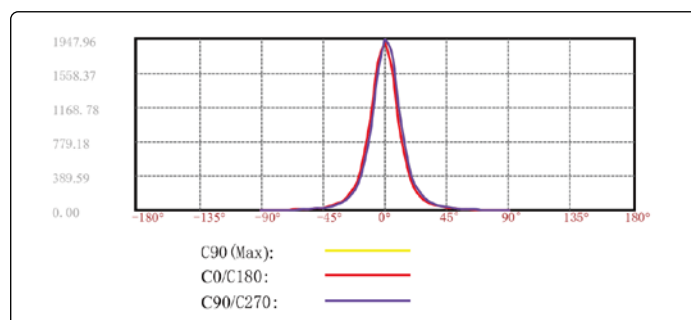
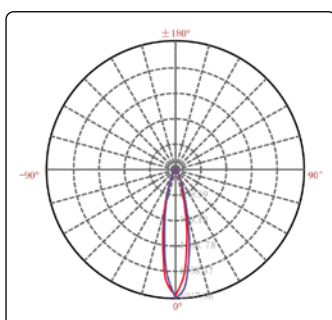
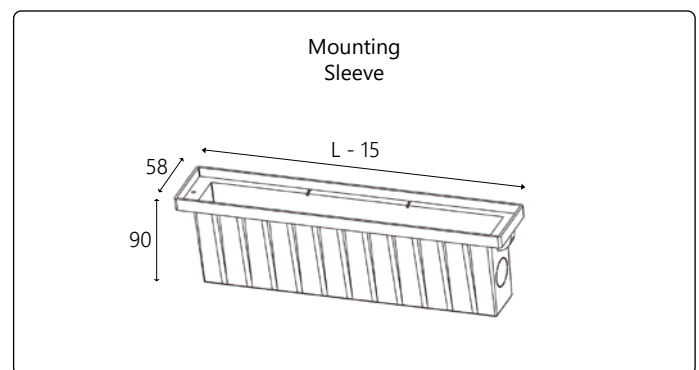
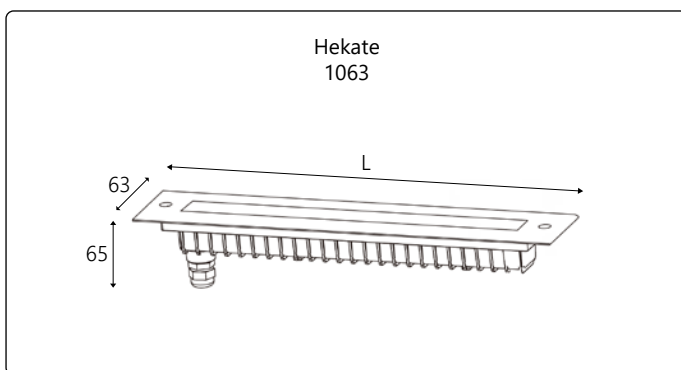
Product Code	LED Output (lm)	LED Power	Efficiency (lm/W)	IP Rating	IK Rating	Length (L) (mm)
LY-WL-HK1063-6W-①-②-③-④-⑤	540	3 x 2W (White) 3 x 3W (RGB) 3 x 3W (RGBW)	90	67	09	195
LY-WL-HK1063-12W-①-②-③-④-⑤	1080	6 x 2W (White) 6 x 3W (RGB) 6 x 3W (RGBW)	90	67	09	328

CUSTOMIZABLE SPECIFICATIONS

① Beam Angle	② Colour Temperature	③ Input Voltage	④ Dimming	⑤ Lens Accessory
25D 40D 60D	27 (2700K) 30 (3000K) 40 (4000K) 60 (6000K) RGB RGBW	12V (12Vdc) 24V (24Vdc) 240V (240Vac - White Only)	ND (Non-Dimming) DA (Dali) D0 (0-10V) PH (Phase) DMX (512 DMX)	NA (No Accessory) FR (Frosted Diffuser)

(Example Code Format: LY-WL-HK1063-6W-25D-27-12V-DA)

DIMENSIONS (MM) & LIGHT DISTRIBUTION



LENS ACCESSORY



Frosted Diffuser