

AURIGA

Downlight
Series



Anti-Glare



Diffused



High-Powered

AURIGA

R-Series (Anti-Glare) Downlight

Auriga A4R



PHASE	1-10V	DALI	Driver Included
CRI 80 90 90+	IP65 (Optional)	UGR <19	Operating Hours > 100,000
2-3step McAdam (optional)	OPERATION TEMP -20°C to 50°C!	5 Years warranty	L70 > 50,000 Hours
		RoHS	CE

SPECIFICATIONS

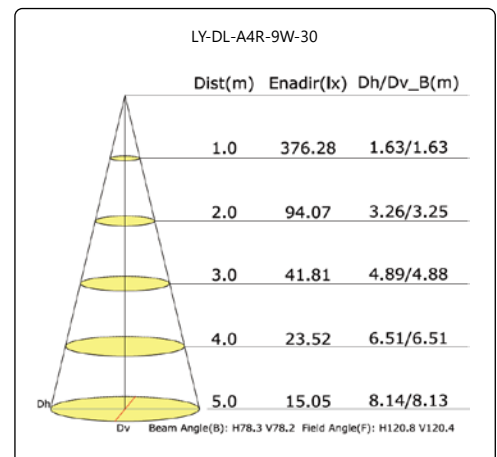
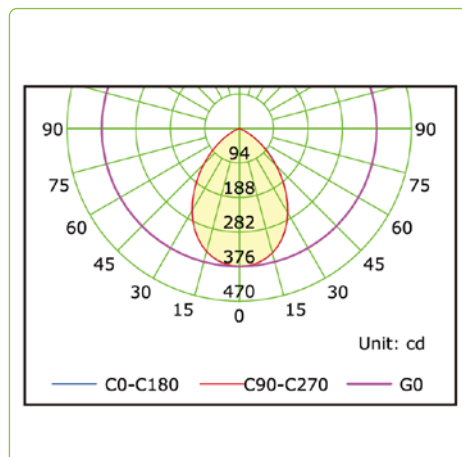
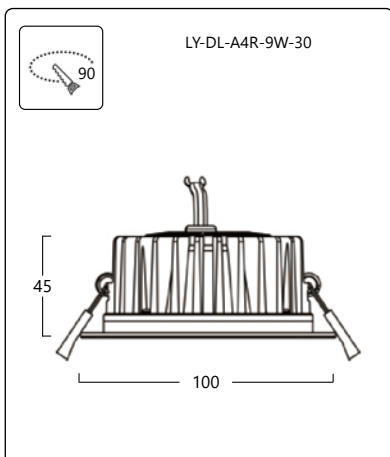
Product Code	LED Output (lm)	LED Power (W)	Efficiency (lm/W)	System Power (W)	Beam Angle
LY-DL-A4R-9W-①-②-③	990	9	110	10	60°

CUSTOMIZABLE SPECIFICATIONS

① Colour Temperature	② IP Rating	③ Dimming
27 (2700K) 30 (3000K) 40 (4000K) 60 (6000K)	IP20 IP54 IP65	ND (Non-Dimming) DA (Dali) D0 (0-10V) PH (Phase)

(Example Code Format: LY-DL-A4R-9W-40-IP20-DA)

DIMENSIONS (MM) & LIGHT DISTRIBUTION



AURIGA

R-Series (Anti-Glare) Downlight

Auriga A5R



PHASE	1-10V	DALI	Driver Included	
CRI 80 90 90+	IP65 (Optional)	UGR <19	Operating Hours > 100,000	L70 > 50,000 Hours
2-3step McAdam (optional)	OPERATION TEMP -20°C to 50°C!	5 Years warranty	RoHS	CE

SPECIFICATIONS

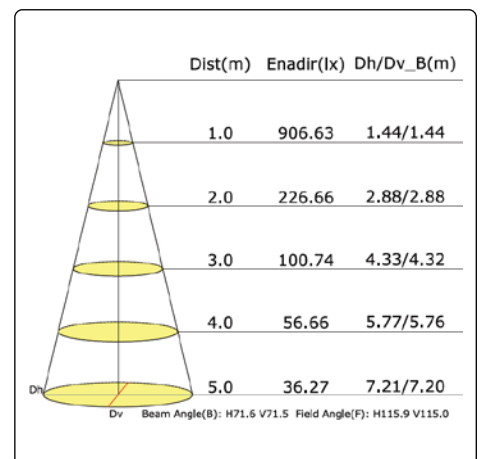
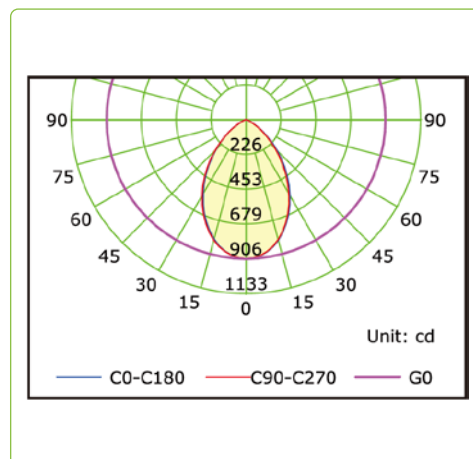
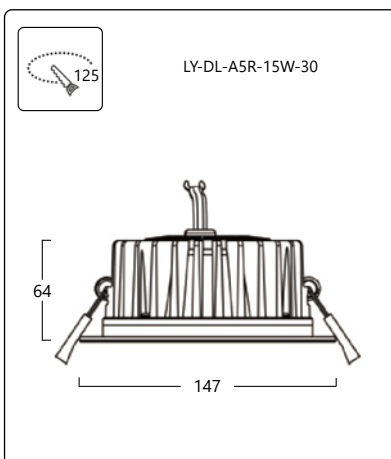
Product Code	LED Output (lm)	LED Power (W)	Efficiency (lm/W)	System Power (W)	Beam Angle
LY-DL-A5R-9W-①-②-③	990	9	110	10	60°
LY-DL-A5R-15W-①-②-③	1650	15	110	17	60°

CUSTOMIZABLE SPECIFICATIONS

① Colour Temperature	② IP Rating	③ Dimming
27 (2700K) 30 (3000K) 40 (4000K) 60 (6000K)	IP20 IP54 IP65	ND (Non-Dimming) DA (Dali) D0 (0-10V) PH (Phase)

(Example Code Format: LY-DL-A5R-9W-40-IP20-DA)

DIMENSIONS (MM) & LIGHT DISTRIBUTION



AURIGA

R-Series (Anti-Glare) Downlight

Auriga A6R



PHASE	1-10V	DALI	Driver Included	
CRI 80 90 90+	IP65 (Optional)	UGR <19	Operating Hours > 100,000	L70 > 50,000 Hours
2-3step McAdam (optional)	OPERATION TEMP -20°C to 50°C!	5 Years warranty	RoHS	CE

SPECIFICATIONS

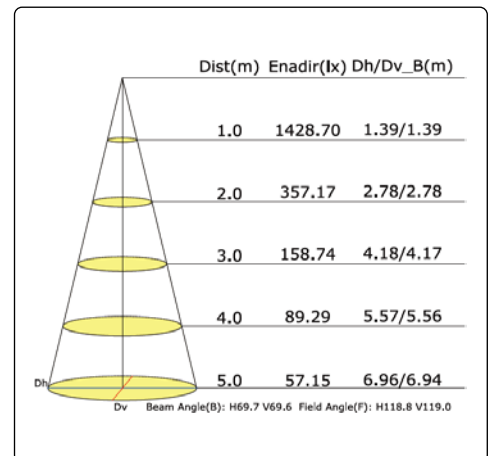
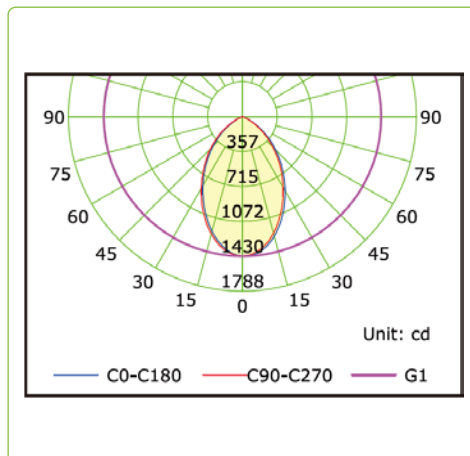
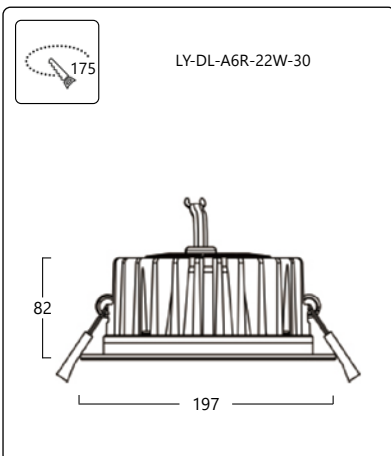
Product Code	LED Output (lm)	LED Power (W)	Efficiency (lm/W)	System Power (W)	Beam Angle
LY-DL-A6R-15W-①-②-③	1650	15	110	17	60°
LY-DL-A6R-22W-①-②-③	2420	22	110	26	60°
LY-DL-A6R-33W-①-②-③	3630	33	110	36	60°

CUSTOMIZABLE SPECIFICATIONS

① Colour Temperature	② IP Rating	③ Dimming
27 (2700K) 30 (3000K) 40 (4000K) 60 (6000K)	IP20 IP54 IP65	ND (Non-Dimming) DA (Dali) D0 (0-10V) PH (Phase)

(Example Code Format: LY-DL-A6R-22W-40-IP20-DA)

DIMENSIONS (MM) & LIGHT DISTRIBUTION



AURIGA

R-Series (Anti-Glare) Downlight

Auriga A8R



PHASE	1-10V	DALI	Driver Included	
CRI 80 90 90+	IP65 (Optional)	UGR <19	Operating Hours > 100,000	L70 > 50,000 Hours
2-3step McAdam (optional)	OPERATION TEMP -20°C to 50°C!	5 Years warranty	RoHS	CE

SPECIFICATIONS

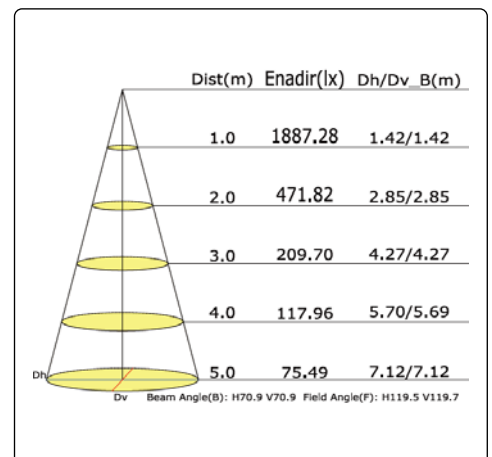
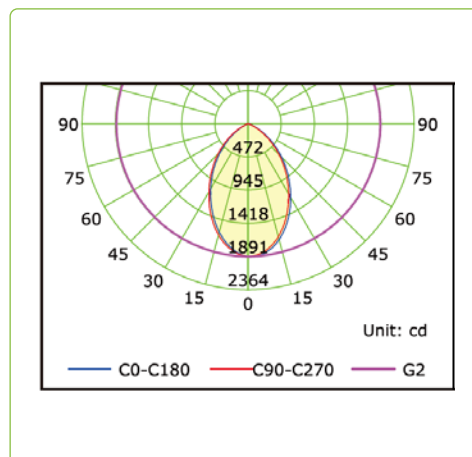
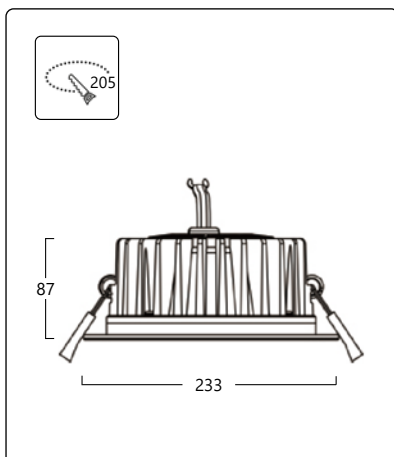
Product Code	LED Output (lm)	LED Power (W)	Efficiency (lm/W)	System Power (W)	Beam Angle
LY-DL-A8R-15W-①-②-③	1650	15	110	17	60°
LY-DL-A8R-22W-①-②-③	2420	22	110	26	60°
LY-DL-A8R-33W-①-②-③	3630	33	110	36	60°
LY-DL-A8R-48W-①-②-③	5280	48	110	52	60°

CUSTOMIZABLE SPECIFICATIONS

① Colour Temperature	② IP Rating	③ Dimming
27 (2700K) 30 (3000K) 40 (4000K) 60 (6000K)	IP20 IP54 IP65	ND (Non-Dimming) DA (Dali) D0 (0-10V) PH (Phase)

(Example Code Format: LY-DL-A8R-22W-40-IP20-DA)

DIMENSIONS (MM) & LIGHT DISTRIBUTION



AURIGA

D-Series (Diffused) Downlight

Auriga A4D



PHASE	1-10V	DALI	Driver Included	
CRI 80 90 90+	IP65 (Optional)	UGR <19	Operating Hours > 100,000	L70 > 50,000 Hours
2-3step McAdam (optional)	OPERATION TEMP -20°C to 50°C!	5 Years warranty	RoHS	CE

SPECIFICATIONS

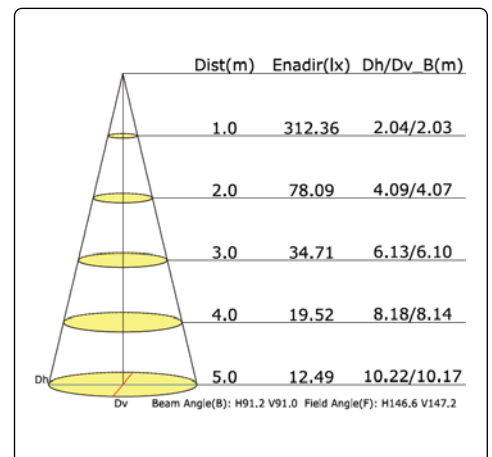
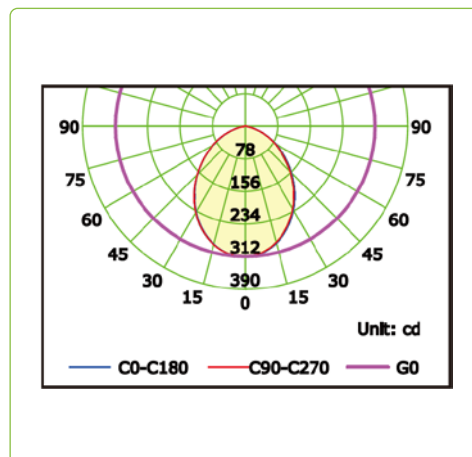
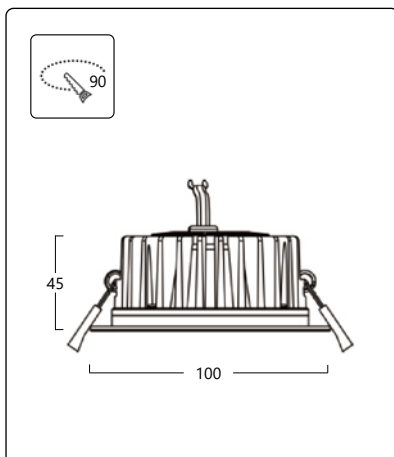
Product Code	LED Output (lm)	LED Power (W)	Efficiency (lm/W)	System Power (W)
LY-DL-A4D-8.5W-①-②-③-④	1020	8.5	120	10

CUSTOMIZABLE SPECIFICATIONS

① Beam Angle	② Colour Temperature	③ IP Rating	④ Dimming
40D 60D	27 (2700K) 30 (3000K) 40 (4000K) 60 (6000K)	IP20 IP54 IP65	ND (Non-Dimming) DA (Dali) D0 (0-10V) PH (Phase)

(Example Code Format: LY-DL-A4D-8.5W-40D-30-IP20-DA)

DIMENSIONS (MM) & LIGHT DISTRIBUTION



AURIGA

D-Series (Diffused) Downlight

Auriga A5D



PHASE	1-10V	DALI	Driver Included	
CRI 80 90 90+	IP65 (Optional)	UGR <19	Operating Hours > 100,000	L70 > 50,000 Hours
2-3step McAdam <small>(optional)</small>	OPERATION TEMP -20°C to 50°C!	5 Years warranty		

SPECIFICATIONS

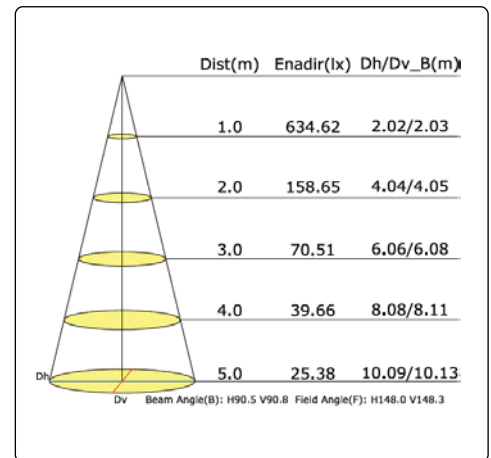
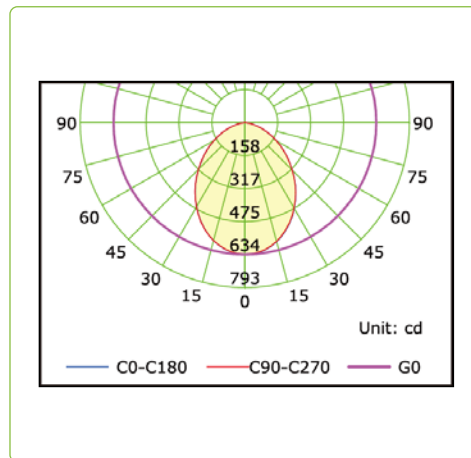
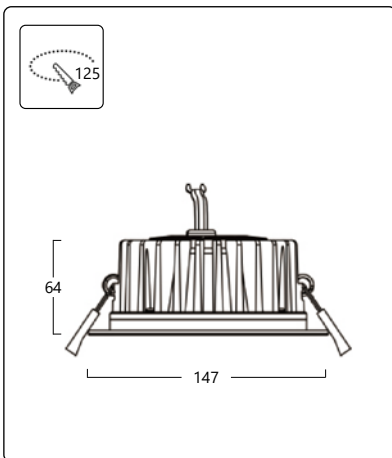
Product Code	LED Output (lm)	LED Power (W)	Efficiency (lm/W)	System Power (W)
LY-DL-A5D-8.5W-①-②-③-④	1020	8.5	120	10
LY-DL-A5D-15W-①-②-③-④	1800	15	120	18

CUSTOMIZABLE SPECIFICATIONS

① Beam Angle	② Colour Temperature	③ IP Rating	④ Dimming
40D 60D	27 (2700K) 30 (3000K) 40 (4000K) 60 (6000K)	IP20 IP54 IP65	ND (Non-Dimming) DA (Dali) D0 (0-10V) PH (Phase)

(Example Code Format: LY-DL-A5D-15W-40D-30-IP20-DA)

DIMENSIONS (MM) & LIGHT DISTRIBUTION



AURIGA

D-Series (Diffused) Downlight

Auriga A6D



PHASE	1-10V	DALI	Driver Included
CRI 80 90 90+	IP65 (Optional)	UGR <19	Operating Hours > 100,000
2-3step McAdam (optional)	OPERATION TEMP -20°C to 50°C!	5 Years warranty	L70 > 50,000 Hours
		RoHS	CE

SPECIFICATIONS

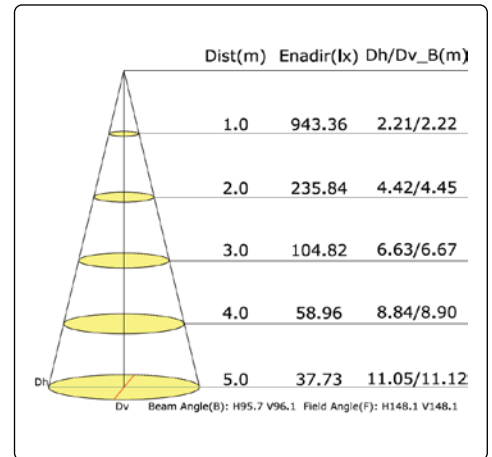
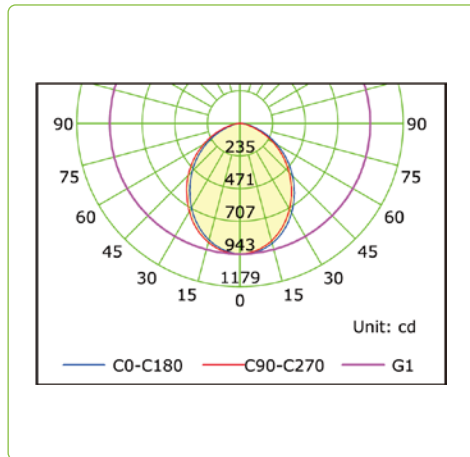
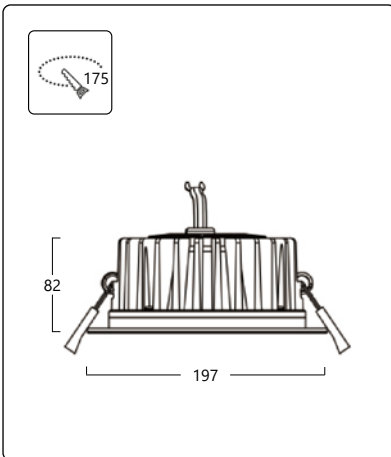
Product Code	LED Output (lm)	LED Power (W)	Efficiency (lm/W)	System Power (W)
LY-DL-A6D-15W-①-②-③-④	1800	15	120	17
LY-DL-A6D-22W-①-②-③-④	2640	22	120	26
LY-DL-A6D-33W-①-②-③-④	3960	33	120	36

CUSTOMIZABLE SPECIFICATIONS

① Beam Angle	② Colour Temperature	③ IP Rating	④ Dimming
40D 60D	27 (2700K) 30 (3000K) 40 (4000K) 60 (6000K)	IP20 IP54 IP65	ND (Non-Dimming) DA (Dali) D0 (0-10V) PH (Phase)

(Example Code Format: LY-DL-A6D-22W-40D-30-IP20-DA)

DIMENSIONS (MM) & LIGHT DISTRIBUTION



AURIGA

D-Series (Diffused) Downlight

Auriga A8D



PHASE	1-10V	DALI	Driver Included	
CRI 80 90 90+	IP65 (Optional)	UGR <19	Operating Hours > 100,000	L70 > 50,000 Hours
2-3step McAdam <small>(optional)</small>	OPERATION TEMP -20°C to 50°C!	5 Years warranty	RoHS	CE

SPECIFICATIONS

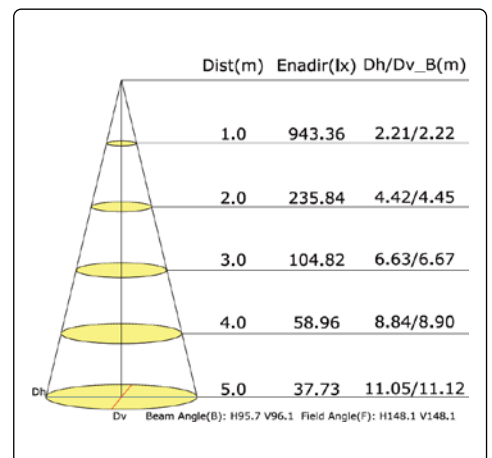
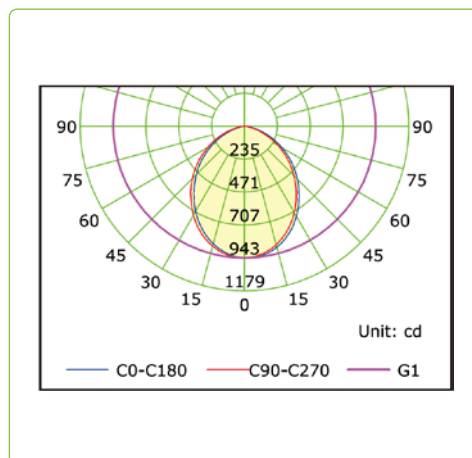
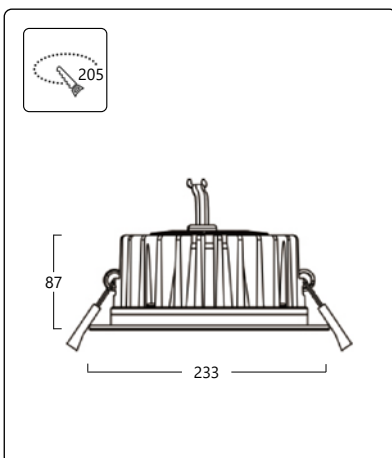
Product Code	LED Output (lm)	LED Power (W)	Efficiency (lm/W)	System Power (W)
LY-DL-A8D-15W-①-②-③-④	1800	15	120	17
LY-DL-A8D-22W-①-②-③-④	2640	22	120	26
LY-DL-A8D-33W-①-②-③-④	3960	33	120	36
LY-DL-A8D-48W-①-②-③-④	5760	48	120	52

CUSTOMIZABLE SPECIFICATIONS

① Beam Angle	② Colour Temperature	③ IP Rating	④ Dimming
40D 60D	27 (2700K) 30 (3000K) 40 (4000K) 60 (6000K)	IP20 IP54 IP65	ND (Non-Dimming) DA (Dali) D0 (0-10V) PH (Phase)

(Example Code Format: LY-A8D-33W-40D-30-IP20-DA)

DIMENSIONS (MM) & LIGHT DISTRIBUTION



AURIGA

H-Series (High Powered) Downlight

Auriga A4H



PHASE	1-10V	DALI	Driver Included	
CRI 80 90 90+	IP65 (Optional)	UGR <19	Operating Hours > 100,000	L70 > 50,000 Hours
2-3step McAdam <small>(optional)</small>	OPERATION TEMP -20°C to 50°C!	5 Years warranty	RoHS	CE

SPECIFICATIONS

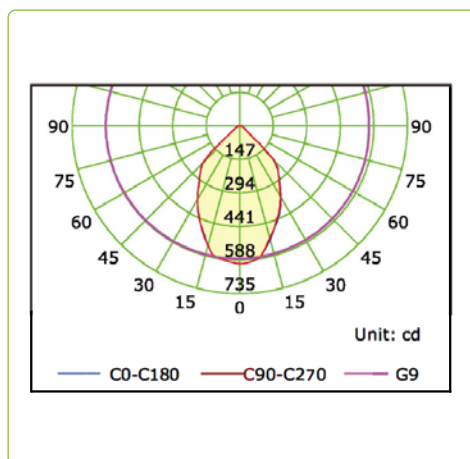
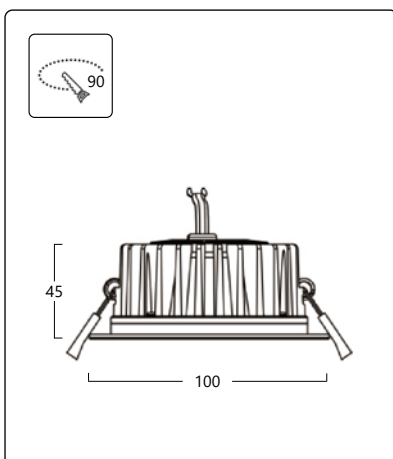
Product Code	LED Output (lm)	LED Power (W)	Efficiency (lm/W)	System Power (W)
LY-DL-A4H-9W-①-②-③-④-⑤	1080	9	120	10.6

CUSTOMIZABLE SPECIFICATIONS

① Beam Angle	② Colour Temperature	③ IP Rating	④ Dimming	⑤ Lens Accessory
40D 60D	27 (2700K) 30 (3000K) 40 (4000K) 60 (6000K)	IP20 IP54 IP65	ND (Non-Dimming) DA (Dali) D0 (0-10V) PH (Phase)	NA (No Accessory) HC (Honeycomb)

(Example Code Format: LY-DL-A4H-9W-40D-30-IP20-DA-HC)

DIMENSIONS (MM) & LIGHT DISTRIBUTION



Dist(m)	Enadir(lx)	Dh/Dv_B(m)
1.0	479.57	1.51/1.51
2.0	119.89	3.03/3.03
3.0	53.29	4.54 4.54
4.0	29.97	6.05/6.05
5.0	19.18	7.57 7.57

Dv Beam Angle(B): H74.2 V74.2 Field Angle(F): H103.2 V103.2

LENS ACCESSORY



Honeycomb

Product Code

LY-DL-A4H-HC

AURIGA

H-Series (High Powered) Downlight

Auriga A5H



PHASE	1-10V	DALI	Driver Included
CRI 80 90 90+	IP65 (Optional)	UGR < 19	Operating Hours > 100,000
2-3step McAdam (optional)	OPERATION TEMP -20°C to 50°C!	5 Years warranty	
L70 > 50,000 Hours			

SPECIFICATIONS

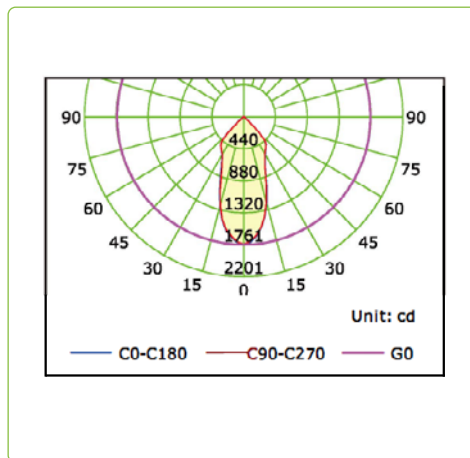
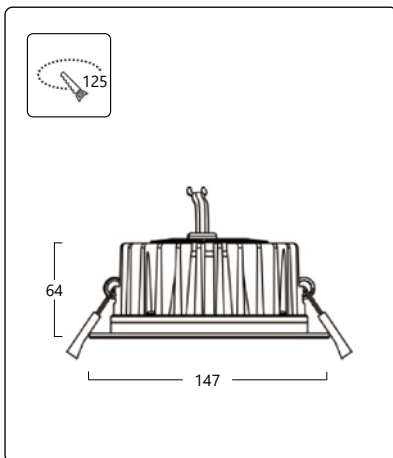
Product Code	LED Output (lm)	LED Power (W)	Efficiency (lm/W)	System Power (W)
LY-DL-A5H-9W-①-②-③-④-⑤	1080	9	120	10.6
LY-DL-A5H-12.6W-①-②-③-④-⑤	1512	12.6	120	15
LY-DL-A5H-18W-①-②-③-④-⑤	2160	18	120	21
LY-DL-A5H-25W-①-②-③-④-⑤	3000	25	120	27

CUSTOMIZABLE SPECIFICATIONS

① Beam Angle	② Colour Temperature	③ IP Rating	④ Dimming	⑤ Lens Accessory
40D 60D	27 (2700K) 30 (3000K) 40 (4000K) 60 (6000K)	IP20 IP54 IP65	ND (Non-Dimming) DA (Dali) D0 (0-10V) PH (Phase)	NA (No Accessory) HC (Honeycomb)

(Example Code Format: LY-DL-A5H-9W-40D-30-IP20-DA-HC)

DIMENSIONS (MM) & LIGHT DISTRIBUTION



Dist(m)	Enedir(lx)	Dh/Dv_B(m)
1.0	1761.18	0.77/0.76
2.0	440.30	1.54/1.51
3.0	195.69	2.31/2.27
4.0	110.07	3.08 3.03
5.0	7.45	3.85 3.79

Dv Beam Angle(B): H#2.1 V#1.5 Field Angle(F): H#4.0 V#3.8

LENS ACCESSORY



Honeycomb

Product Code

LY-DL-A5H-HC

AURIGA

H-Series (High Powered) Downlight

Auriga A6H



PHASE	1-10V	DALI	Driver Included
CRI 80 90 90+	IP65 (Optional)	UGR <19	Operating Hours > 100,000
2-3step McAdam (optional)	OPERATION TEMP -20°C to 50°C!	5 Years warranty	L70 > 50,000 Hours
		RoHS	CE

SPECIFICATIONS

Product Code	LED Output (lm)	LED Power (W)	Efficiency (lm/W)	System Power (W)
LY-DL-A6H-18W-①-②-③-④-⑤	2160	18	120	21
LY-DL-A6H-25W-①-②-③-④-⑤	3000	25	120	27
LY-DL-A6H-32W-①-②-③-④-⑤	3840	32	120	35

CUSTOMIZABLE SPECIFICATIONS

① Beam Angle	② Colour Temperature	③ IP Rating	④ Dimming	⑤ Lens Accessory
40D 60D	27 (2700K) 30 (3000K) 40 (4000K) 60 (6000K)	IP20 IP54 IP65	ND (Non-Dimming) DA (Dali) D0 (0-10V) PH (Phase)	NA (No Accessory) HC (Honeycomb)

(Example Code Format: LY-DL-A6H-25W-40D-30-IP20-DA-HC)

DIMENSIONS (MM) & LIGHT DISTRIBUTION

Unit: cd

— C0-C180 — C90-C270 — G3

Dist(m)	Enadir(lx)	Dh/Dv_B(m)
1.0	2296.05	0.74/0.74
2.0	574.01	1.48/1.49
3.0	255.12	2.22/2.23
4.0	143.50	2.96/2.98
5.0	91.84	3.70/3.72

Beam Angle(B): H40.6 V40.8 Field Angle(F): H103.7 V104.7

LENS ACCESSORY



Honeycomb

Product Code

LY-DL-A6H-HC

AURIGA

H-Series (High Powered) Downlight

Auriga A8H



PHASE	1-10V	DALI	Driver Included
CRI 80 90 90+	IP65 (Optional)	UGR <19	Operating Hours > 100,000
2-3step McAdam (optional)	OPERATION TEMP -20°C to 50°C!	5 Years warranty	RoHS
			CE

SPECIFICATIONS

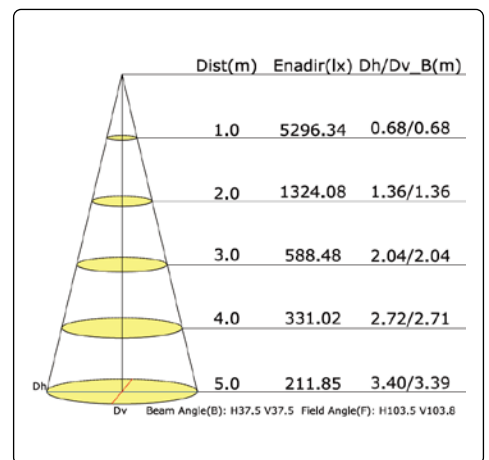
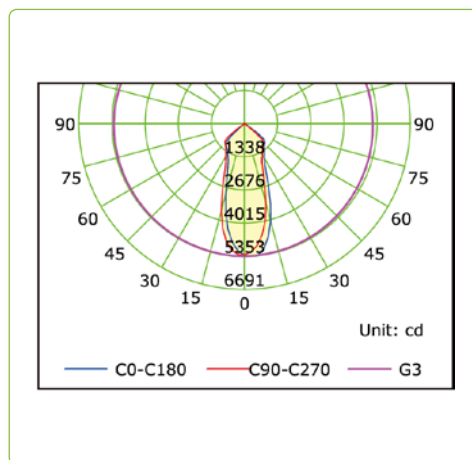
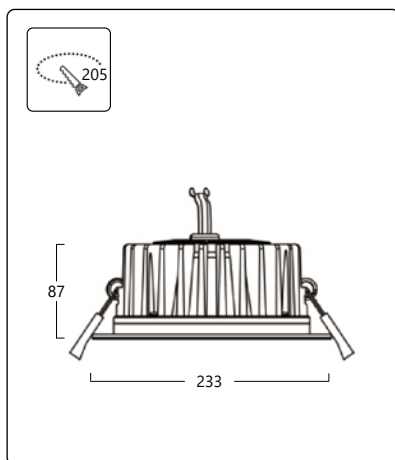
Product Code	LED Output (lm)	LED Power (W)	Efficiency (lm/W)	System Power (W)
LY-DL-A8H-18W-①-②-③-④-⑤	2160	18	120	21
LY-DL-A8H-25W-①-②-③-④-⑤	3000	25	120	27
LY-DL-A8H-32W-①-②-③-④-⑤	3840	32	120	35
LY-DL-A8H-50W-①-②-③-④-⑤	6000	50	120	55

CUSTOMIZABLE SPECIFICATIONS

① Beam Angle	② Colour Temperature	③ IP Rating	④ Dimming	⑤ Lens Accessory
40D 60D	27 (2700K) 30 (3000K) 40 (4000K) 60 (6000K)	IP20 IP54 IP65	ND (Non-Dimming) DA (Dali) D0 (0-10V) PH (Phase)	NA (No Accessory) HC (Honeycomb)

(Example Code Format: LY-DL-A8H-25W-40D-30-IP20-DA-HC)

DIMENSIONS (MM) & LIGHT DISTRIBUTION



LENS ACCESSORY



Honeycomb

Product Code
LY-DL-A8H-HC



AURIGA E

Economy
Downlight
Range



Anti-Glare



Diffused



High-Powered

AURIGA

R-Series (Anti-Glare) Economy Downlight

Auriga A5RE (Economy Range)



PHASE	1-10V	DALI	Driver Included
CRI 80 90 90+	IP65 (Optional)	UGR <19	Operating Hours > 100,000
L70 > 50,000 Hours	2-3step McAdam (optional)	OPERATION TEMP -20°C to 50°C!	5 Years warranty

SPECIFICATIONS

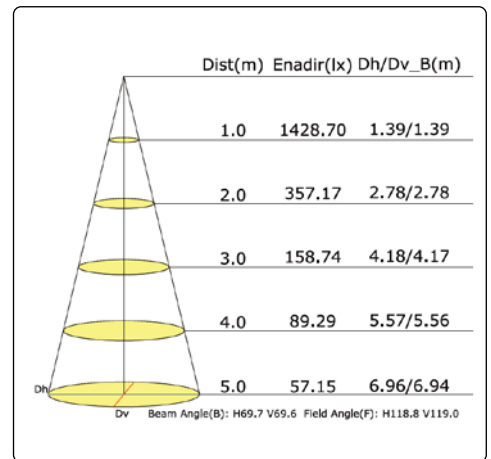
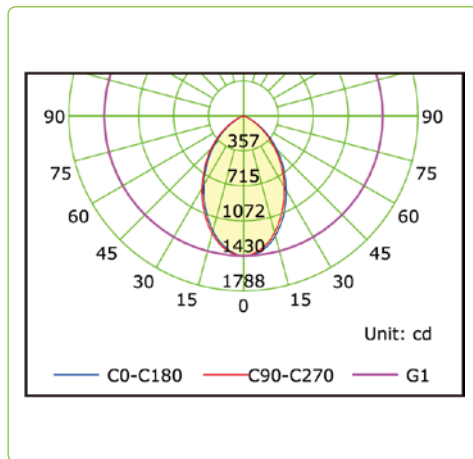
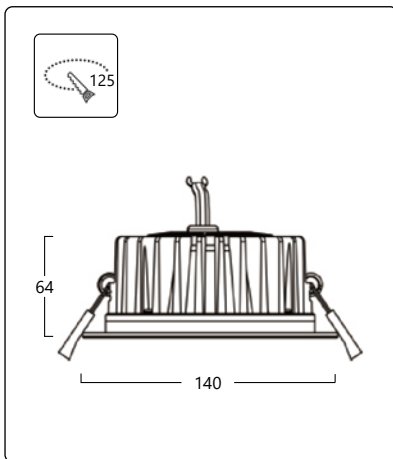
Product Code	LED Output (lm)	LED Power (W)	Efficiency (lm/W)	System Power (W)	Beam Angle
LY-DL-A5RE-15W-①-②-③	1500	15	100.0	17	60°

CUSTOMIZABLE SPECIFICATIONS

① Colour Temperature	② IP Rating	③ Dimming
27 (2700K) 30 (3000K) 40 (4000K) 60 (6000K)	IP20 IP54 IP65	ND (Non-Dimming) DA (Dali) D0 (0-10V) PH (Phase)

(Example Code Format: LY-DL-A5RE-15W-27-IP20-ND)

DIMENSIONS (MM) & LIGHT DISTRIBUTION



AURIGA

R-Series (Anti-Glare) Economy Downlight

Auriga A6RE

(Economy Range)



PHASE	1-10V	DALI	Driver Included
CRI 80 90 90+	IP65 (Optional)	UGR <19	Operating Hours > 100,000
2-3step McAdam (optional)	OPERATION TEMP -20°C to 50°C!	5 Years warranty	

SPECIFICATIONS

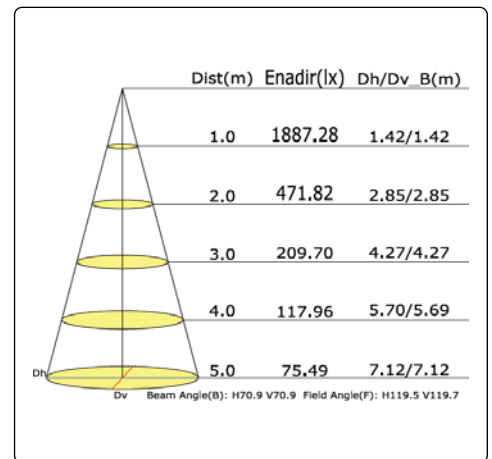
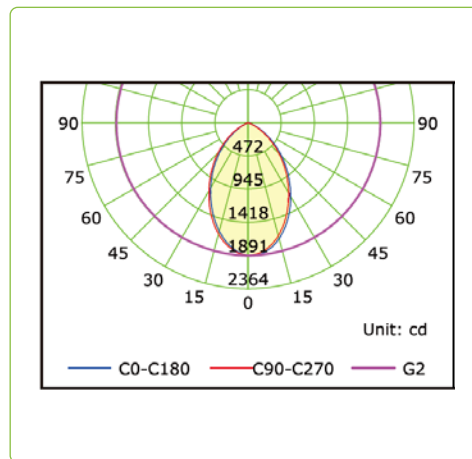
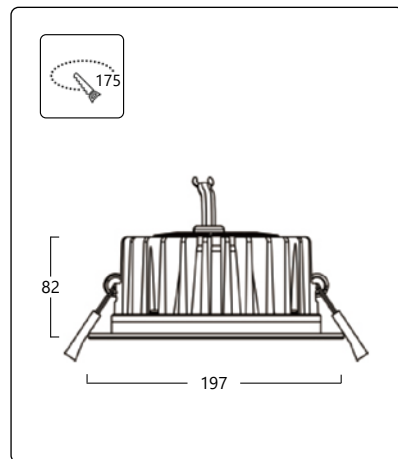
Product Code	LED Output (lm)	LED Power (W)	Efficiency (lm/W)	System Power (W)	Beam Angle
LY-DL-A6RE-15W-①-②-③	1500	15	100.0	17	60°
LY-DL-A6RE-22W-①-②-③	2450	22	111.4	26	60°

CUSTOMIZABLE SPECIFICATIONS

① Colour Temperature	② IP Rating	③ Dimming
27 (2700K) 30 (3000K) 40 (4000K) 60 (6000K)	IP20 IP54 IP65	ND (Non-Dimming) DA (Dali) D0 (0-10V) PH (Phase)

(Example Code Format: LY-DL-A6RE-15W-27-IP20-ND)

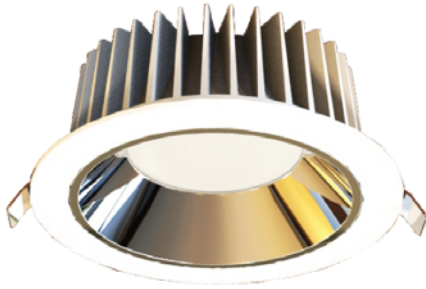
DIMENSIONS (MM) & LIGHT DISTRIBUTION



AURIGA

R-Series (Anti-Glare) Economy Downlight

Auriga A8RE (Economy Range)



PHASE	1-10V	DALI	Driver Included
CRI 80 90 90+	IP65 (Optional)	UGR <19	Operating Hours > 100,000
2-3step McAdam (optional)	OPERATION TEMP -20°C to 50°C!	5 Years warranty	

SPECIFICATIONS

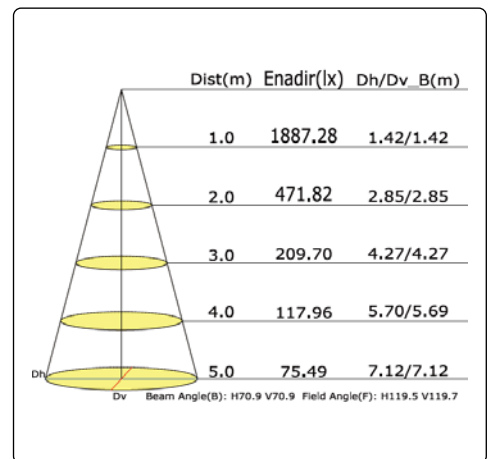
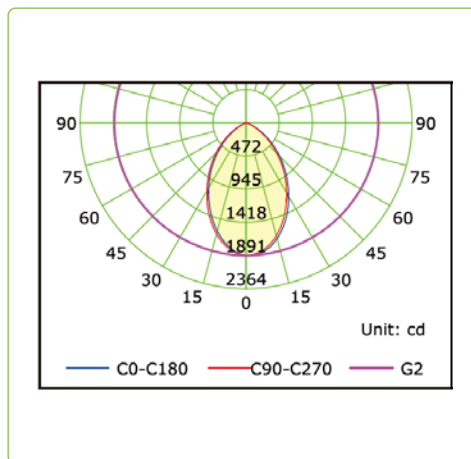
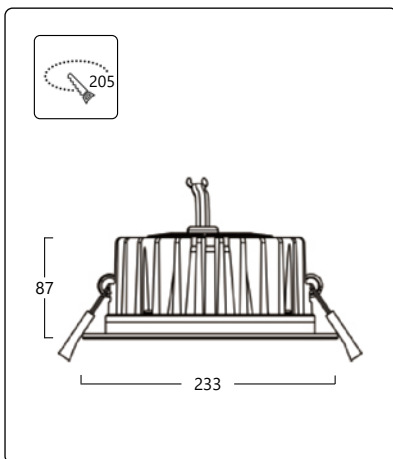
Product Code	LED Output (lm)	LED Power (W)	Efficiency (lm/W)	System Power (W)	Beam Angle
LY-DL-A8RE-18W-①-②-③	1750	18	97.2	21	60°
LY-DL-A8RE-25W-①-②-③	2500	25	100.0	27	60°
LY-DL-A8RE-32W-①-②-③	3100	32	96.8	35	60°

CUSTOMIZABLE SPECIFICATIONS

① Colour Temperature	② IP Rating	③ Dimming
27 (2700K) 30 (3000K) 40 (4000K) 60 (6000K)	IP20 IP54 IP65	ND (Non-Dimming) DA (Dali) D0 (0-10V) PH (Phase)

(Example Code Format: LY-DL-A8RE-15W-27-IP20-ND)

DIMENSIONS (MM) & LIGHT DISTRIBUTION



AURIGA

D-Series (Diffused) Economy Downlight

Auriga A5DE (Economy Range)



PHASE	1-10V	DALI	Driver Included
CRI 80 90 90+	IP65 (Optional)	UGR <19	Operating Hours > 100,000
L70 > 50,000 Hours	2-3step McAdam <small>(optional)</small>	OPERATION TEMP -20°C to 50°C!	5 Years warranty
		RoHS	CE

SPECIFICATIONS

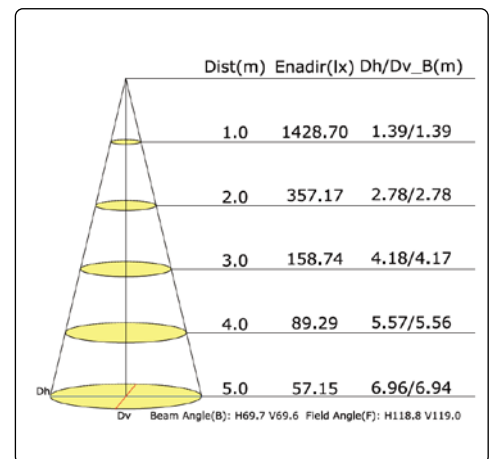
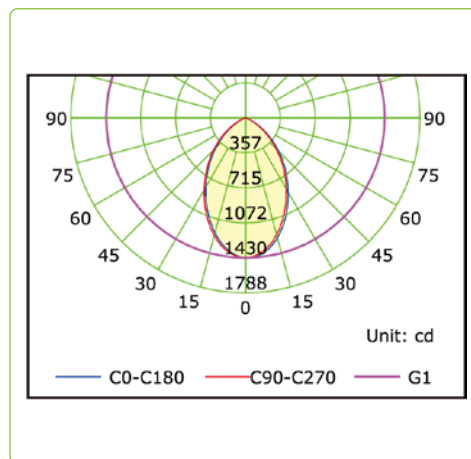
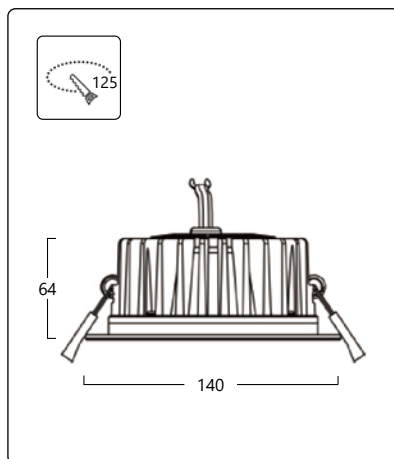
Product Code	LED Output (lm)	LED Power (W)	Efficiency (lm/W)	System Power (W)	Beam Angle
LY-DL-A5DE-15W-①-②-③	1600	15	106.7	18	60°

CUSTOMIZABLE SPECIFICATIONS

① Colour Temperature	② IP Rating	③ Dimming
27 (2700K) 30 (3000K) 40 (4000K) 60 (6000K)	IP20 IP54 IP65	ND (Non-Dimming) DA (Dali) D0 (0-10V) PH (Phase)

(Example Code Format: LY-DL-A5DE-15W-27-IP20-ND)

DIMENSIONS (MM) & LIGHT DISTRIBUTION



AURIGA

D-Series (Diffused) Economy Downlight

Auriga A6DE (Economy Range)



PHASE	1-10V	DALI	Driver Included
CRI 80 90 90+	IP65 (Optional)	UGR <19	Operating Hours > 100,000
2-3step McAdam (optional)	OPERATION TEMP -20°C to 50°C!	5 Years warranty	

SPECIFICATIONS

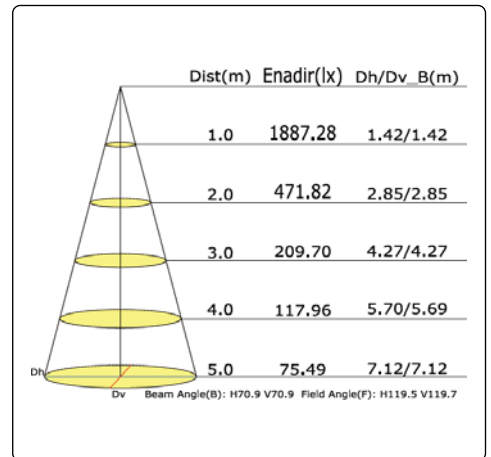
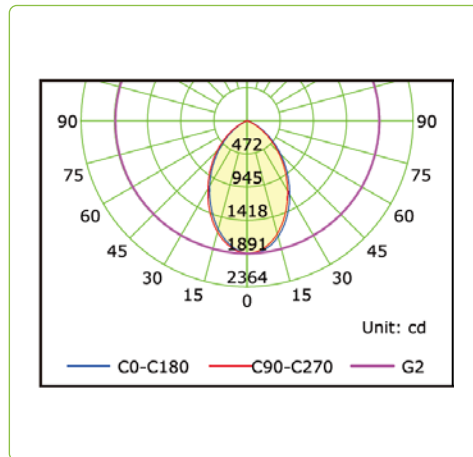
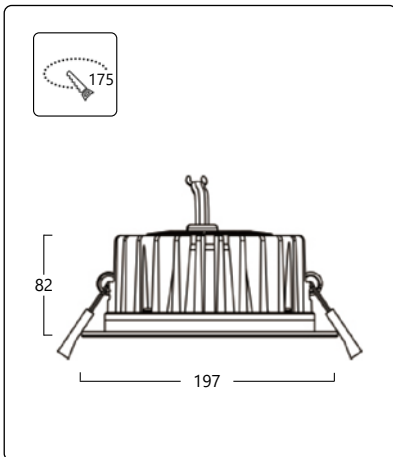
Product Code	LED Output (lm)	LED Power (W)	Efficiency (lm/W)	System Power (W)	Beam Angle
LY-DL-A6DE-15W-①-②-③	1720	15	114.7	17	60°
LY-DL-A6DE-22W-①-②-③	2600	22	118.2	26	60°

CUSTOMIZABLE SPECIFICATIONS

① Colour Temperature	② IP Rating	③ Dimming
27 (2700K) 30 (3000K) 40 (4000K) 60 (6000K)	IP20 IP54 IP65	ND (Non-Dimming) DA (Dali) D0 (0-10V) PH (Phase)

(Example Code Format: LY-DL-A6DE-15W-27-IP20-ND)

DIMENSIONS (MM) & LIGHT DISTRIBUTION



AURIGA

D-Series (Diffused) Economy Downlight

Auriga A8DE (Economy Range)



PHASE	1-10V	DALI	Driver Included
CRI 80 90 90+	IP65 (Optional)	UGR <19	Operating Hours > 100,000
2-3step McAdam (optional)	OPERATION TEMP -20°C to 50°C!	5 Years warranty	

SPECIFICATIONS

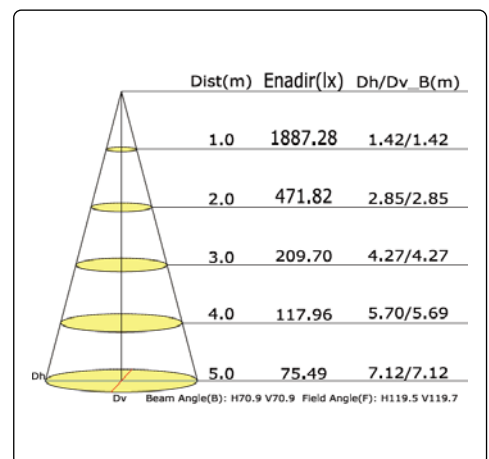
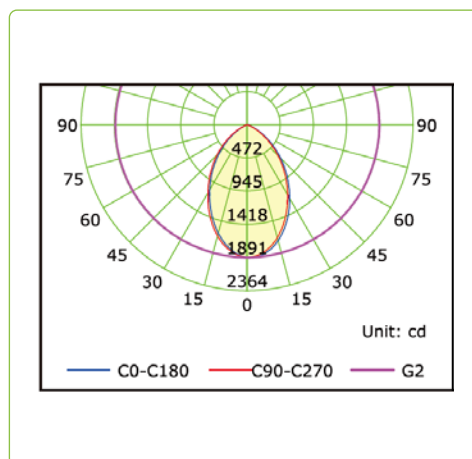
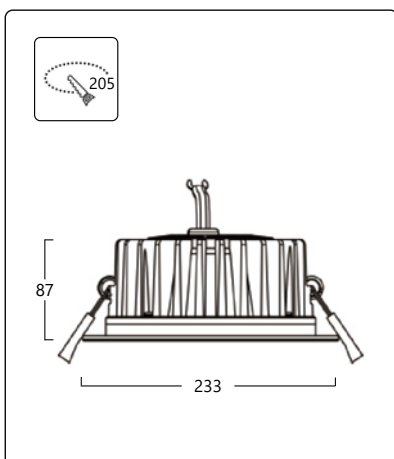
Product Code	LED Output (lm)	LED Power (W)	Efficiency (lm/W)	System Power (W)	Beam Angle
LY-DL-A8DE-15W-①-②-③	1550	15	103.3	17	60°
LY-DL-A8DE-22W-①-②-③	2600	22	118.2	26	60°
LY-DL-A8DE-33W-①-②-③	3400	33	103.0	38	60°

CUSTOMIZABLE SPECIFICATIONS

① Colour Temperature	② IP Rating	③ Dimming
27 (2700K) 30 (3000K) 40 (4000K) 60 (6000K)	IP20 IP54 IP65	ND (Non-Dimming) DA (Dali) D0 (0-10V) PH (Phase)

(Example Code Format: LY-DL-A8DE-15W-27-IP20-ND)

DIMENSIONS (MM) & LIGHT DISTRIBUTION



AURIGA

H-Series (High Powered) Economy Downlight

Auriga A5HE

(Economy Range)



PHASE	1-10V	DALI	Driver Included
CRI 80 90 90+	IP65 (Optional)	UGR <19	Operating Hours > 100,000
2-3step McAdam (optional)	OPERATION TEMP -20°C to 50°C!	5 Years warranty	

SPECIFICATIONS

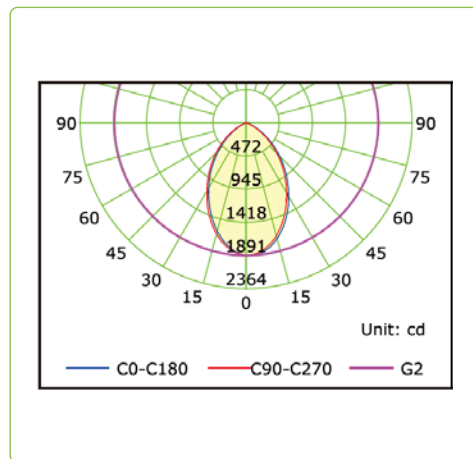
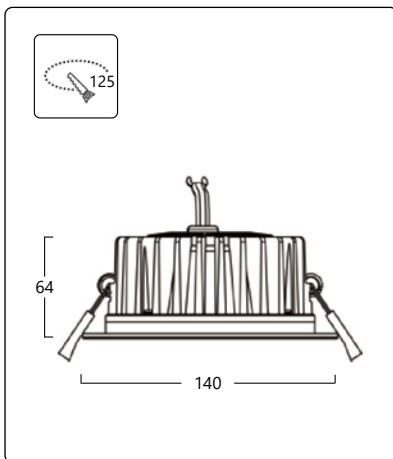
Product Code	LED Output (lm)	LED Power (W)	Efficiency (lm/W)	System Power (W)	Beam Angle
LY-DL-A5HE-15W-①-②-③	1500	15	100.0	17	60°

CUSTOMIZABLE SPECIFICATIONS

① Colour Temperature	② IP Rating	③ Dimming
27 (2700K) 30 (3000K) 40 (4000K) 60 (6000K)	IP20 IP54 IP65	ND (Non-Dimming) DA (Dali) D0 (0-10V) PH (Phase)

(Example Code Format: LY-DL-A5HE-15W-27-IP20-ND)

DIMENSIONS (MM) & LIGHT DISTRIBUTION



Dist(m)	Enadir(lx)	Dh/Dv, B(m)
1.0	1887.28	1.42/1.42
2.0	471.82	2.85/2.85
3.0	209.70	4.27/4.27
4.0	117.96	5.70/5.69
5.0	75.49	7.12/7.12

Dh Beam Angle(B): H70.9 V70.9 Field Angle(F): H119.5 V119.7

LENS ACCESSORY



Honeycomb

Product Code
LY-DL-A5HE-HC

AURIGA

H-Series (High Powered) Economy Downlight

Auriga A6HE (Economy Range)



PHASE	1-10V	DALI	Driver Included
CRI 80 90 90+	IP65 (Optional)	UGR <19	Operating Hours > 100,000
2-3step McAdam (optional)	OPERATION TEMP -20°C to 50°C!	5 Years warranty	

SPECIFICATIONS

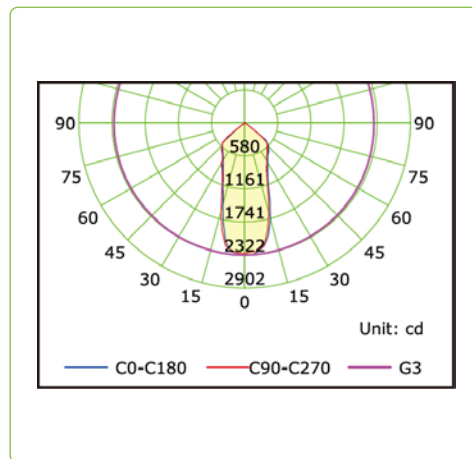
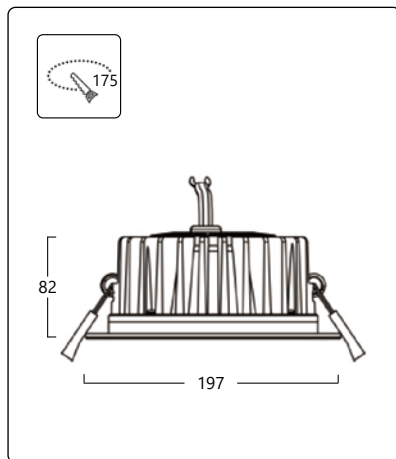
Product Code	LED Output (lm)	LED Power (W)	Efficiency (lm/W)	System Power (W)	Beam Angle
LY-DL-A6HE-18W-①-②-③	1750	18	97.2	21	60°
LY-DL-A6HE-25W-①-②-③	2500	25	100.0	27	60°

CUSTOMIZABLE SPECIFICATIONS

① Colour Temperature	② IP Rating	③ Dimming
27 (2700K) 30 (3000K) 40 (4000K) 60 (6000K)	IP20 IP54 IP65	ND (Non-Dimming) DA (Dali) D0 (0-10V) PH (Phase)

(Example Code Format: LY-DL-A6HE-18W-27-IP20-ND)

DIMENSIONS (MM) & LIGHT DISTRIBUTION



Dist(m)	Enadir(lx)	Dh/Dv_B(m)
1.0	2296.05	0.74/0.74
2.0	574.01	1.48/1.49
3.0	255.12	2.22/2.23
4.0	143.50	2.96/2.98
5.0	91.84	3.70/3.72

Dv Beam Angle(B): H40.6 V40.8 Field Angle(F): H103.7 V104.7

LENS ACCESSORY



Honeycomb

Product Code
LY-DL-A6HE-HC

AURIGA

H-Series (High Powered) Economy Downlight

Auriga A8HE (Economy Range)



PHASE	1-10V	DALI	Driver Included
CRI 80 90 90+	IP65 (Optional)	UGR <19	Operating Hours > 100,000
2-3step McAdam (optional)	OPERATION TEMP -20°C to 50°C!	5 Years warranty	
L70 > 50,000 Hours			

SPECIFICATIONS

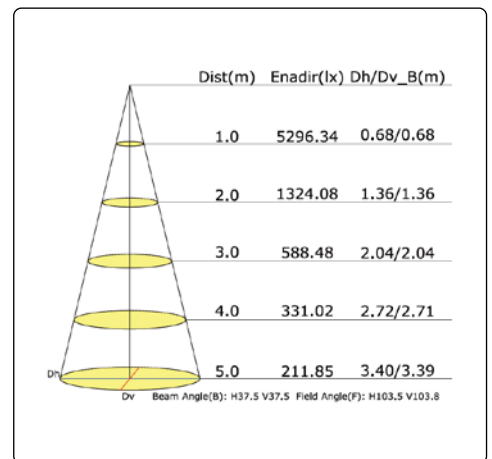
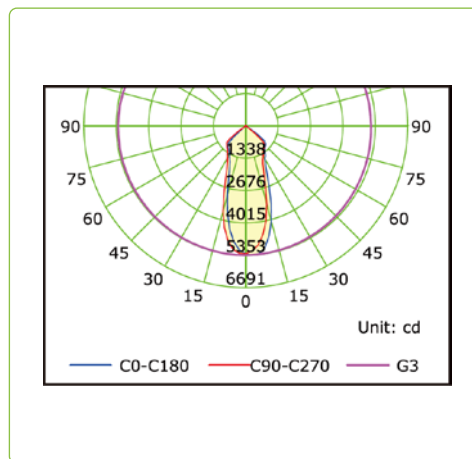
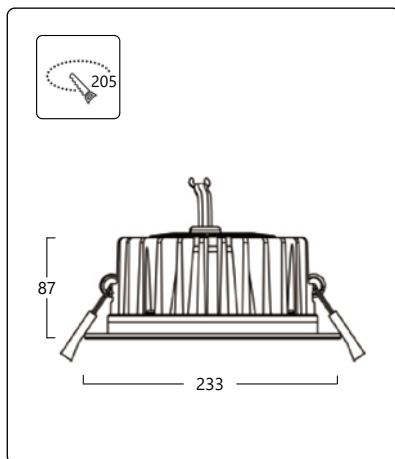
Product Code	LED Output (lm)	LED Power (W)	Efficiency (lm/W)	System Power (W)	Beam Angle
LY-DL-A8HE-18W-①-②-③	1750	18	97.2	21	60°
LY-DL-A8HE-25W-①-②-③	2500	25	100.0	27	60°
LY-DL-A8HE-32W-①-②-③	3100	32	96.8	35	60°

CUSTOMIZABLE SPECIFICATIONS

① Colour Temperature	② IP Rating	③ Dimming
27 (2700K) 30 (3000K) 40 (4000K) 60 (6000K)	IP20 IP54 IP65	ND (Non-Dimming) DA (Dali) D0 (0-10V) PH (Phase)

(Example Code Format: LY-DL-A8HE-15W-27-IP20-ND)

DIMENSIONS (MM) & LIGHT DISTRIBUTION



LENS ACCESSORY



Honeycomb

Product Code
LY-DL-A8HE-HC