

ANDROMEDA

High-Bay Lighting Series

Andromeda 3030 Alpha



| | | | |
|------------------|---------------------|--|--|
| CRI 80 90 90+ | IP65 | 2-3step McAdam <small>(optional)</small> | OPERATION TEMP -20°C to 50°C! |
| 1-10V | Driver Included | Operating Hours > 100,000 | L70 > 50,000 Hours |
| IK08 | 5 Years warranty | | |

SPECIFICATIONS

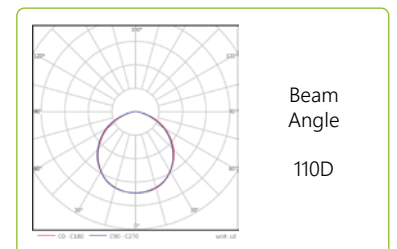
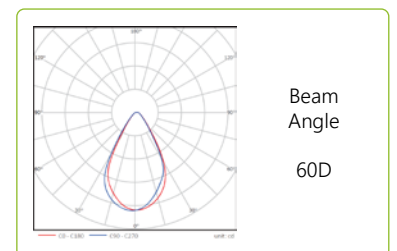
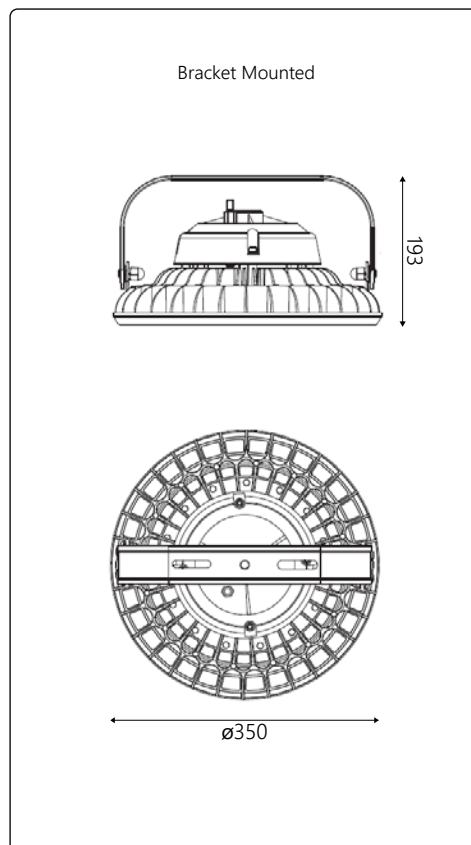
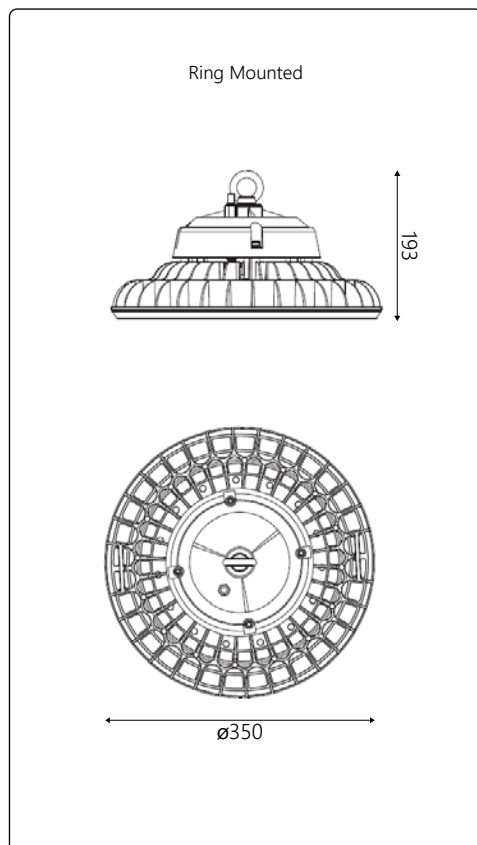
| Product Code | LED Output (lm) | LED Power (W) | Efficiency (lm/W) | Input Voltage | IP Rating | IK Rating | Net. Weight (kg) |
|----------------------------|-----------------|---------------|-------------------|---------------|-----------|-----------|------------------|
| LY-HB-AN3030A-100W-①-②-③-④ | 14000 | 100 | 140 | 100-240Vac | 65 | 08 | 5.2 |

CUSTOMIZABLE SPECIFICATIONS

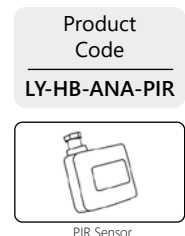
| ① Beam Angle | ② Colour Temperature | ③ Dimming | ④ Mounting Option |
|-----------------|--|--|---------------------------------------|
| 60D 110D | 30 (3000K) 40 (4000K) 50 (5000K) 60 (6000K) | ND (No Dimming) PWM PD (Potentiometer) D0 (0-10V) | BM (Bracket Mount) RM (Ring Mount) |

(Example Code Format: LY-HB-AN3030A-100W-60D-30-ND-BM)

DIMENSIONS (MM) & LIGHT DISTRIBUTION



ACCESSORIES



ANDROMEDA

High-Bay Lighting Series

Andromeda 3030 Beta



| | | | |
|------------------|---------------------|--|--|
| CRI 80 90 90+ | IP65 | 2-3step McAdam <small>(optional)</small> | OPERATION TEMP -20°C to 50°C! |
| 1-10V | Driver Included | Operating Hours > 100,000 | L70 > 50,000 Hours |
| IK08 | 5 Years warranty | RoHS | CE |

SPECIFICATIONS

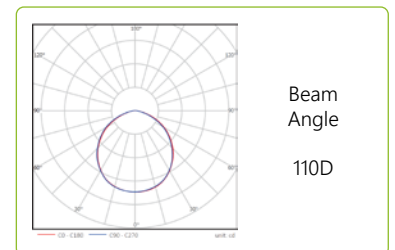
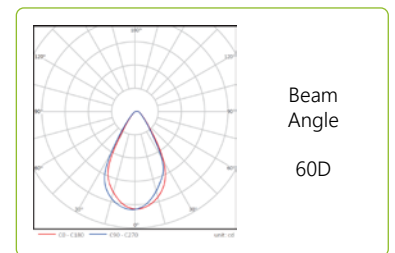
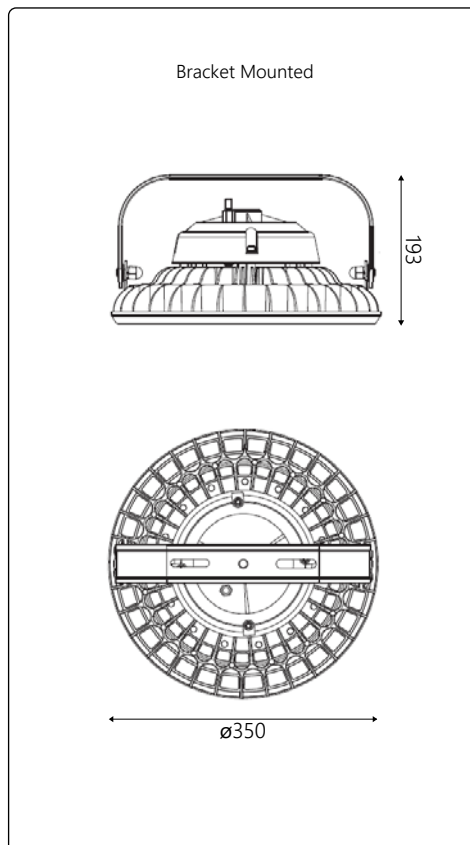
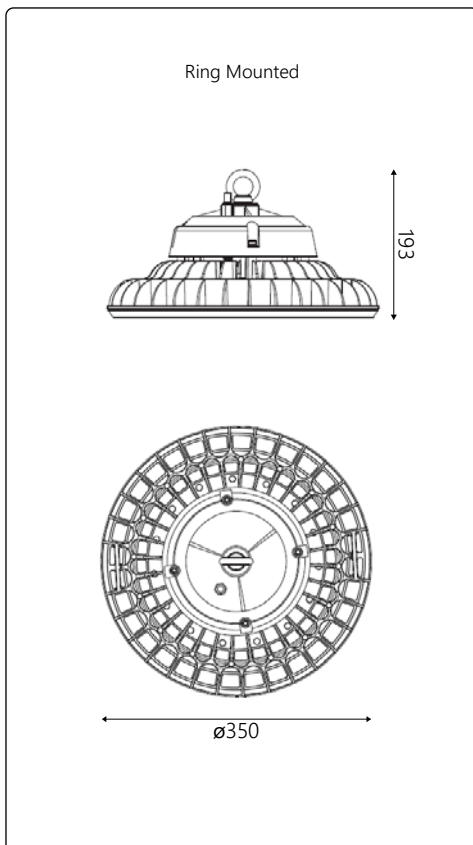
| Product Code | LED Output (lm) | LED Power (W) | Efficiency (lm/W) | Input Voltage | IP Rating | IK Rating | Net. Weight (kg) |
|----------------------------|-----------------|---------------|-------------------|---------------|-----------|-----------|------------------|
| LY-HB-AN3030B-160W-①-②-③-④ | 22400 | 160 | 140 | 100-240Vac | 65 | 08 | 6.0 |

CUSTOMIZABLE SPECIFICATIONS

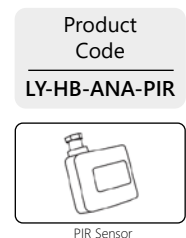
| ① Beam Angle | ② Colour Temperature | ③ Dimming | ④ Mounting Option |
|--------------|--|--|---------------------------------------|
| 60D 110D | 30 (3000K) 40 (4000K) 50 (5000K) 60 (6000K) | ND (No Dimming) PWM PD (Potentiometer) D0 (0-10V) | BM (Bracket Mount) RM (Ring Mount) |

(Example Code Format: LY-HB-AN3030B-160W-60D-30-ND-BM)

DIMENSIONS (MM) & LIGHT DISTRIBUTION



ACCESSORIES



ANDROMEDA

High-Bay Lighting Series

Andromeda 3030 Gamma



| | | | |
|------------------|---------------------|--|--|
| CRI 80 90 90+ | IP65 | 2-3step McAdam <small>(optional)</small> | OPERATION TEMP -20°C to 50°C! |
| 1-10V | Driver Included | Operating Hours > 100,000 | L70 > 50,000 Hours |
| IK08 | 5 Years warranty | RoHS | CE |

SPECIFICATIONS

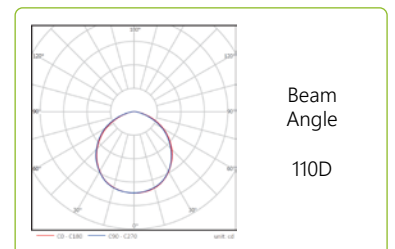
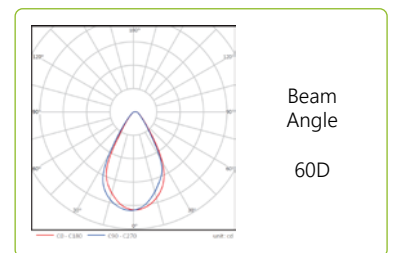
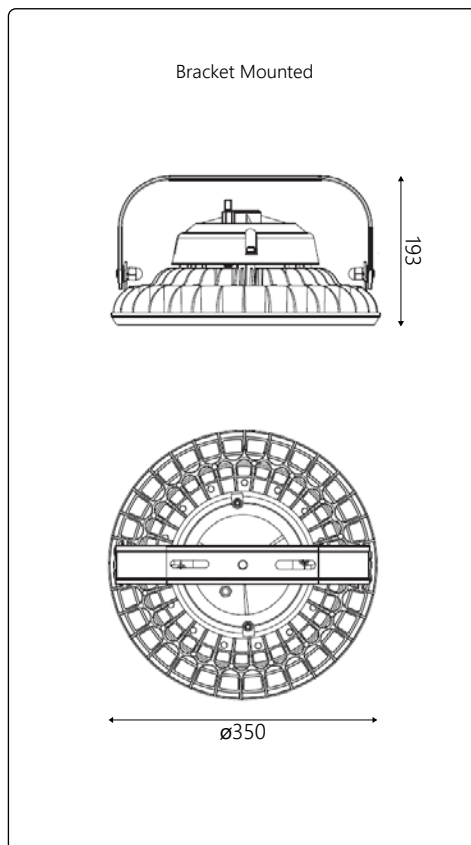
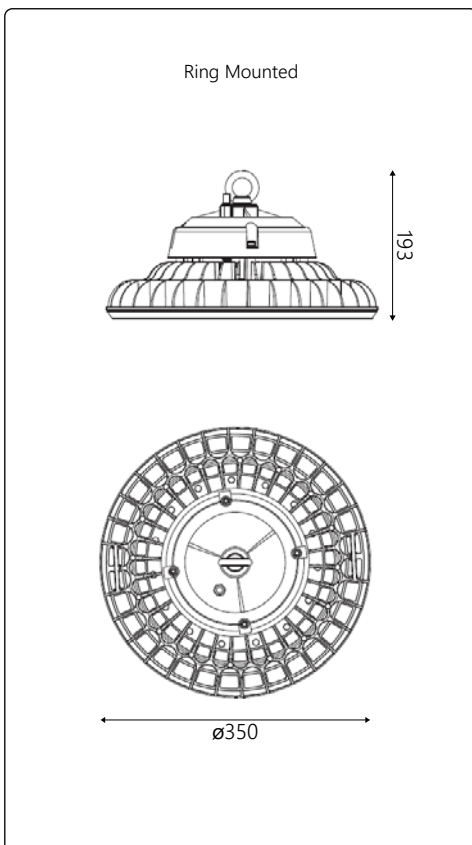
| Product Code | LED Output (lm) | LED Power (W) | Efficiency (lm/W) | Input Voltage | IP Rating | IK Rating | Net. Weight (kg) |
|----------------------------|-----------------|---------------|-------------------|---------------|-----------|-----------|------------------|
| LY-HB-AN3030G-200W-①-②-③-④ | 28000 | 200 | 140 | 100-240Vac | 65 | 08 | 6.0 |

CUSTOMIZABLE SPECIFICATIONS

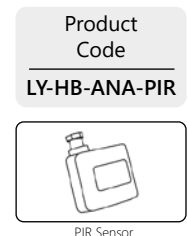
| ① Beam Angle | ② Colour Temperature | ③ Dimming | ④ Mounting Option |
|-----------------|--|--|---------------------------------------|
| 60D 110D | 30 (3000K) 40 (4000K) 50 (5000K) 60 (6000K) | ND (No Dimming) PWM PD (Potentiometer) D0 (0-10V) | BM (Bracket Mount) RM (Ring Mount) |

(Example Code Format: LY-HB-AN3030G-200W-60D-30-ND-BM)

DIMENSIONS (MM) & LIGHT DISTRIBUTION



ACCESSORIES



ANDROMEDA

High-Bay Lighting Series

Andromeda 5050 Alpha



| | | | |
|------------------|---------------------|--|--|
| CRI 80 90 90+ | IP65 | 2-3step McAdam <small>(optional)</small> | OPERATION TEMP -20°C to 50°C! |
| 1-10V | Driver Included | Operating Hours > 100,000 | L70 > 50,000 Hours |
| IK08 | 5 Years warranty | RoHS | CE |

SPECIFICATIONS

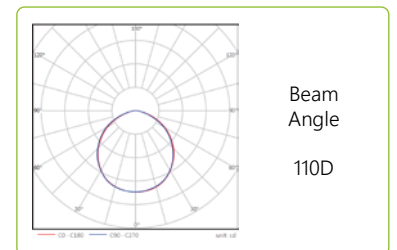
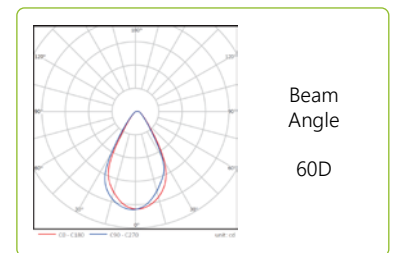
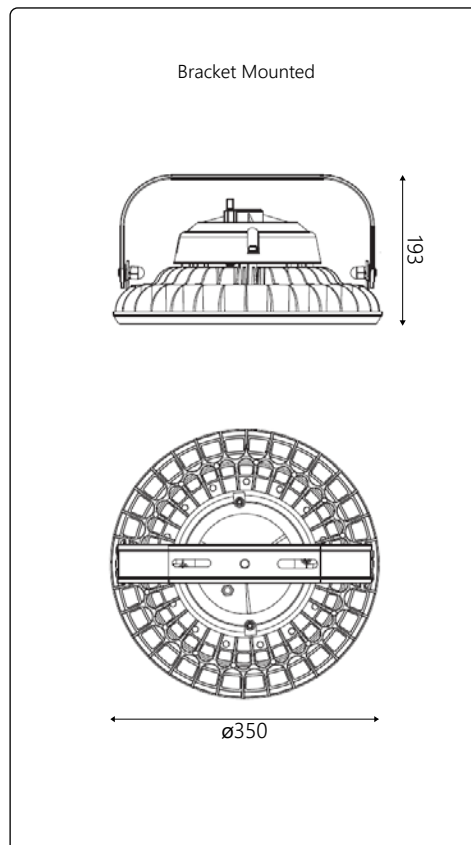
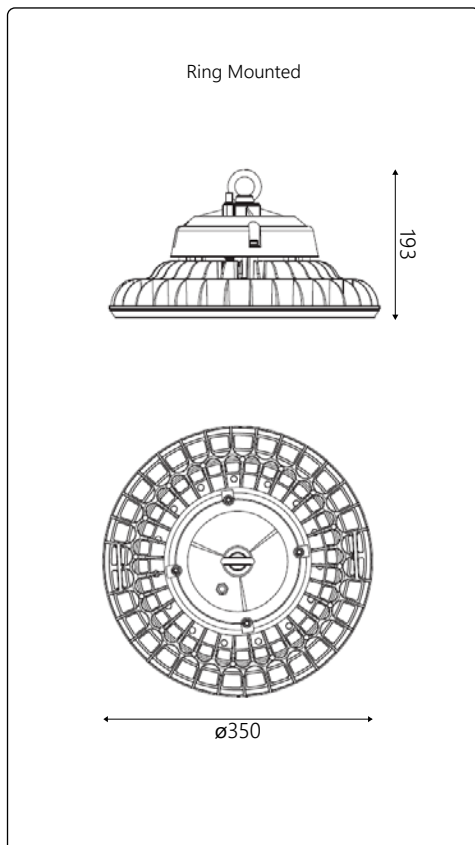
| Product Code | LED Output (lm) | LED Power (W) | Efficiency (lm/W) | Input Voltage | IP Rating | IK Rating | Net. Weight (kg) |
|----------------------------|-----------------|---------------|-------------------|---------------|-----------|-----------|------------------|
| LY-HB-AN5050A-100W-①-②-③-④ | 15500 | 100 | 155 | 100-240Vac | 65 | 08 | 5.2 |

CUSTOMIZABLE SPECIFICATIONS

| ① Beam Angle | ② Colour Temperature | ③ Dimming | ④ Mounting Option |
|--------------|--|--|---------------------------------------|
| 60D 110D | 30 (3000K) 40 (4000K) 50 (5000K) 60 (6000K) | ND (No Dimming) PWM PD (Potentiometer) D0 (0-10V) | BM (Bracket Mount) RM (Ring Mount) |

(Example Code Format: LY-HB-AN5050A-100W-60D-30-ND-BM)

DIMENSIONS (MM) & LIGHT DISTRIBUTION



ACCESSORIES

Product Code
LY-HB-ANA-PIR

PIR Sensor

ANDROMEDA

High-Bay Lighting Series

Andromeda 5050 Beta



| | | | |
|------------------|---------------------|--|--|
| CRI 80 90 90+ | IP65 | 2-3step McAdam <small>(optional)</small> | OPERATION TEMP -20°C to 50°C! |
| 1-10V | Driver Included | Operating Hours > 100,000 | L70 > 50,000 Hours |
| IK08 | 5 Years warranty | RoHS | CE |

SPECIFICATIONS

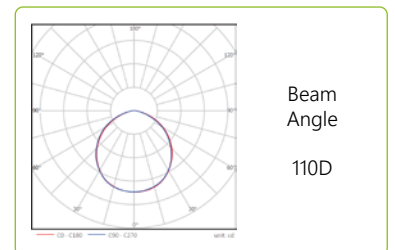
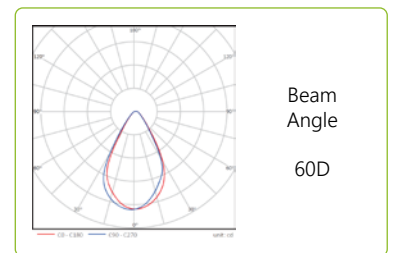
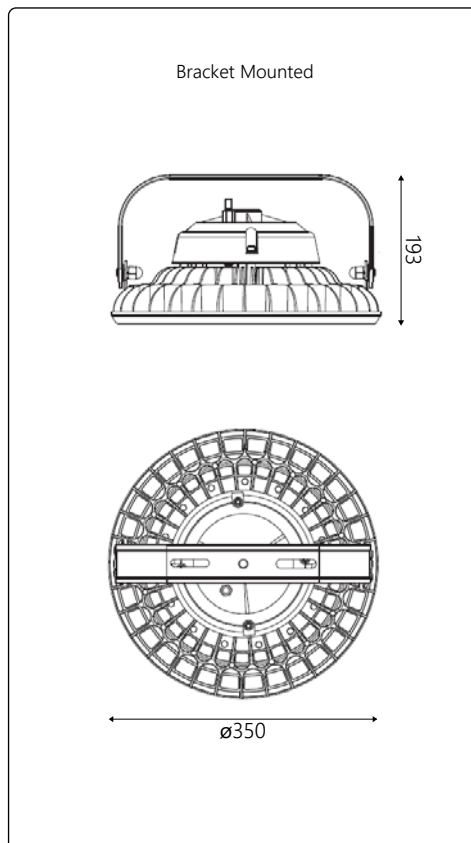
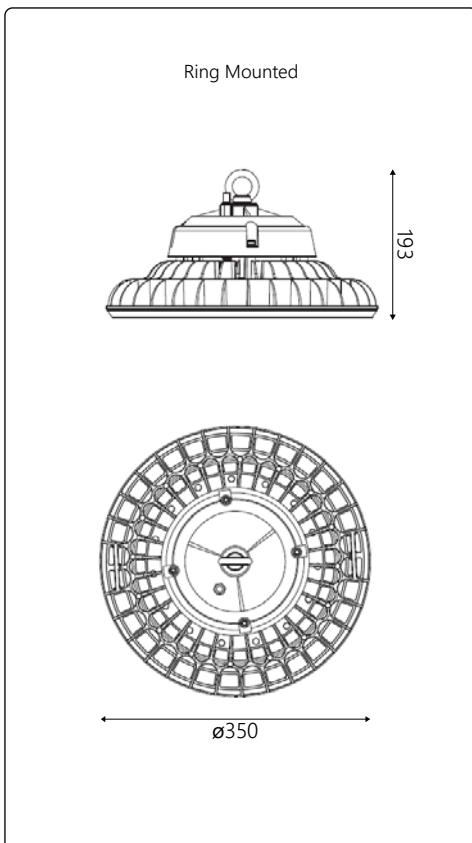
| Product Code | LED Output (lm) | LED Power (W) | Efficiency (lm/W) | Input Voltage | IP Rating | IK Rating | Net. Weight (kg) |
|----------------------------|-----------------|---------------|-------------------|---------------|-----------|-----------|------------------|
| LY-HB-AN5050B-160W-①-②-③-④ | 24800 | 160 | 155 | 100-240Vac | 65 | 08 | 6.0 |

CUSTOMIZABLE SPECIFICATIONS

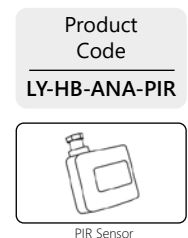
| ① Beam Angle | ② Colour Temperature | ③ Dimming | ④ Mounting Option |
|--------------|--|--|---------------------------------------|
| 60D 110D | 30 (3000K) 40 (4000K) 50 (5000K) 60 (6000K) | ND (No Dimming) PWM PD (Potentiometer) D0 (0-10V) | BM (Bracket Mount) RM (Ring Mount) |

(Example Code Format: LY-HB-AN5050B-160W-60D-30-ND-BM)

DIMENSIONS (MM) & LIGHT DISTRIBUTION



ACCESSORIES



ANDROMEDA

High-Bay Lighting Series

Andromeda 5050 Gamma



| | | | |
|------------------|---------------------|--|--|
| CRI 80 90 90+ | IP65 | 2-3step McAdam <small>(optional)</small> | OPERATION TEMP -20°C to 50°C! |
| 1-10V | Driver Included | Operating Hours > 100,000 | L70 > 50,000 Hours |
| IK08 | 5 Years warranty | RoHS | CE |

SPECIFICATIONS

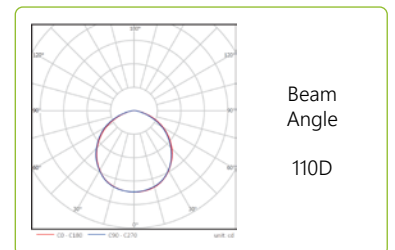
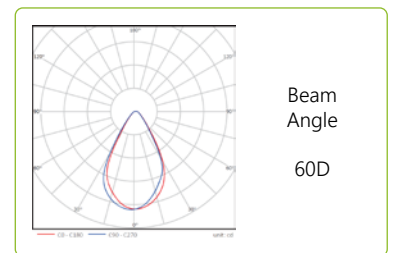
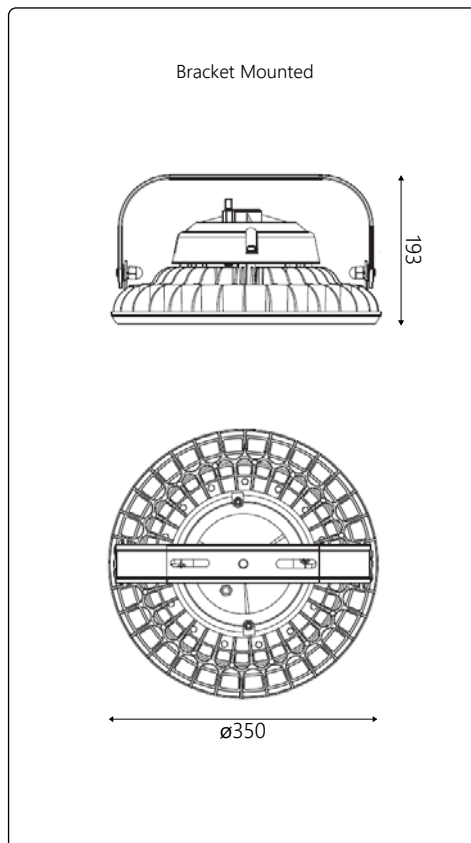
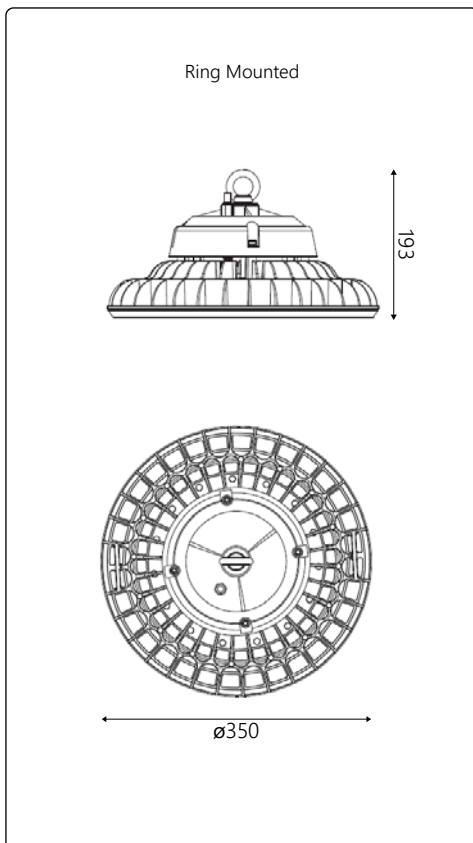
| Product Code | LED Output (lm) | LED Power (W) | Efficiency (lm/W) | Input Voltage | IP Rating | IK Rating | Net. Weight (kg) |
|----------------------------|-----------------|---------------|-------------------|---------------|-----------|-----------|------------------|
| LY-HB-AN5050G-200W-①-②-③-④ | 31000 | 200 | 155 | 100-240Vac | 65 | 08 | 6.0 |

CUSTOMIZABLE SPECIFICATIONS

| ① Beam Angle | ② Colour Temperature | ③ Dimming | ④ Mounting Option |
|--------------|--|--|---------------------------------------|
| 60D 110D | 30 (3000K) 40 (4000K) 50 (5000K) 60 (6000K) | ND (No Dimming) PWM PD (Potentiometer) D0 (0-10V) | BM (Bracket Mount) RM (Ring Mount) |

(Example Code Format: LY-HB-AN5050G-200W-60D-30-ND-BM)

DIMENSIONS (MM) & LIGHT DISTRIBUTION



ACCESSORIES

